

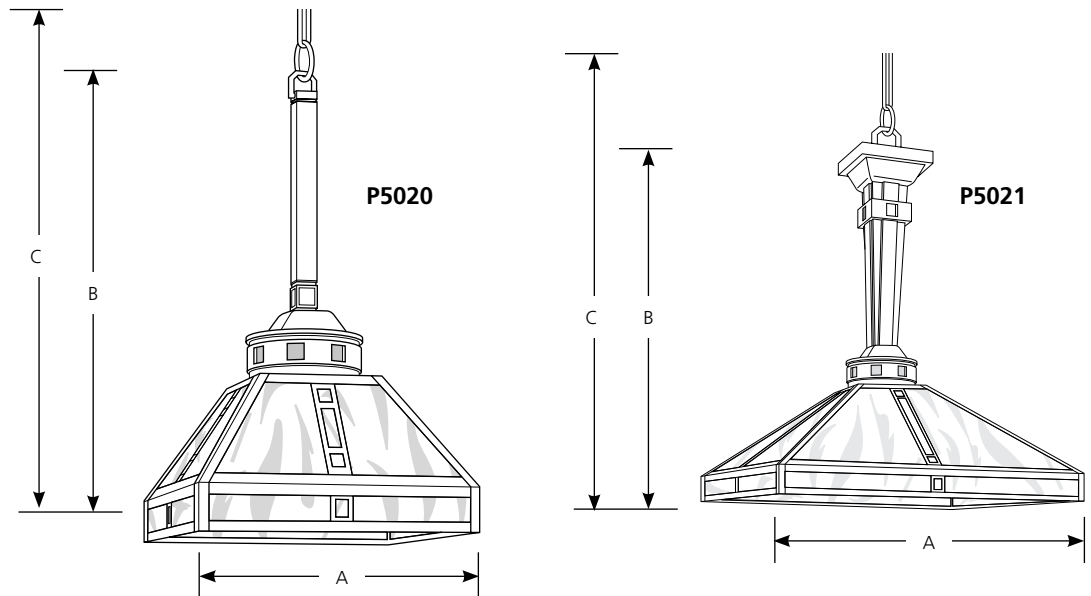
Type _____

-46

P5020

P5021

Catalog No.	Finish Weathered Bronze	Lamping	Dimensions (Inches)		
			A	B	C
P5020	-46	1 (m) 100w	8-1/2	27-3/4	52
P5021	-46	1 (m) 150w	16	18-3/4	56



Specifications:

General

- Hand painted finish with gold highlights
- Unique Mission styling
- Die cast square canopy
- Honey Art glass replaceable
- Honey Art glass accent panels in socket cup
- P5020: 8" bottom width, 3-5/8" top width, 4" ht. (large panel); 8-1/8" x 1" (small panel); 3" dia. x 1-3/16" ht. (round glass)
- P5021: 15-1/8" bottom width, 3-3/4" top width, 7-1/2" ht. (large panel); 15-5/8" x 1-1/8" ht. (small panel); 3" dia. x 1-3/16" (round panel)
- Detailed cast column (P5021)
- Detailed cast components
- 3 feet of 9 gauge elongated chain pattern (P5021)

- 18" stem with 3 feet chain (P5020)
- Companion fixtures: chandelier, close-to-ceiling, wall bracket, hall & foyer, bath & vanity - Fluorescent & Incandescent, accessories

Mounting

- Canopy 5-1/2" sq.
- Chain-hung ceiling mount
- Covers outlet box
- Mounting strap for outlet box included

Electrical

- 15 feet of wire
- Threaded ceramic sockets with locking ring to secure glass & frame
- Pre-wired

Labeling

- UL-CUL listed

Progress Lighting
701 Millennium Blvd.
Greenville, South Carolina
29607