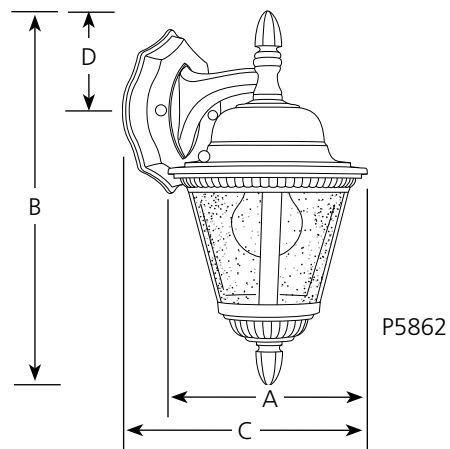


	Type _____		
	-20	-30	-31
P5862	<input type="checkbox"/>	<input type="checkbox"/>	<input type="checkbox"/>
P5863	<input type="checkbox"/>	<input type="checkbox"/>	<input type="checkbox"/>
P5864	<input type="checkbox"/>	<input type="checkbox"/>	<input type="checkbox"/>

Catalog No.	Finish			Lamping	Dimensions (Inches)			
	Antique Bronze	White	Black		A	B	C	D
P5862	-20	-30	-31	1 (m) 60w	6-7/8	12-3/4	8-3/8	3-1/8
P5863	-20	-30	-31	1 (m) 100w	9	16	10-3/8	3-1/2
P5864	-20	-30	-31	2 (c) 60w	11	19-1/4	12-7/8	4-5/8



**Specifications:**

General

- Clear seeded glass:  
For P5862 - 5" dia. x 4-1/4" ht  
For P5863 - 7" dia. x 5-3/4" ht.  
For P5864 - 8-1/2" dia. x 7" ht.
- Ribbed details with ribbed finials
- Die cast aluminum construction
- Painted finishes
- Companion post top, and chain mounted units are available


Mounting

- Wall mount
- Wall bracket covers a standard recessed 4" hexagonal outlet box
- Mounting strap included
- Canopy:  
P5862 - 4-1/2" x 6-1/8" x 1"  
P5863 - 5-1/4" x 6-3/4" x 1"  
P5864 - 6-3/4" x 9-1/4" x 1"

Electrical

- P5862 and P5863 have ceramic medium based sockets
- P5864 has phenolic candelabra based sockets
- Pre-wired

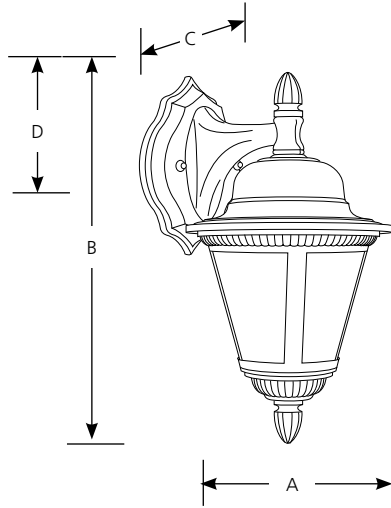
Labeling

-  US wet location listed

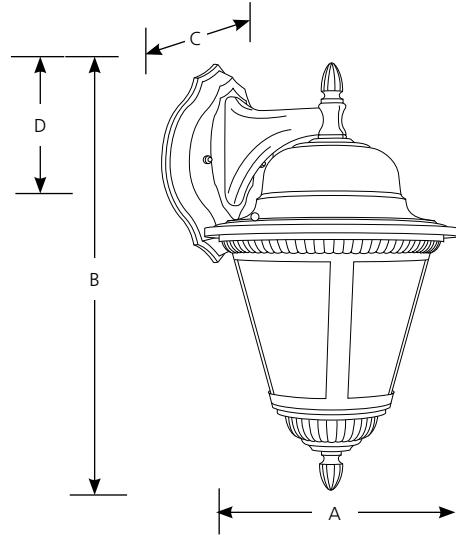
Energy Star compliant

Type	-20WB	-31WB
P5862	<input type="checkbox"/>	<input type="checkbox"/>
P5863	<input type="checkbox"/>	<input type="checkbox"/>
P5864	<input type="checkbox"/>	<input type="checkbox"/>

Catalog No.	Finish		Lamping (Included)	Dimensions (Inches)			
	Antique Bronze	Black		A	B	C	D
P5862	-20WB	-31WB	1-13w CFL	6-7/8	12-3/4	8-3/8	3-1/4
P5863	-20WB	-31WB	1-13w CFL	9	16	10-3/8	3-1/2
P5864	-20WB	-31WB	1-18w CFL	11	19-1/4	12-7/8	4-5/8



P5862



P5864

**Specifications:**

General

- Seeded frosted glass.  
P5862 - 5" dia. x 4-1/4" ht.  
P5863 - 7" dia. x 5-3/4" ht.  
P5864 - 8-1/2" dia. x 7" ht.
- Beaded details with ribbed finials
- Die cast aluminum construction
- Painted finishes
- Energy Star Certified
- Companion post top, chain mounted and flush units

Mounting

- Wall mount
- Wall bracket covers a standard recessed 4" octagonal outlet box
- Mounting strap included
- Canopy:  
P5862 - 4-1/2" x 6-1/8" x 1"  
P5863 - 5-1/4" x 6-3/4" x 1"  
P5864 - 6-3/4" x 9-1/4" x 1"

Electrical

- GU24 based socket
- Pre-wired

Labeling

- US wet location listed

