



Fluorescent

Standard

Undercabinet

White Diffuser

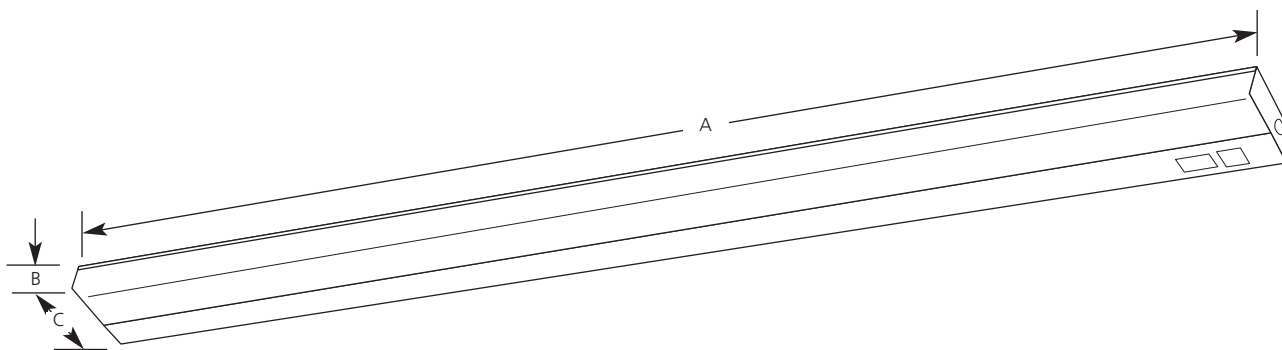
Standard Ballast

Type \_\_\_\_\_

-30

P7009

Catalog No.	Finish	Lamping	Dimensions (Inches)		
	White		A	B	C
P7009	-30	F40 or F34T12	48	1-3/4	5-1/4



**Specifications:**

General

- Trim, energy efficient fluorescent
- White baked enamel housing
- White acrylic diffuser: 47-15/16" L x 2-5/8" W x 1-9/32" D
- Diffuser snaps securely into place without the use of tools
- Steel chassis and ballast cover

Electrical

- Standard 120V NPF ballast
- K.O. for rocker switch (P8603-01 accessory) and G.C.O. (P8608-30 accessory)

Labeling

- UL-CUL damp location listed

Mounting

- End KO's for continuous row mounting

Progress Lighting  
701 Millennium Blvd.  
Greenville, South Carolina  
29607

www.progresslighting.com

Rev. 7/09



Fluorescent

**Standard**

**Undercabinet**

White Diffuser

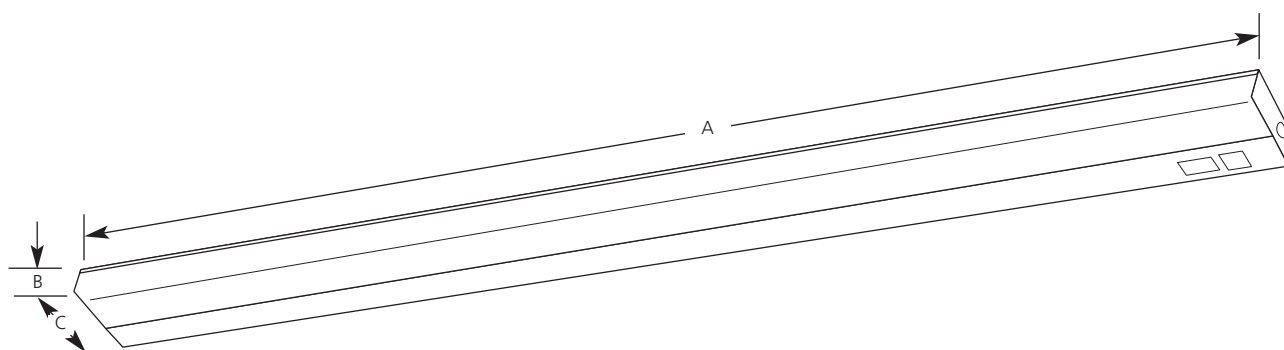
Electronic Ballast

Type \_\_\_\_\_

-30EB

P7009

Catalog No.	Finish	Lamping	Dimensions (Inches)		
	White		A	B	C
P7009	-30EB	F32T8	48	1-3/4	5-1/4



**Specifications:**

General

- Trim, energy efficient fluorescent
- White baked enamel housing
- White acrylic diffuser: 47-15/16" L x 2-5/8" W x 1-9/32" D
- Diffuser snaps securely into place without the use of tools
- Steel chassis and ballast cover

Electrical

- Electronic 120/277V HPF ballast
- K.O. for rocker switch (P8603-01 accessory) and G.C.O. (P8608-30 accessory)

Labeling

- UL-CUL damp location listed

Mounting

- End KO's for continuous row mounting

Progress Lighting  
701 Millennium Blvd.  
Greenville, South Carolina  
29607

www.progresslighting.com

Rev. 7/09