



Palladian Shower Package

ROHL Transitional Palladian

AKIT93LM

FEATURES

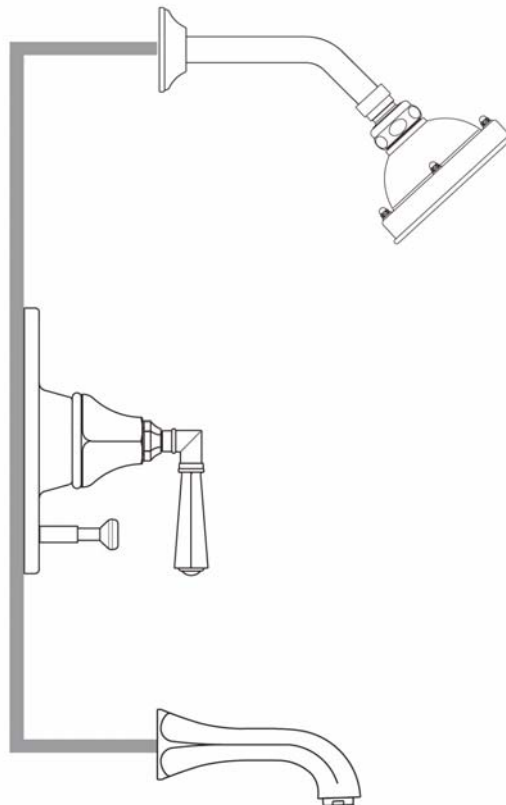
- Shower package components:
 - A2900 – Pressure Balance Trim
 - 1440/6 – Shower Arm
 - B100701 – Showerhead
 - A1803 – Tub Spout
- **To complete package, rough valve must be ordered separately:**
 - **RMV-2 – Pressure Balance Rough**

COLORS/FINISHES

- Polished Chrome
- Polished Nickel
- Satin Nickel
- Tuscan Brass

WARRANTY

- See individual component specs for warranty





Palladian Pressure Balance Trim With Diverter

ROHL Transitional Palladian

A2900LM (Metal Lever)

A2900XM (Cross Handle)

FEATURES

- Single lever control
- Coverplate, dome, and handle made from solid brass
- Trim for concealed pressure balance shower and bath valve
- **To complete package order #RMV-2 rough valve**

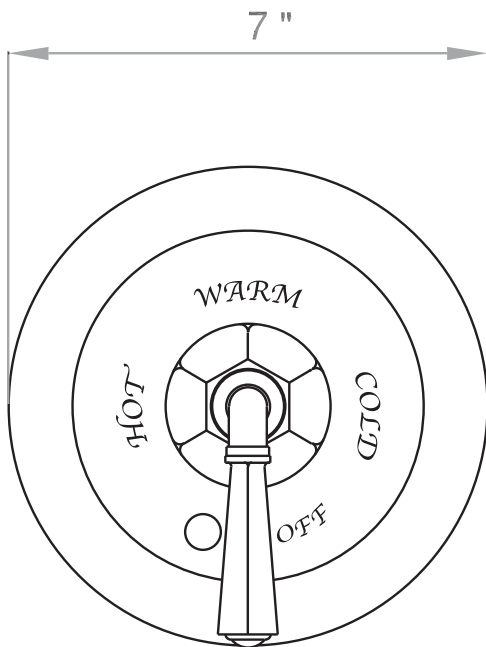
COLORS/FINISHES

- Polished Chrome
- Polished Nickel
- Satin Nickel
- Tuscan Brass
- Inca Brass

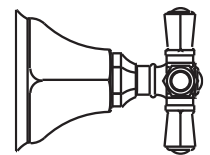
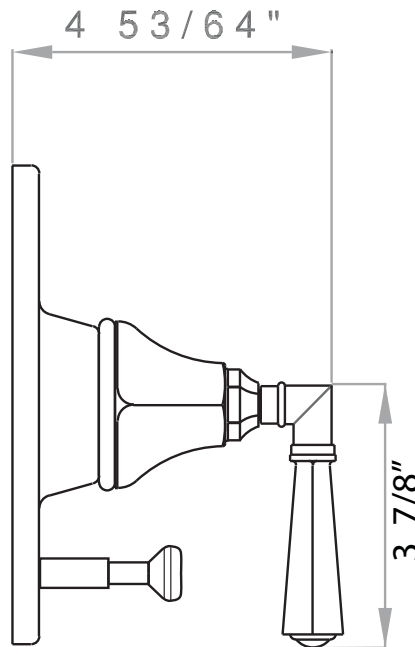
WARRANTY

- Limited Lifetime*

* No Warranty on Tuscan Brass Finish



A2900LM

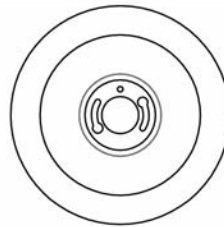


A2900XM

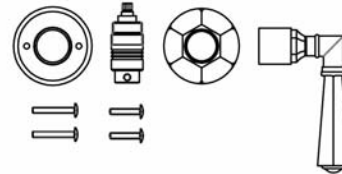
A2900 Spare Parts and Installation Instructions

IMPORTANT:

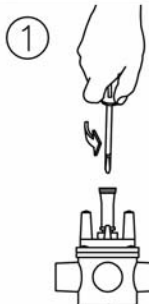
ROUGH AND TRIM MUST BE PURCHASED SEPARATELY. PLEASE NOTE THE HANDLE PIECES ARE ASSEMBLED IN THE BOX. YOU MUST DISASSEMBLE FOR INSTALLATION (SEE DRAWING).



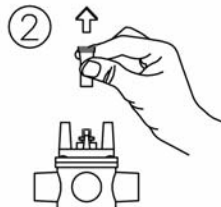
C7605/4 C7605/3 C7243/1 C7605



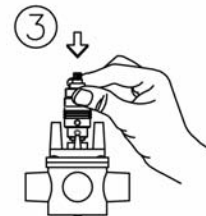
ASSEMBLING INSTRUCTIONS



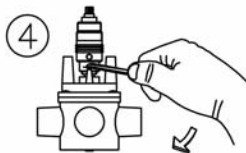
UNSCREW THE ADAPTER'S SCREW



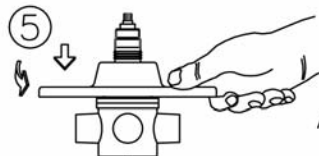
REMOVE THE ADAPTER, BUT LEAVE THE CAM STOP 1403-0696 IN PLACE (NOT PICTURED)



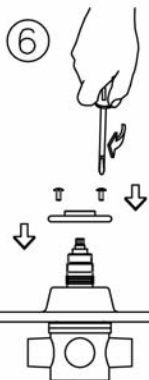
INSERT THE NEW ADAPTER FOR A7605 (PLEASE SEE UNDER THE "WALL LIMITS NOTE")



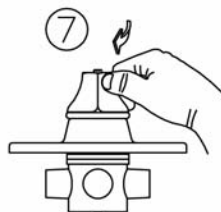
SCREW THE ADAPTER'S DOWEL TIGHTEN THE ADAPTER ONTO THE SPINDLE WITH A 3 mm. ALLEN KEY (NOT INCLUDED)



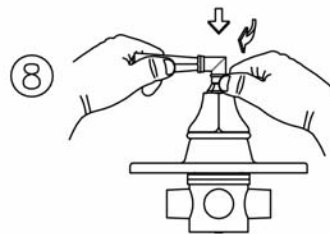
PLACE THE EXTERNAL PLATE PLEASE NOTE, THE ADAPTER HAS A VARIABLE LENGTH TO ADJUST FOR THE VALVE DEPTH. FIT THE PLATE, AND SCREW THE ADAPTER OUT TO EXPOSE THE 3 O-RINGS. ADJUST THE DEPTH AS NEEDED; THEN TIGHTEN WITH 3mm. ALLEN KEY



PLACE THE ADAPTER'S RING AND FIX IT WITH THE SCREWS



SCREW THE HEXAGONAL CAP HAVING CARE TO UNSCREW 1/4 TURN TO THE END



INSERT THE HANDLE AND FIX IT SCREWING THE HEXAGONAL COVER VALVE ATTENTION: BE SURE THAT THE HANDLE HAS NO PLAY UNSCREW THE CAP JUST TO GET IN TOUCH WITH THE COVER VALVE

WALL LIMITS NOTE

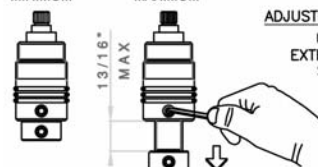
FINISHED WALL LIMITS (TEMPRESS TEMPLATE INDICATION)

MINIMUM

MAXIMUM

ADJUSTING THE ADAPTER LENGTH

UNSCREW THE DOWEL EXTRACT THE LOWER PART SCREW THE DOWEL



ATTENTION : ENSURE ALL PARTS ARE FIRMLY TIGHTENED



Retro Jet Showerhead

ROHL Shower Collection

B100700 (9" Spray Area)

B100701 (6" Spray Area)

FEATURES

- Single function classic spray pattern
- Flexible spray nozzles allow for easy removal of hard water build-up
- 1/2" female inlet with swivel connection
- Restricted to 2.5 GPM

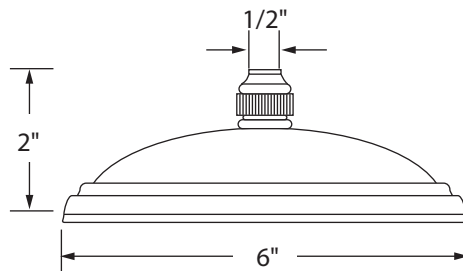
COLORS/FINISHES

- Polished Chrome
- Polished Nickel
- Satin Nickel
- Tuscan Brass

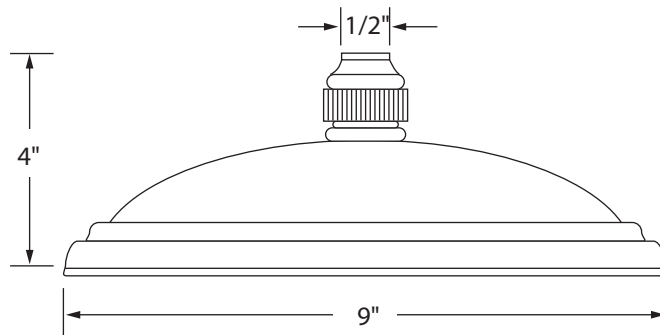
WARRANTY

- 2 Years on manufacturer defects*

* No Warranty on Tuscan Brass Finish (TCB)



B100701



B100700



Hex and Palladian Wall Mount Tub Filler Spout

Rohl Country Bath Collection

A1803

FEATURES

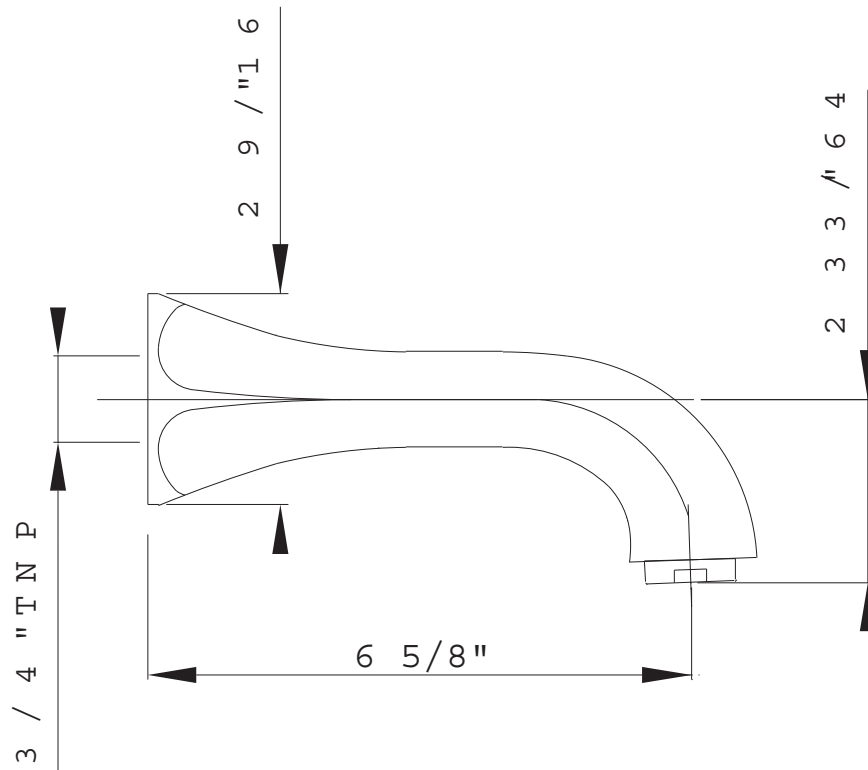
- Art Deco Design Hex spout, also coordinates with Palladian
- 6 11/32" reach
- 3/4" female NPT inlet
- Solid brass construction
- If 1/2" required, you may purchase a 3/4" x 1/2" nipple at any hardware store

COLORS/FINISHES

- Polished Chrome
- Polished Nickel
- Satin Nickel
- Tuscan Brass
- Inca Brass

WARRANTY

- Limited lifetime*
- * No Warranty on Tuscan Brass Finish (TCB)





Shower Arm

ROHL Shower Collection

1440/6 6" Shower Arm

1440/8 8" Shower Arm

FEATURES

- Brass construction
- Sliding escutcheon
- 1/2" male thread inlet supply
- 1/2" male thread outlet supply

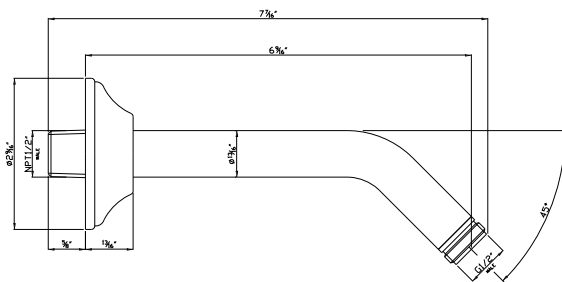
COLORS/FINISHES

- Polished Chrome
- Polished Nickel
- Satin Nickel
- Tuscan Brass
- Inca Brass
- Old Iron

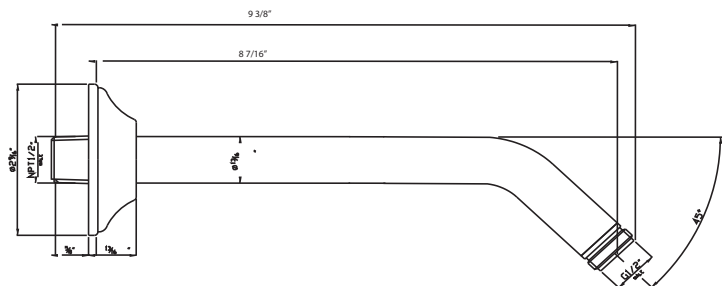
WARRANTY

- 2 years on manufacturer defects*

* No Warranty On Tuscan Brass Finish (TCB)



1440/6



1440/8