

IMPORTANT SAFETY INSTRUCTIONS

- Be sure the electricity to the system you are working on is turned off; either the fuse removed or the circuit breaker set at off.
- Use of other manufacturers components will void warranty, listing and create a potential safety hazard.
- If you are unclear as to how to proceed, contact a qualified electrician.
- You don't need special tools to install this fixture.
- Be sure to follow the steps in the order given.
- Under no circumstances should a fixture be hung on house electrical wires, nor should a swag type fixture be installed on a ceiling which contains a radiant type heating system.
- Read instructions carefully.
- Save these instructions.

CLEANING

To clean, wipe fixture with a soft cloth. Clean glass with a mild soap. Do not use abrasive materials such as scouring pads or powders, steel wool or abrasive paper.

ORDERING PARTS

Keep this sheet for future reference, and in case you need to order replacement parts. Parts for this fixture can be ordered from place of purchase. Be sure to use exact wording from illustration when ordering parts.

BEFORE YOU BEGIN

Carefully remove the fixture from the carton and check that all parts are included, as shown in figure 1 and 2. Be careful not to misplace any of the screws or parts which are needed to install this fixture.

INSTALLATION

STEP 1:

Run fixture mounting screws (B) through holes in universal mounting plate (A) all the way down to their heads.

STEP 2:

Using outlet box screws (not supplied) fasten universal mounting plate (A) to outlet box through slots in universal mounting plate (A). Be sure fixture mounting screws (B) are perfectly horizontal so fixture hangs straight.

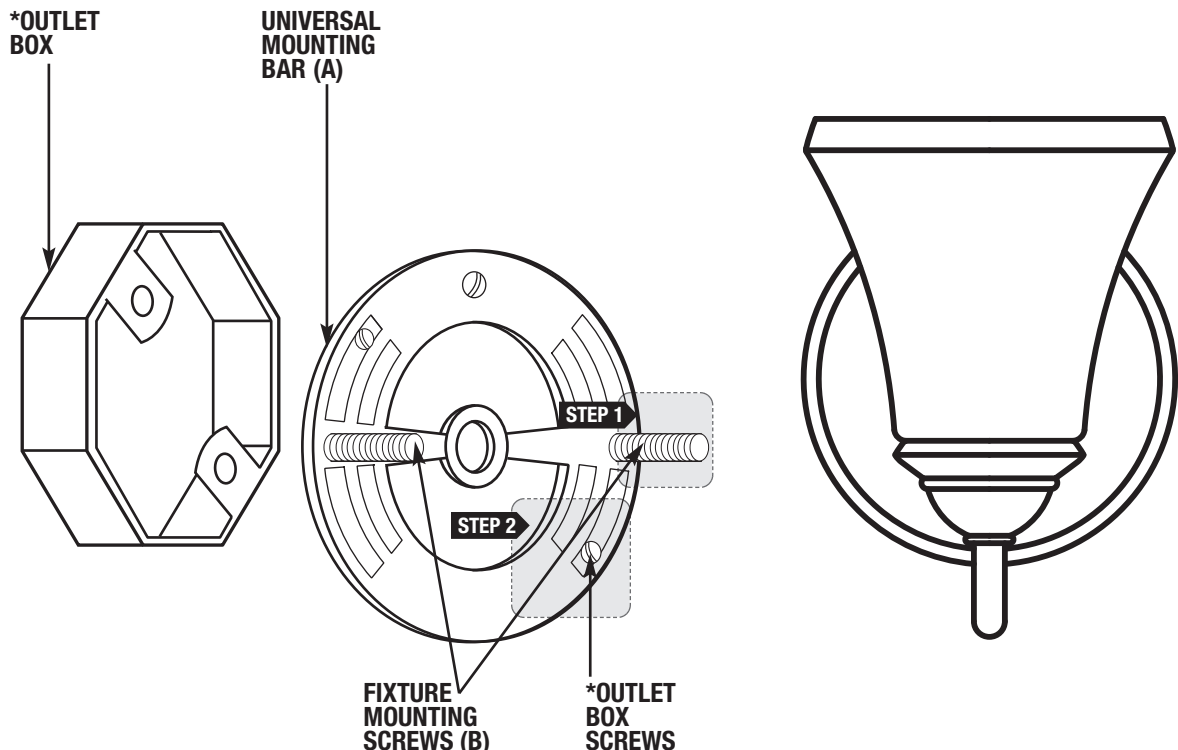


FIGURE 1

*NOT INCLUDED

STEP 3:

- A. Use a listed wire connector to connect the fixture hot wire (black wire, or round and smooth tracer) to the supply hot wire.
- B. Use a listed wire connector to connect the fixture common wire (white wire, or square and rigid) to the supply common wire.
- C. Gently try to remove the wires from the connector. If you can remove the wires, carefully re-do the wiring connection.

STEP 4:

GROUNDING INSTRUCTIONS:

Connect the supply ground wire, fixture ground wire, and mounting plate ground wire (pre attached) using the supplied wiring connector. Gently try to remove the wires from the connector. If you can remove the wires, carefully re-do the wiring connection.

STEP 5:

Make sure no bare wires can be seen outside wire connectors.

STEP 6:

After wires are connected, tuck them carefully inside outlet box. Push the canopy (C) firmly over the fixture mounting screws (B) and against the wall. Secure canopy (C) in place by threading cap nuts (D) to fixture mounting screws (B).

STEP 7:

Place glass (E) onto socket and secure in place by threading retaining ring (F) to socket.

STEP 8:

Install lamp (not supplied).

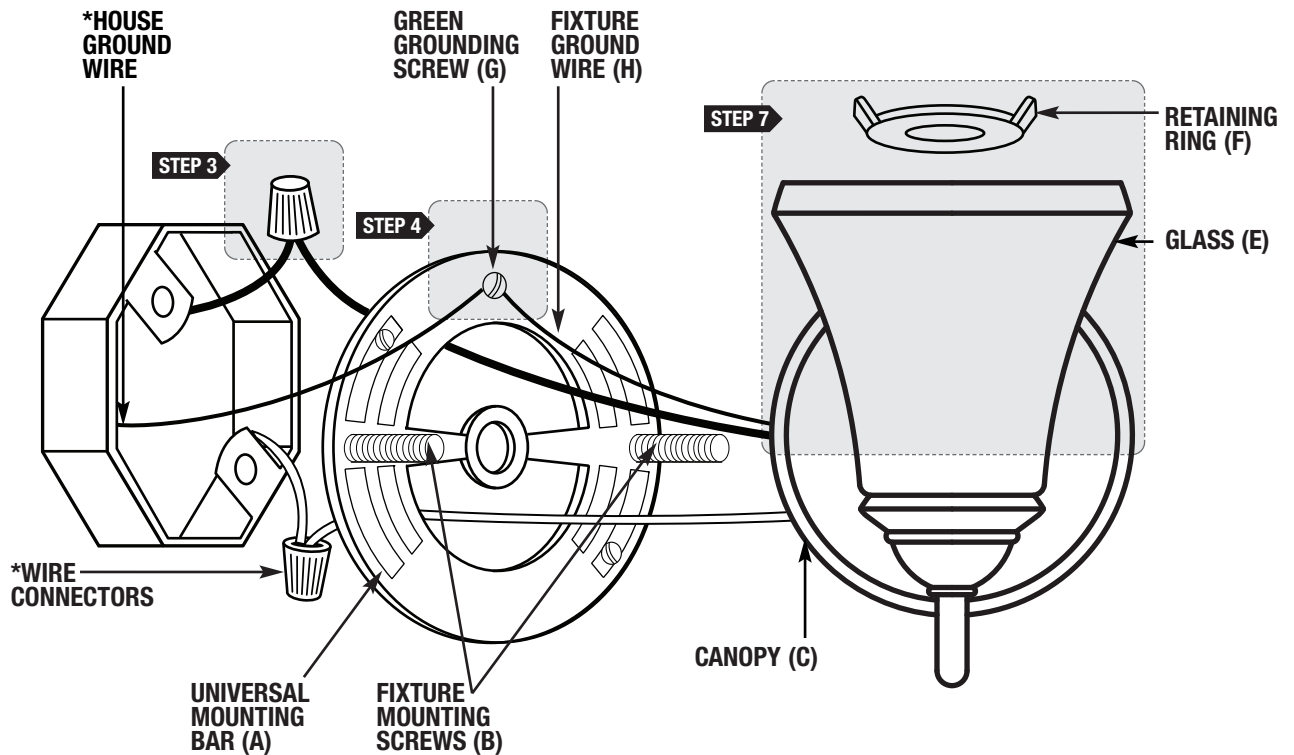


FIGURE 2

*NOT INCLUDED