

INSTALLATION AND SAFETY INSTRUCTIONS HC-670

U.S. PAT. # 5,465,199

INSTRUCTIONS FOR INSTALLATION OF THE AMBIANCE STARTER SET 9888/9889/9890

WARNING: Be sure the electricity to the wires you are working on is shut off; either the fuse removed or the circuit breaker off.

CAUTION: TO PREVENT THE RISK OF FIRE, DO NOT INSTALL CLOSER THAN 2" TO CABINET WALL OR IN A COMPARTMENT SMALLER THAN 6" X 6" X 22".

TRANSFORMER INSTALLATION (FIGURE 1)

Select the desired location to mount transformer (not in contact with insulation and away from oven or any other source of intense heat, including other transformers).

Use screws to mount transformer to surface. Transformer can be mounted in any direction. The wattage load on each output must be a minimum of 15w for the transformer to operate, but must not exceed 60w.

NOTE: (If Applicable). The transformer has an 8 foot 120 volt cord with a plug molded at the end (FIGURE 1). If you require the length of the 120 volt cord to be shorter, cut and discard the excess 120 volt cord with molded plug. Follow the instructions below on how to install 120 volt quick-connect plug.

INSTALLATION OF 120V QUICK-CONNECT PLUG

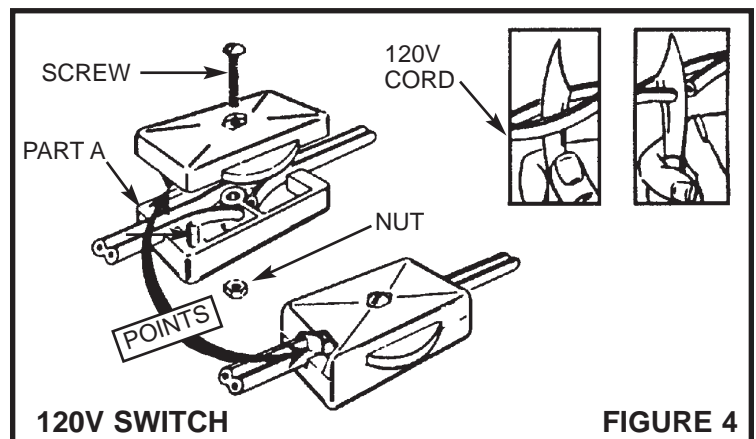
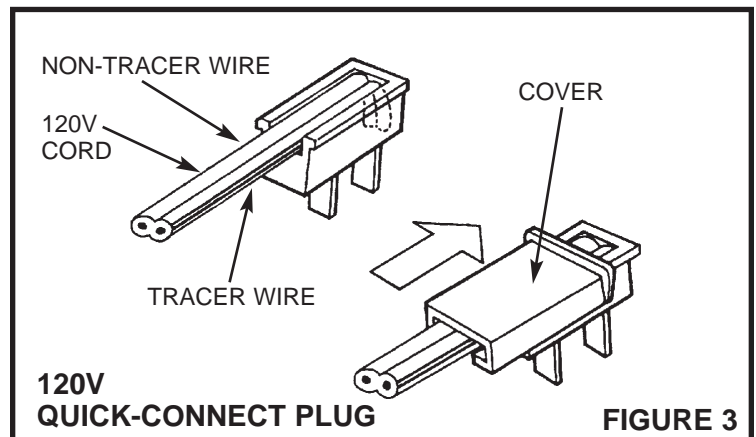
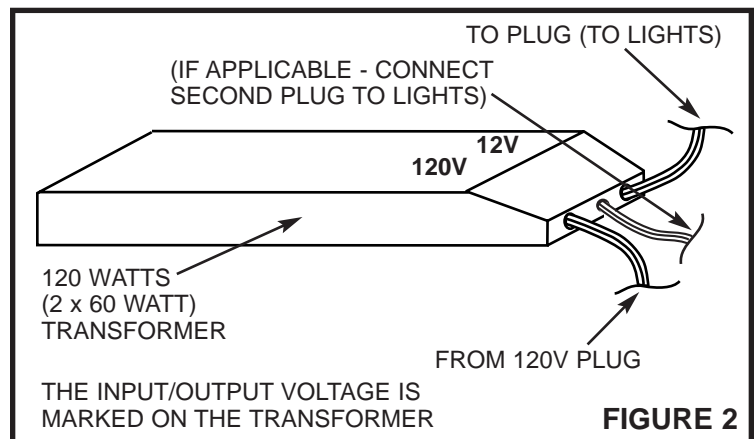
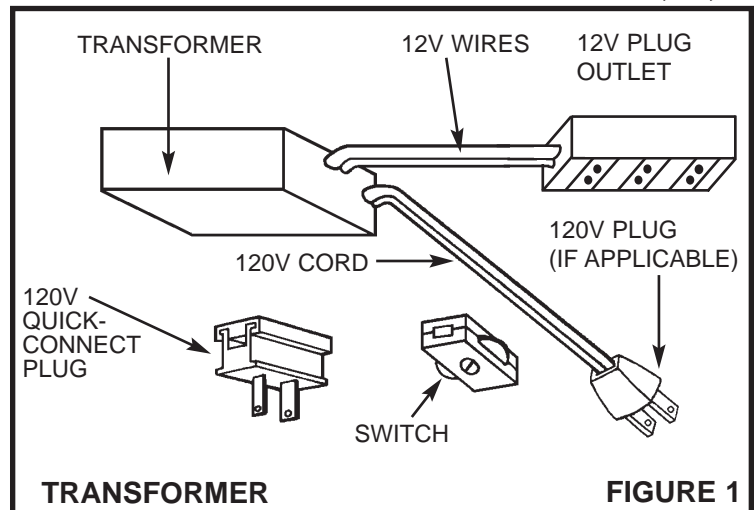
1. Cut off end of 120v cord cleanly and evenly. **CAUTION: Do not separate wires. Do not remove or damage insulation (Figure 3)**
2. Press cord, with ridged side to the right (tracer wire), down and into front of plug.
3. Press cord down onto metal prongs.
4. Slide plug cover over cord and plug until plug cover is centered over plug.

INSTALLING SWITCH ON 120V CORD

NOTE: Switch must be mounted a least 1 1/2" away from any metal parts.

NOTE: When parallel wire (SPT I and SPT II) is used, the tracer wire is square shaped or ridged and the non-tracer wire is round in shape or smooth (seen best when viewed from wire end).

1. Split 120v cord as illustrated (FIGURE 4). Cut the non-tracer (or smooth) wire. Be sure to cut only the smooth non-tracer wire.
2. Remove the screw from the switch and take the switch apart.
3. Place the wires in part A (without the wheel) as shown. Tuck the cut wire down one end on each side of the barrier.
4. Press both halves of the switch back together. Note that the points pierce insulation to make contact with copper inside wire.
5. Place screw back into center hole and secure in place with nut.



TO INSTALL DISK LIGHTS

HC-670

SURFACE MOUNTING

1. Secure surface mount ring to surface by marking hole location on surface and screw surface mount ring to surface making sure surface mount ring does not flex out of round.
2. Drill wire exit hole in surface or run wire thru notch in surface mount ring.
3. Run the wires from disk lights to transformer plug outlet (Figure 6). Line up retaining springs on fixture housing with grooves in surface mount ring and press fixture housing into surface mount ring. Insert lamp(s) (18w max.).

RECESS MOUNTING

1. Drill a 2 3/4" dia. hole in surface (Figure 7).
2. Press fixture housing into 2 3/4" dia. hole.
3. Insert lamp(s) (18w max.).

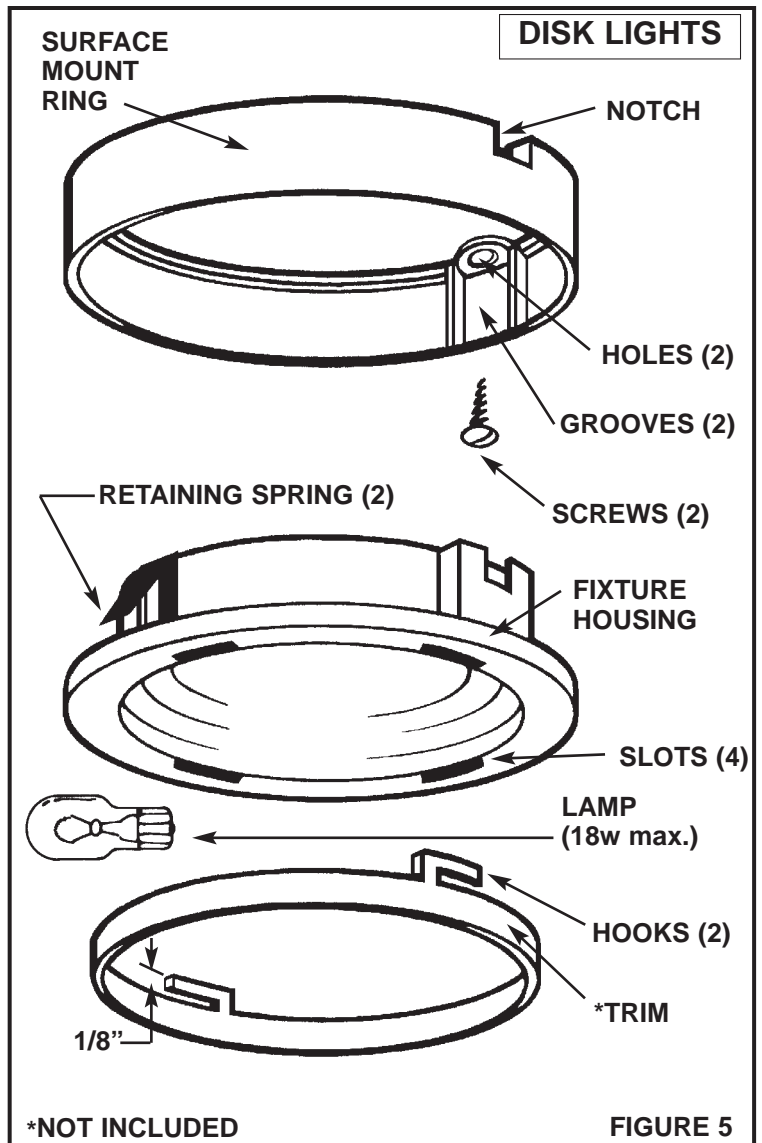
FINAL INSTALLATION

FROM DISK LIGHTS:

Insert disc light plug (one from each disk light) into transformer plug outlet.

TRIM INSTALLATION

1. Secure trim (not included) to fixture housing by inserting hooks, on trim, into two of the four slots in fixture housing and twist clockwise until trim snaps in place. Bend hooks up slightly (max. 1/8") if trim is too hard to turn and lock into position on housing.



NOTE: As with all electronic transformers there's a potential for Radio Frequency Interference (R.F.I.).

To reduce R.F.I., rotate the electronic transformer in relation to the input line, or switch to a magnetic transformer.

WARNING: Use of other manufacturers components will void warranty, U.L. listing and create a potential safety hazard.

IMPORTANT SAFETY INSTRUCTIONS

This starter kit has a polarized plug (one blade is wider than the other). As a safety feature, this plug will fit in a polarized outlet only one way. If the plug does not fit fully in the outlet, reverse the plug. If it still does not fit, contact a qualified electrician. Never use with an extension cord unless plug can be fully inserted. Do not attempt to defeat this safety feature.

