

EAF-225

► Description

6 VDC (nominal) Transformer Powered, Sensor Activated, Electronic Hand Washing Faucet for pre-tempered or hot and cold water operation with illuminated Temperature Indication Ring.

6 VDC (nominal) Plug-in Transformer Powered Models with Transformer (-P)

- EAF-225-P-ISM With Integral Spout Temperature Mixer (For Hot and Cold water supply connection)
- EAF-225-P-ISM-IC With Integral Spout Temperature Mixer and *i.q.-Click* Feature
- EAF-225-P-ISM-DPU-IC With Integral Spout Temperature Mixer, Drain Pop Up and *i.q.-Click* Feature

► Flow Rate

- 1.5 gpm / 5.6 Lpm Pressure Compensating Aerated Stream Spray Head

► Specifications

Sensor Activated, Electronic, Chrome Plated Die-Cast Metal, Hand Washing Faucet with the following features:

- Indicates the adjusted water temperature via illuminated LED color changing ring
- Standby mode (option) permits light ring to remain illuminated with dim white light
- Soft-off function of indicator light. Light is turned off softly after the water flow stops
- Hot adjustable water limit set point
- Modular One-piece Construction with all Concealed Components above deck
- Double Infrared Sensors with Automatic Setting Feature and Microprocessor
- Magnetic Solenoid Valve
- Water temperature revealed by Illuminated Temperature Indication Ring
- Water temperature can be user adjusted
- Standby Mode permanently illuminates ring with dimmed white light
- Security-off after 1 minute of continuous water flow (vandal-resistant construction)
- Water Supply Connection with Flexible High-pressure Hose and Strainer
- Appropriate Mounting Hardware included

► Variations

- IC *i.q.-Click* feature
- DPU Drain Pop Up

► Accessories

- **Trim Plates**
 - ETF-312-A Trim Plate for 4" (102 mm) Centerset Sink
 - ETF-510-A Trim Plate for 8" (204 mm) Centerset Sink

Trim Plates must be specified and ordered separately
- **Spray Head**
 - EAF-15 0.5 Gpm/1.9 Lpm Spray Head (order separately)
- **Plug-in Transformer (one faucet per Transformer)**
 - EAF-41 European Plug-in Transformer
 - EAF-39 United Kingdom Plug-in Transformer
- **Extension Cables**
 - EAF-24-A 11-13/16" (300 mm) Extension Cable
 - EAF-25-A 47-1/4" (1200 mm) Extension Cable
 - EAF-17-A 126" (3200 mm) Extension Cable
- **Faucet Extension Kits**
 - EAF-35-A Faucet Extension Kit
 - EAF-30-A Faucet Extension Kit (International Version has 1/2G inlet connections)

► Warranty

3 year (limited)

► ADA Compliant

► Compliant to: ASME A112.18.1 and CSA B125.1



BLUE
Cold Water
Position



WHITE
Tempered Water
Position



RED
Hot Water
Position

Sloan's Lumino — complementing intelligence and operation within a restroom setting.

The New Sloan Lumino Electronic Faucet visibly shines in its ability to regulate water temperature. Sloan's Lumino is part of the Sloan Designer Series of fittings, designed to work in perfect unison with a restroom's décor.

The *i.q.-Click* feature allows the user to place the faucet into optional function modes, including "continuous run" and "temporary off" simply by pressing a button on the spout. The use of the *i.q.-Click* feature is recommended only in installations where users have a regular familiarity with the faucet (i.e., executive and non-public rest rooms). Models furnished with the *i.q.-Click* feature are also available with a Drain Pop Up.

► Automatic

Sloan's Lumino Deck-Mount Electronic Faucet operates by means of an infrared sensor.

► Hygienic

Touch-free, electronically controlled lavatory faucet. The ultimate in sanitary protection — helps control the spread of bacteria.

► Aesthetic

The Sloan Lumino Deck-Mount Electronic Faucet brings Sloan's quality into a one-of-a-kind electronic sensor faucet that works in unison with virtually any restroom.

► Economical

Automatic operation provides water usage savings up to 40% over manually operated faucets. Sensor operation ensures reduced maintenance and operation costs.



Listed by IAPMO



This space for Architect/Engineer approval	
Job Name _____	Date _____
Model Specified _____	Quantity _____
Variations Specified _____	
Customer/Wholesaler _____	
Contractor _____	
Architect _____	

EAf-225

► Description

6 VDC (nominal) Transformer Powered, Sensor Activated, Electronic Hand Washing Faucet for pre-tempered or hot and cold water operation with illuminated Temperature Indication Ring.

► Flow Rate

□ 1.5 gpm / 5.6 Lpm Pressure Compensating Aerated Stream Spray Head

ELECTRICAL SPECIFICATIONS

► Control Circuit

6 V — Includes Auto Set Range Adjustment

► Sensor Range

Nominal:
4"-5" (102 mm - 127 mm)
Faucet Adaptive Self-adjustment Range:
2"-14" (51 mm - 356 mm) nominal

► Power Supply

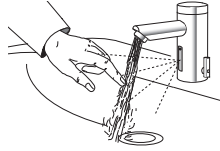
120 VAC +/- 6.75 VDC Plug-in Transformer
† All EAF-series plug in transformers handle an input voltage range of 90-264 VAC. One faucet per Transformer. Do not gang.

► Time Out Setting

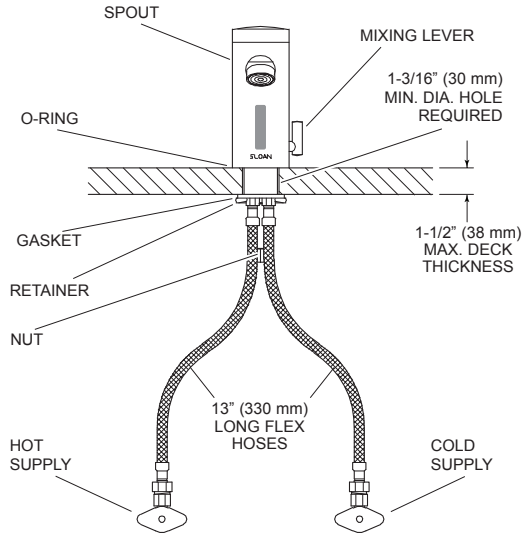
2 minutes — Maximum time faucet will run upon continuous detection (except for *i.q.-Click* models that are otherwise set in continuous run).

OPERATION

As the user's hands enter the beam's effective range, the beam is reflected back into the sensor receiver and activates the solenoid valve allowing water to flow from the faucet. Water will flow until the hands are removed or until the faucet reaches its automatic time out limit setting.



EAf-225-ISM, EAf-225-ISM-IC AND EAf-225-ISM-DPU-IC Faucets with Hot and Cold Water Supply



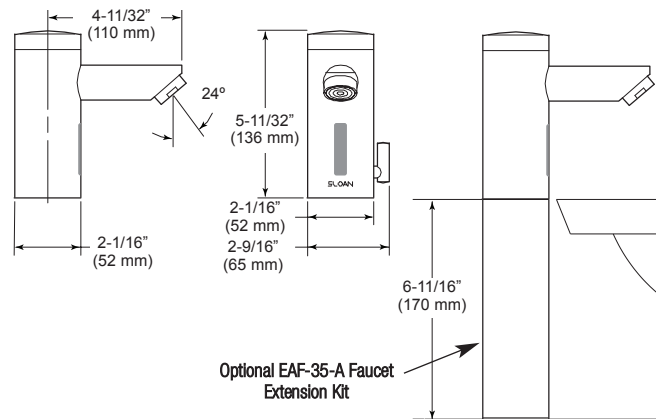
i.q.-Click FEATURE

The *i.q.-Click* is a button that extends from the underside of the faucet spout that allows the user to place the faucet into the following function modes: Continuous Run, Temporary Off, Permanent Off and Auto Set Range Adjustment.

Because the use of the *i.q.-Click* feature requires familiarity with the faucet, this feature is **not** recommended for faucets intended for use by the general public. The *i.q.-Click* is ideal for use in hospital rooms, executive restrooms and other locations where the primary user has regular contact with the product.

i.q.-Click SETTINGS

Function	Press Button	LED Signal
Continuous Run — 2 minute default setting (adjustable from 1 - 20 minutes)	1 time for 2 seconds	5 short flashes
reset:	1 time or will reset automatically after 2 minutes	
Temporary Off	2 times (double click)	5 short flashes followed by periodic flashing
reset:	1 time or will reset automatically after 2 minutes	
Permanent Off	Consult Factory	Periodic flashing and then 2 long flashes
reset:	1 time	
Auto Set Range Adjustment	2 times (double click) and then 1 time for 5 seconds	5 short flashes followed by 4 short flashes



When the EAF faucet is installed on a sink that has three (3) hole punchings, a Trim Plate should be used. *Trim Plates must be specified and ordered separately:*

ETF-312-A

Trim Plate for 4" (102 mm) Centerset Sink

ETF-510-A

Trim Plate for 8" (204 mm) Centerset Sink

SLOAN VALVE COMPANY • 10500 SEYMOUR AVENUE • FRANKLIN PARK, IL 60131

Phone: 1-800-982-5839 or 1-847-671-4300 • Fax: 1-800-447-8329 or 1-847-671-4380 • www.sloanvalve.com