

# Hydraulic Regal® Prison Model Flushometer

# 9611



## ► Description

Concealed, Hydraulically Activated, Water Closet Flushometer for wall hung stainless steel back inlet bowls.

## ► Flush Cycle

- Model 9611-1.6 Low Consumption (1.6 gpf/6.0 Lpf)
- Model 9611 Water Saver (3.5 gpf/13.2 Lpf)

## ► Specifications

Quiet, Concealed, Diaphragm Type, Rough Brass Urinal Flushometer for either left or right hand supply with the following features:

- ADA Compliant Non-Hold-Open feature type Actuator (specify Actuator type listed below)
- 1" I.P.S. Wheel Handle Bak-Chek® Angle Stop
- Adjustable Tailpiece
- High Back Pressure Vacuum Breaker
- Elbow Flush Connection and Coupling for 1½" NPT Back Inlet (for connection in the pipe chase — flush connection through the wall not provided by Sloan)
- Exposed parts Chrome Plated
- High Copper, Low Zinc Brass Castings for Dezincification Resistance
- Low Consumption flush accuracy controlled by Para-Flo™ Technology
- Stop Seat and Vacuum Breaker molded from PERMEX™ Rubber Compound for Chloramine Resistance

Valve Body, Cover, Tailpiece and Control Stop shall be in conformance with ASTM Alloy Classification for Semi-Red Brass. Valve shall be in compliance to the applicable sections of ASSE 1037, ANSI/ASME A112.19.2, and Military Specification V-29193.

## ► Actuator Types: (please check one)

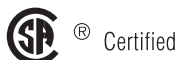
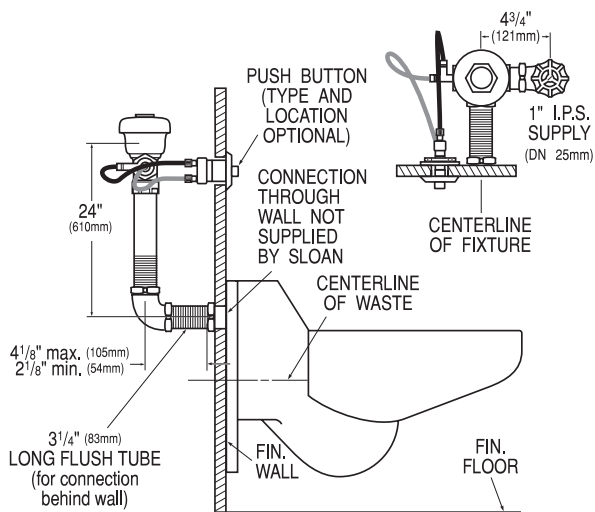
- MBFW** Metal Button Fixture Wall Actuator (HY-100-A) (rear access)
  - MBPM** Metal Button Panel Mount (HY-108-A) for use only w/Wall Box
- See Hydraulic Flushometer Section of the Sloan catalog for details on Actuators.

## ► Variations

- YB** Sweat Solder Adapter
- AFD** Shorter Vacuum Breaker - for use with Anti-Flood Device (Anti-Flood Device NOT provided by Sloan)
- TP** Trap Primer Elbow

Prison Flushometers can also be provided in Royal® Models.

See Accessories Section of the Sloan catalog for details on these and other Flushometer variations.



This space for Architect/Engineer approval

Job Name \_\_\_\_\_ Date \_\_\_\_\_

Model Specified \_\_\_\_\_ Quantity \_\_\_\_\_

Variations Specified \_\_\_\_\_

Customer/Wholesaler \_\_\_\_\_

Contractor \_\_\_\_\_

Architect \_\_\_\_\_

The information contained in this document is subject to change without notice.

## SLOAN®