

# SPEAKMAN COMPANY

## S-2292-AF Installation, Maintenance & Operation Instructions

### CHROME PLATED BRASS SHOWERHEAD

#### DESCRIPTION

Polished chrome plated brass showerhead. Brass ball swivel joint. 1-3/4" chrome plated brass shank with brass spray face. Spray adjusting T-handle. Flow control device reduces flow to 2.5 GPM/9.46LPM maximum, to meet existing ANSI A112.18.1 Standard. Vandal resistant standard. 1/2" NPT inlet.

#### SPECIFICATIONS

SUPPLY INLET: 1/2" NPT  
FLOW RATE: 2.5 GPM/9.46LPM MAXIMUM  
FLOW CONTROL: FIXED  
SHIPPING WEIGHT: 2.90 LBS.

#### OPTIONS

- |                            |
|----------------------------|
| ◇ BPT: British Pipe Thread |
| ◇ VR: Vandal Resistant     |

#### INSTALLATION

Apply pipe thread tape in a clockwise direction to threads of shower arm. Pipe joint compound may be used instead of tape. Turning in a clockwise direction, thread the shower head on to the shower arm. Tighten with a pipe wrench or a pair of pliers. Position the shower head by rotating it clockwise. Make sure the ball joint coupling is properly tightened. Turn the water supply on and check for leaks.

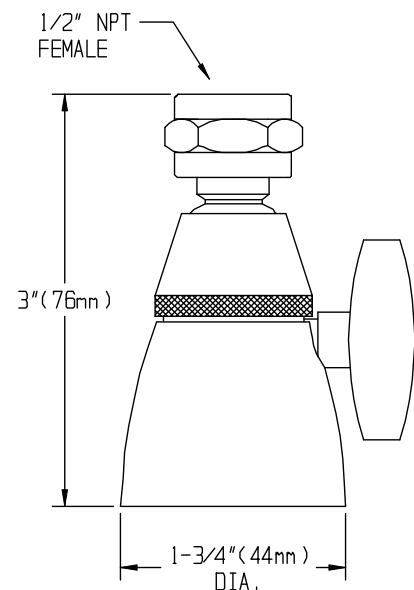
#### OPERATION

To adjust the spray pattern of the shower head, simply rotate the T-handle to the desired spray.

#### MAINTENANCE

The gleaming finish of your SPEAKMAN chrome plated brass showerhead can be cleaned by using mild soap and warm water. Dry immediately with a soft, clean cloth for best results. The flow control device limits water flow to 2.5 gallons per minute. The small orifice may become clogged with scale and other minerals found in potable water. To clean the flow control, simply remove the shower head from the bent arm, unscrew the flow control and clean as necessary.

#### ROUGH-IN MEASUREMENTS



Product improvements may cause specification and dimensional changes without notice.

**SPEAKMAN®**

PO Box 191 Wilmington, DE 19899 Phone: 800-537-2107 Fax: 800-977-2747  
Visit us on the web at [www.speakmancompany.com](http://www.speakmancompany.com)

04/00  
92-1748 Rev-1