

# **SPEAKMAN COMPANY**

## **S-4100 Installation, Maintenance & Operation Instructions**

### **EASY-PUSH®**

#### **METERING LAVATORY FITTING**

#### **DESCRIPTION**

Speakman polished chrome plated all brass EASY-PUSH metering wash-up fitting. 4 5/8" from spray outlet to finished wall. EASY-PUSH handle with brass yoke. Concealed cycle adjustment without shutting off water supply. Non-hammering operating unit protected by monel mesh screens. Vandal-resistant standard.

#### **SPECIFICATIONS**

INLET SUPPLY: ½" NPT FEMALE  
SHIPPING WEIGHT: XXX LBS.

#### **OPTIONS**

◇ PALM – Palm Button
----------------------

#### **INSTALLATION**

Install supply pipe so that pipe sticks out ½" from finished wall. Apply pipe sealant to threads of supply pipe. Slip wall flange over pipe and screw body assembly onto supply pipe. Tighten and position body with strap wrench. Make sure wall flange is tight against finished wall. This can be done by supporting supply pipe behind wall. Make sure flush plug is secure in the faucet and outlet device is removed. Flush line until water supply is clean of all foreign matter. Turn off water supply and remove flush plug.

Guide mounting into faucet making sure not to nick o-ring. If excessive resistance is felt, relieve the pressure by pushing down on the adjusting piece. Screw mounting into faucet. Wrench tighten.

Assemble outlet device to outlet of faucet. Loosen the two set screws in the hub using an allen wrench. Insert metering handle assembly into the hub, NOTE: BE SURE THE BOTTOM PART OF YOKE IS IN CONTACT WITH THE TOP OF THE HUB. Tighten the two set screws in the hub.

Turn water supply on and check for leaks.

#### **MOUNTING CYCLE TIME ADJUSTMENT INSTRUCTIONS:**

Turn handle adjusting screw with allen wrench clockwise (in) for a shorter cycle time and counterclockwise (out) for a longer cycle time. Push handle to cycle unit. If cycle is not satisfactory, readjust screw.

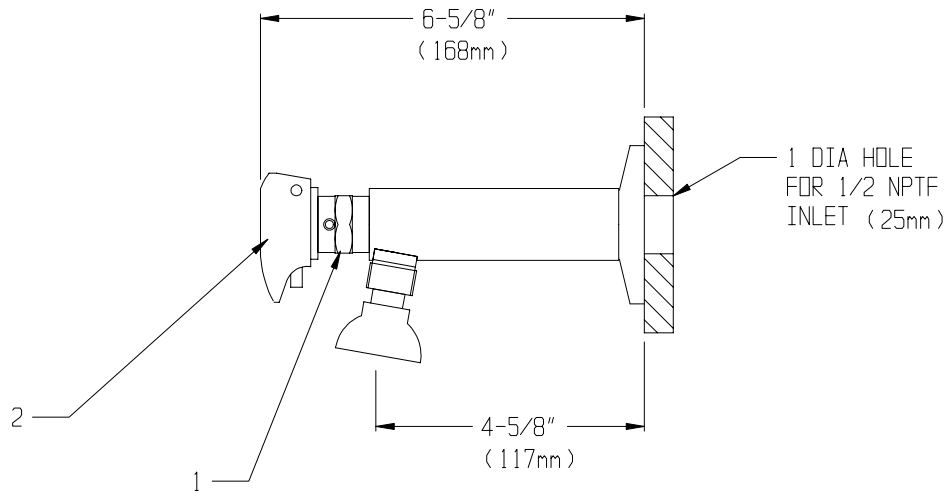
#### **OPERATION**

Simply push on the EASY-PUSH handle to operate the wash-up fitting.

#### **MAINTENANCE (CARE and CLEANING)**

The water supply to the metering fitting must be clean with no contaminants. If it is not then the metering mounting and outlet device will have to be cleaned periodically. The gleaming finish of your SPEAKMAN EASY-PUSH® wash-up fitting can be cleaned by using mild soap and warm water. Dry immediately with a soft, clean cloth for best results.

## ROUGH-IN MEASUREMENTS



### NOTES:

1. INLET IS 1/2 NPT FEMALE.
2. ALL DIMENSIONS ARE IN INCHES (MILLIMETERS) UNLESS OTHERWISE SPECIFIED AND ARE SUBJECT TO CHANGE WITHOUT NOTICE.

## REPAIR / REPLACEMENT PARTS

<u>ITEM NO.</u>	<u>PART OR GROUP NUMBER</u>	<u>DESCRIPTION</u>
1	G05-0441-RPR	EASY-PUSH REPLACEMENT UNIT LESS HANDLE ASSEMBLY
2	RPG11-0034	PLAIN HANDLE ASSEMBLY
NS	RPG05-0465	CHAMBER REPAIR KIT
NS	RPG45-0021	CHAMBER WASHER KIT

**SPEAKMAN®**  
PO Box 191 Wilmington, DE 19899 Phone: 800-537-2107 Fax: 800-977-2747  
Visit us on the web at [www.speakmancompany.com](http://www.speakmancompany.com)