

## COMMANDER®

### Widespread Lavatory Combinations

#### SC-3041-LD



#### SC-3041-D75-LD



#### GENERAL SPECIFICATION

Polished chrome plated Commander widespread gooseneck lavatory faucet with 1/4 turn ceramic cartridges covered by a 25-year warranty. 8" fixed centers with rigid copper tee connection. Accommodates installations up to 1 1/2" thick. Widespread faucet with 4-3/4" deep lavatory spout. Vandal-resistant water conserving flow control reduces flow to 2.2 gpm/8.4 lpm. Meets ASME A112.18.1/CSA B125.1 and NSF61.

#### Cross Handle Models

Vandal-resistant four arm handles with color-coded indexes.

- SC-3031** Solid brass 1-1/4" pop-up drain
- SC-3041** Strainer drain
- SC-3041-LD** No drain assembly

#### D75 Cross Handle Models

Diamond 75 escutcheons and four arm handles with color-coded indexes.

- SC-3031-D75** Solid brass 1-1/4" pop-up drain
- SC-3041-D75** Strainer drain
- SC-3041-D75-LD** No drain assembly

#### OPTIONS

SUFFIX	DESCRIPTION
<input type="checkbox"/> BO	0.5 gpm flow control, vandal-resistant
<input type="checkbox"/> CA**	Low lead for CA AB1953 compliance
<input type="checkbox"/> GB	1.5 gpm flow control, vandal-resistant
<input type="checkbox"/> CWO	Cold water only (only available with FH option)
<input type="checkbox"/> D75	Diamond 75 escutcheons (standard on D75 models)
<input type="checkbox"/> FH	Flex hose (3/8" x 3/8" compression)
<input type="checkbox"/> LD	Less drain assembly (SC-3031 & SC-3031-D75 only)
<input type="checkbox"/> LF	2.2 gpm laminar flow control outlet
<input type="checkbox"/> MI	Metal index for handles
<input type="checkbox"/> SCF	Satin chrome finish

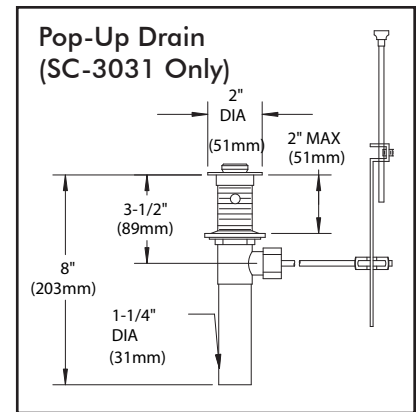
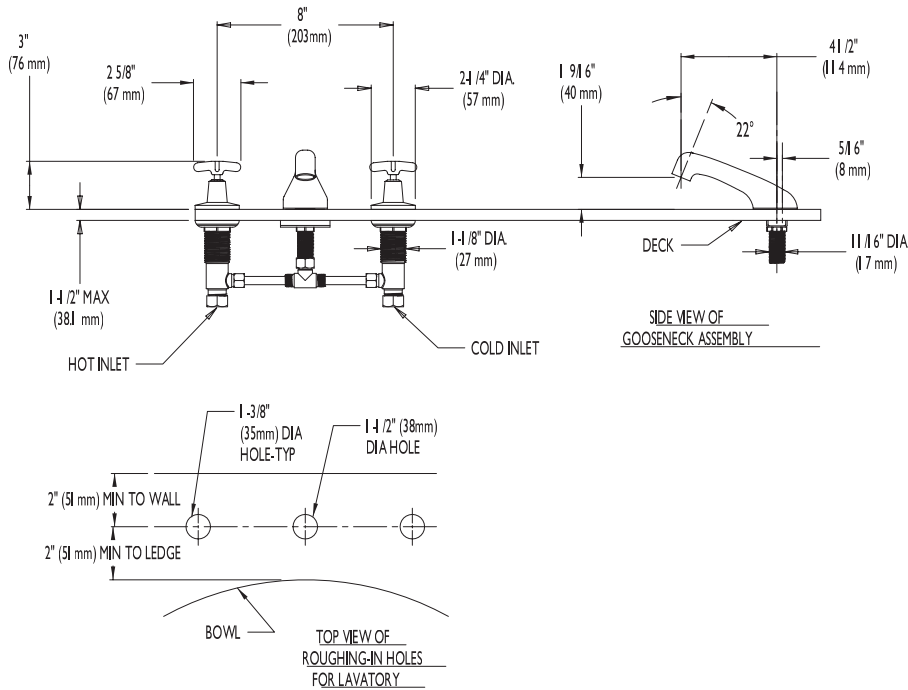
\*\* The following options are not available with the "CA" option:  
 HS (Hose & Spray), SO, TWI, VB6, VB8, ST, SW, & TMV.

This space for Architect/Engineer approval.

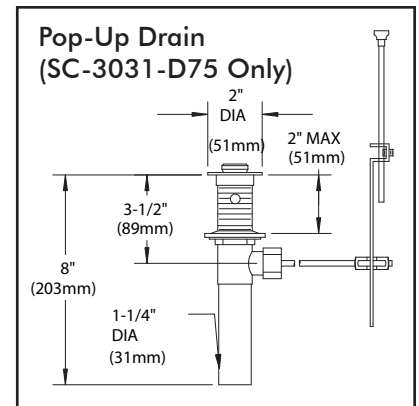
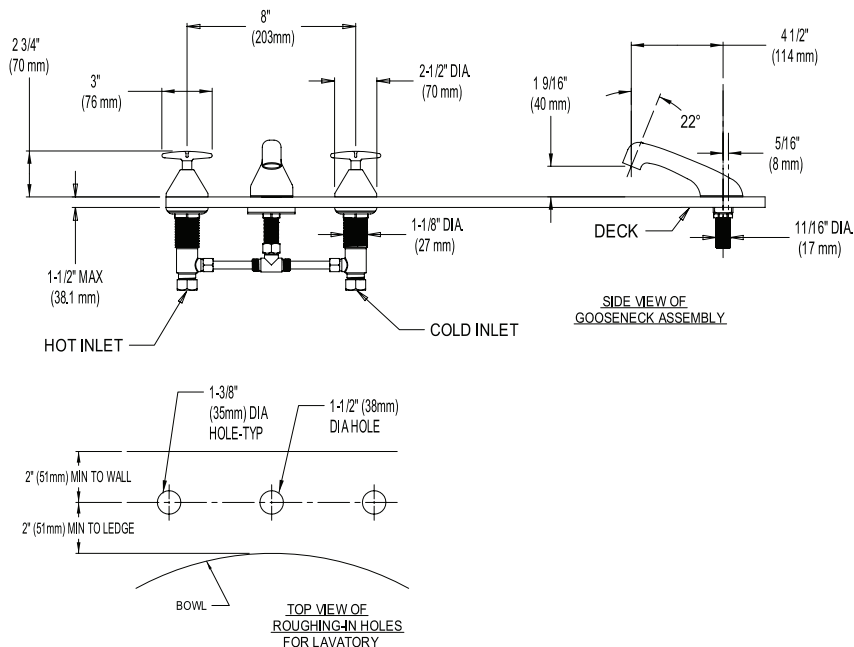


## ROUGH-INS

### SC-3041-LD



### SC-3041-D75-LD



**NOTE:** All dimensions are in inches (millimeters) unless otherwise specified and are subject to change without notice. Lavatory inlets are sized for either coupling or sweat connections. Unless otherwise specified, all inlets are 1/2" NPSM.