

# SPEAKMAN®

## SE-570

### EYESAVER® EYEWASH

#### DESCRIPTION

The SE-570 Eyesaver® swing activated eyewash for laboratory applications where low profile eyewash is desired. The unit features a built-in flow regulator to compensate for varying supply pressures and aerated sprays that offer gentle yet thorough cleaning action.

#### SPECIFICATIONS

**Spray Heads:** (2) aerated yellow ABS plastic spray outlets with flip-top dust caps

**Valve:** ¼ turn ceramic Perfect® valve

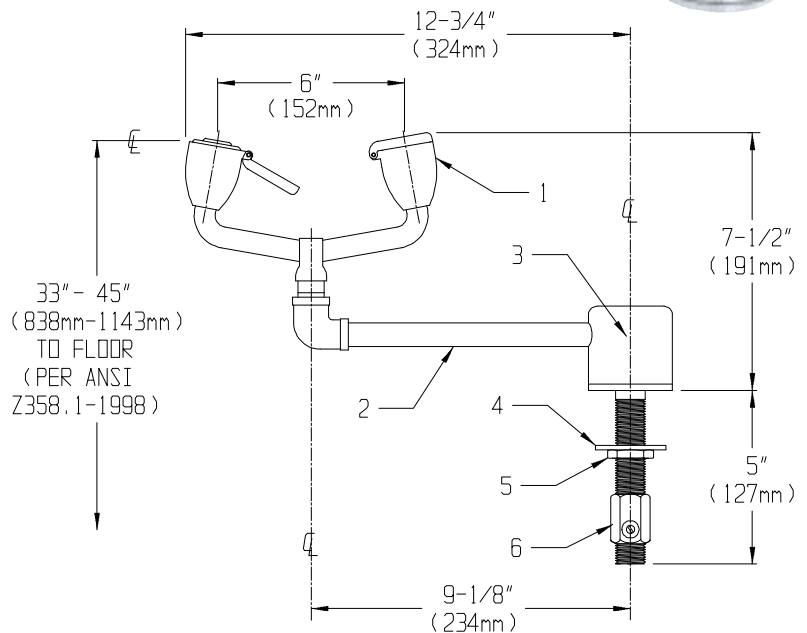
**Activator:** Swing activated

**Inlet:** ½" NPT male

**Performance:** 3.0 gpm @ 30 psi

**Compliance:** ANSI Z358.1

**Universal Emergency Sign Included**



#### OPTIONS

- ILS In-line strainer
- LH Left hand operation

Job Name _____
Location _____
Architect/Engineer _____
Sales Representative _____
Wholesaler _____
Date _____ Model # _____