

# SPEAKMAN®

## Neo Collection Combination Series SM-1010-P

### DESCRIPTION

Speakman Neo Collection Combination Series unites the best products included in our Neo Series. The combination begins with our anti-scald balanced pressure valve with integral stops, featuring a brass body and adjustable temperature limit stop. The wall plate and handle are designed with definitive Neo Collection styling. Piston type pressure balancing/ceramic regulating cartridge assembly with built-in check valves. Meets ASME A112.18.1 / CSA B125.1 & ASSE 1016 standards. Also provided is the S-2540 brass 7" shower arm with metal wall flange. The featured product in the Neo Collection Combination Series is the ANYSTREAM® S-3010 showerhead with a 4<sup>3/4</sup>" outer spray adjustment ring. Five self-cleaning plunger nozzles resist scale build-up and provide 50 spray streams for a full body coverage pattern. The center core nozzle delivers 12 massaging jets and a combination spray is included. Water-conserving pressure compensating AUTOFLO® device reduces flow to 2.5 GPM / 9.46 LPM maximum, to meet existing ANSI A112.18.1 Standard.

### SPECIFICATIONS

SM-1000-P Anti-Scald Balanced Pressure Valve:

Connections: 1/2" female copper sweat inlets & shower outlet; 1/2" NPT female tub outlet

Flow Rate: For use with showerheads rated at 2.0 GPM (7.6 LPM) or higher.

S-3010 Showerhead:

Supply: 1/2" NPT female

Flow Rate: 2.5 GPM / 9.46 LPM MAX

S-2540 Shower Arm:

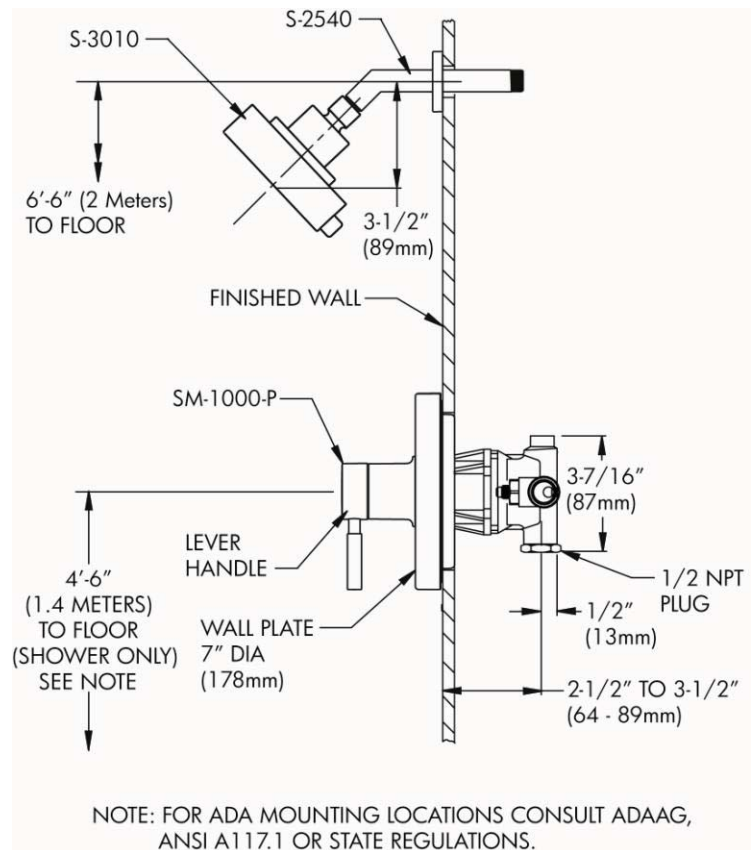
Supply: 1/2" NPT male inlet

Outlet: 1/2" NPT male outlet

### INSTRUCTIONS

See individual products for installation of the components and warranty information.

### ROUGH-IN



## SPEAKMAN®

400 Anchor Mill Rd. New Castle, DE 19720  
03/12

Visit us on the web at [www.speakmancompany.com](http://www.speakmancompany.com)

Phone: 800-537-2107

Fax: 800-977-2747  
IOM-SM-1010

# SPEAKMAN®

## S-3010 Installation, Operation & Maintenance Instructions ANYSTREAM® SHOWERHEAD

### DESCRIPTION

Polished chrome plated ANYSTREAM® S-3010 Showerhead with a 4-3/4" outer spray adjustment ring. 5 self-cleaning plunger nozzles resist scale build-up and provide 45 spray streams for a full body coverage pattern. The center core nozzle delivers twelve massaging jets and a combination spray is included. Water conserving pressure compensating AUTOFLO® device reduces flow to 2.5 GPM/9.46LPM maximum, to meet existing ANSI A112.18.1 Standard. 1/2" NPT inlet.

### SPECIFICATIONS

SUPPLY INLET: 1/2" NPT  
FLOW RATE: 2.5 GPM/9.46LPM MAXIMUM  
SHIPPING WEIGHT: 1.0 LBS.

### OPTIONS

- |   |
|---|
| • <b>BN</b> – Brushed Nickel  |
| • <b>S-3010-E2</b> – Low Flow Showerhead (2.0 GPM/ 7.6LPM)                    |
| • <b>S-3010-BN-E2</b> – Low Flow Brushed Nickel Showerhead (2.0 GPM/ 7.6 LPM) |

### INSTALLATION

Remove the old shower head from the shower arm. Clean off any debris on the threads of the shower arm. Wrap Teflon tape around the shower arm threads in a clockwise direction. Turning in a clockwise direction, screw the new Speakman shower head onto the shower arm. Tighten with a wrench. Turn the water supply on and check for leaks.

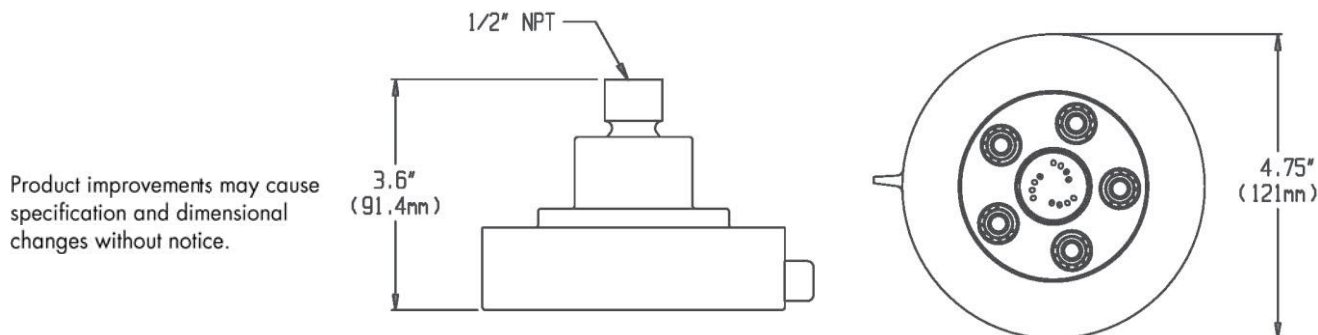
### OPERATION

To adjust the spray pattern of the shower head, simply rotate the outer ring to the desired spray (Full-Body, Dual action or Massage). The outer ring can rotate 360°.

### MAINTENANCE

The gleaming finish of your SPEAKMAN ANYSTREAM® shower head can be cleaned by using mild soap and warm water. Dry immediately with a soft, clean cloth for best results. The flow control device limits water flow to 2.5 gallons per minute. The small orifices may become clogged with scale and other minerals found in potable water. To clean the flow regulator, simply remove the shower head from the bent arm, dislodge the flow regulator which is located in the inlet and clean as necessary.

### ROUGH-IN MEASUREMENTS



## SPEAKMAN®

400 Anchor Mill Rd. New Castle, DE 19720 Phone: 800-537-2107  
03/12 Visit us on the web at [www.speakmancompany.com](http://www.speakmancompany.com)

Fax: 800-977-2747  
IOM-S-3010-R1

# SPEAKMAN®

## S-2540 Installation, Maintenance & Operation Instructions SHOWER ARM AND FLANGE

### DESCRIPTION

Speakman polished chrome plated brass 7" shower arm with brass wall flange.

### SPECIFICATIONS

½" NPT MALE INLET  
½" NPT MALE OUTLET  
SHIPPING WEIGHT: 0.7 LBS.

### OPTIONS

• **BN:** Brushed Nickel

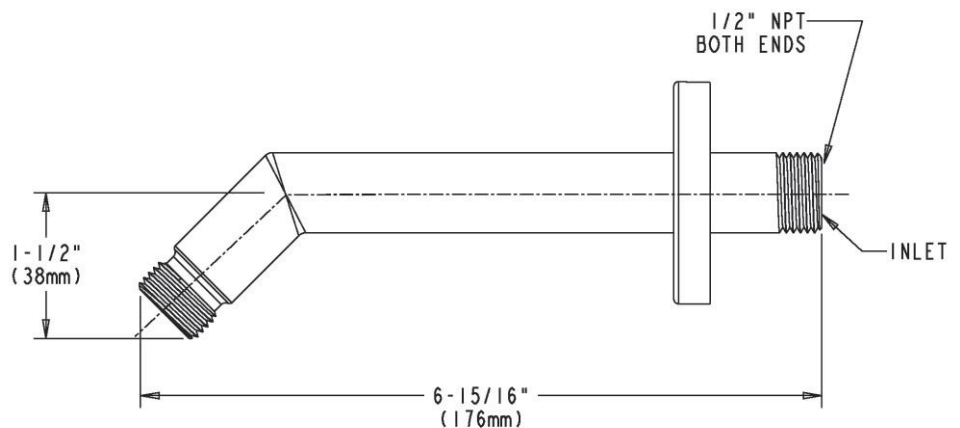
### INSTALLATION

Slip wall flange onto shower arm. Apply Teflon tape or pipe dope to male inlet threads and thread arm into supply piping behind the wall. Wrench tighten. Slip wall flange flush to wall and tighten set screw to secure flange. Check connection for leaks.

### MAINTENANCE

The gleaming finish of your SPEAKMAN S-2540 shower arm can be cleaned by using mild soap and warm water. Dry immediately with a soft, clean cloth for best results.

### ROUGH-IN MEASUREMENTS



Product improvements may cause specification and dimensional changes without notice.

## SPEAKMAN®

400 Anchor Mill Rd. New Castle, DE 19720 Phone: 800-537-2107  
03/12 Visit us on the web at [www.speakmancompany.com](http://www.speakmancompany.com)

Fax: 800-977-2747  
IOM-S-2540-R1

# SPEAKMAN COMPANY

## Neo Collection Combination Series SM-1000-P

### DESCRIPTION

Speakman Neo Collection Combination Series unites the best products included in our Neo Series. The combination begins with our anti-scald balanced pressure valve with integral stops, featuring a brass body and adjustable temperature limit stop. The wall plate and handle are designed with definitive Neo Collection styling. Piston type pressure balancing/ceramic regulating cartridge assembly with built-in check valves. Meets ASME A112.18.1 / CSA B125.1 & ASSE 1016 standards.

### SPECIFICATIONS

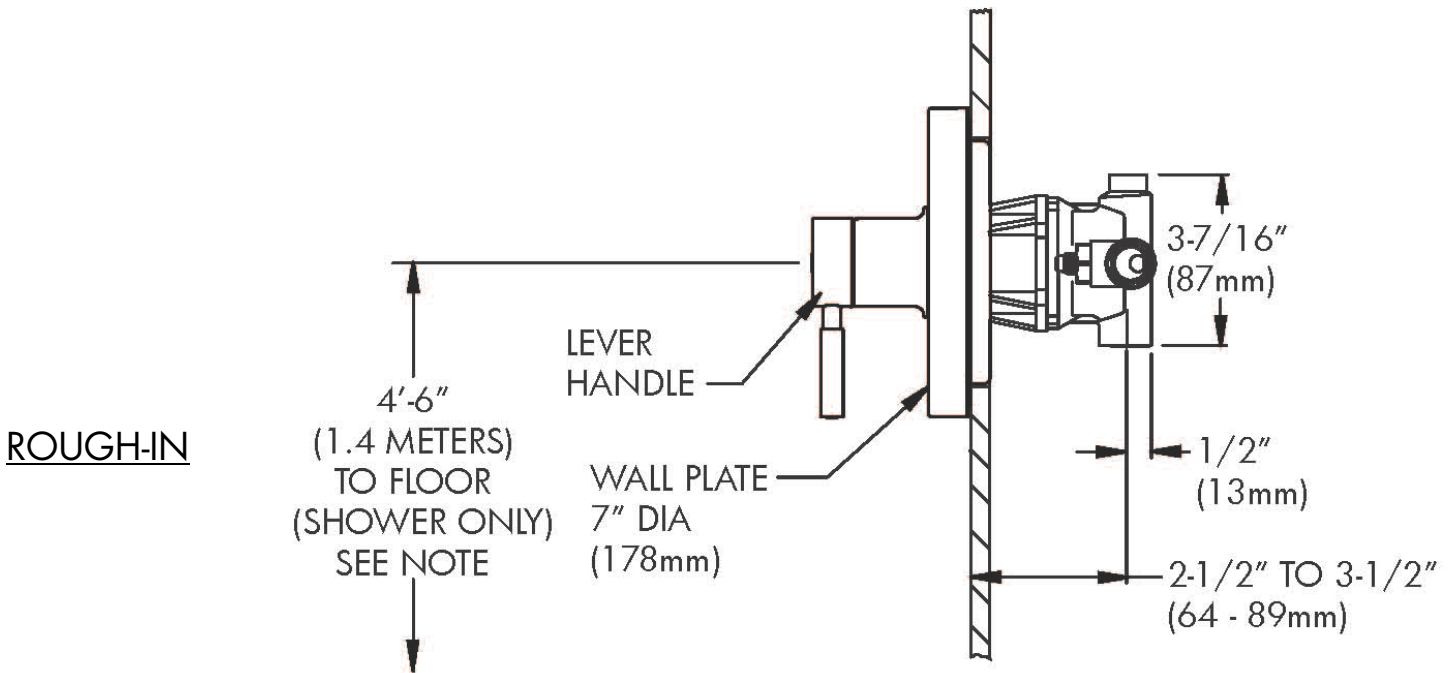
SM-1000-P Anti-Scald Balanced Pressure Valve:

Connections: 1/2" female copper sweat inlets & shower outlet; 1/2" NPT female tub outlet

Flow Rate: For use with showerheads rated at 2.0 GPM (7.6 LPM) or higher.

### INSTRUCTIONS

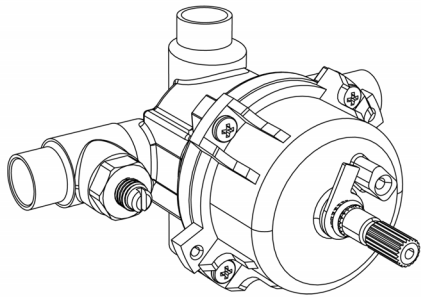
See individual products for installation of the components and warranty information.



NOTE: FOR ADA MOUNTING LOCATIONS CONSULT ADAAG,  
ANSI A117.1 OR STATE REGULATIONS.

## Instructions for Models:

### CPV-P-IS



### Need Help?

For additional assistance or service call:

**SPEAKMAN** Company  
400 Anchor Mill Road  
New Castle, DE 19720

PHONE: 800-537-2107  
EMAIL: [customerservice@speakmancompany.com](mailto:customerservice@speakmancompany.com)  
WEB: [www.speakmancompany.com](http://www.speakmancompany.com)

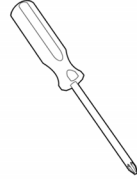
92-3248-R2

## What You Need To Know:

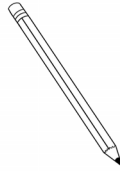
### Tools:

#### Required:

\*Phillips  
Screwdriver



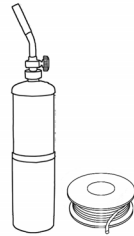
\*Pencil



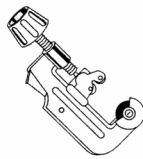
\*Adjustable  
Wrench



\*Solder Kit

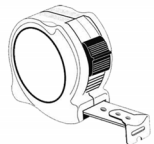


\*Tubing Cutter



#### Helpful:

\* Tape Measure



\*Level



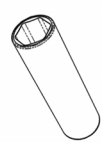
\*Keyhole  
Saw



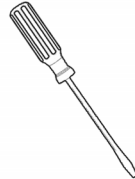
\*Socket  
Wrench



\*9/16" Deep  
Well Socket



\*Flat Tip  
Screwdriver



\*Eye Protection



## What You Need To Know:

### Important Notes:

Be sure to read instructions thoroughly before beginning installation.

Be sure to have properly adjusted the Temperature Limiting Stop (TLS) as outlined in this Instruction Manual.

Inspect all connections after installation of valve.

This valve has an operating range of 20-80 psi.

### Safety Tips:

Follow proper safety precautions recommended by tool manufacturers.

Wear proper eye protection.

Protect surrounding area while soldering.

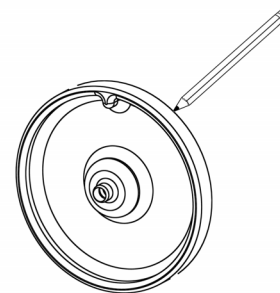
### Maintenance:

Your new shower/bath valve is washerless and requires no routine maintenance.

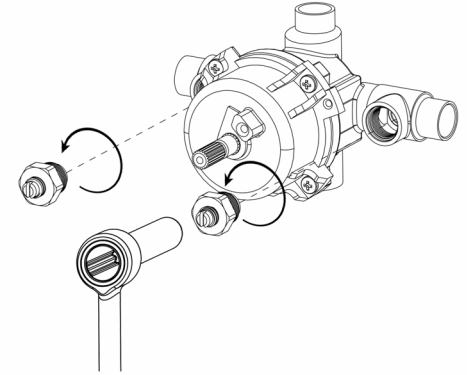
This valve incorporates a cartridge using a piston style balancing module, combined with a ceramic regulating module. This method eliminates seat washers and other packing materials.

If service is required, please follow the instructions included within the appropriate repair part grouping.

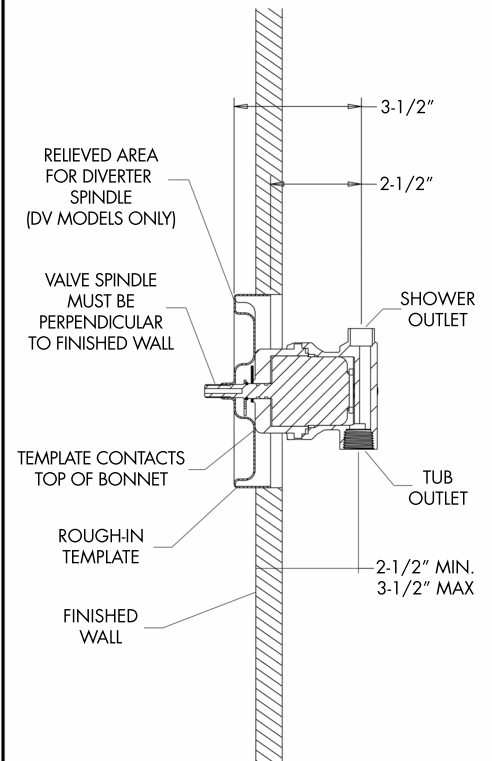
**1** Referencing the supplied rough-in dimensions (located on last page), determine the preferred location of valve. Align the supplied rough-in template with this location and trace outline of template onto wall. Using a keyhole saw or similar tool, cut along line and remove this section of wall.



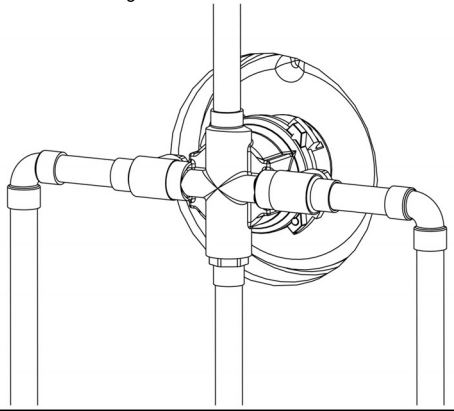
**2** To prevent damage while soldering, remove the integral stops (IS) using a socket wrench equipped with a 9/16" deep well socket.



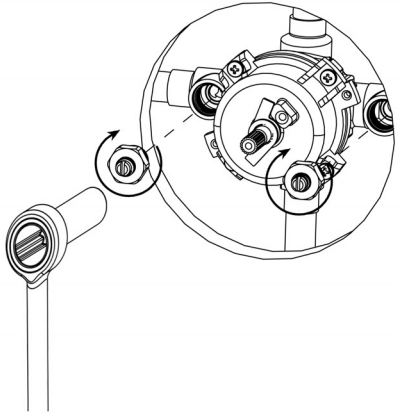
**3** Following the rough-in dimensions (located on last page) as well as the markings on the supplied rough-in template, install valve at proper depth. The distance from the inlet/outlet ports of the valve assembly to the finished wall MUST be between 2-1/2" - 3-1/2".



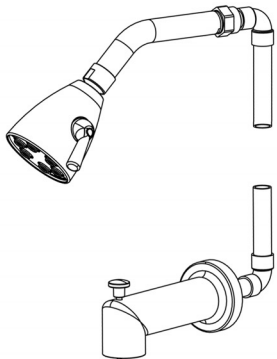
- 4** Plumb and solder all joints and fittings to valve. Take care to protect surrounding area when soldering.



- 5** Reinstall integral stops removed in STEP 2.



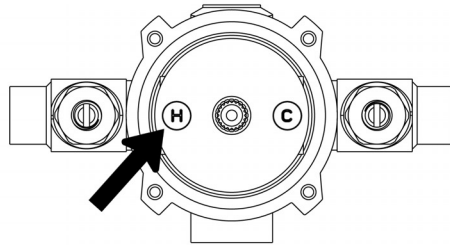
- 6** Plumb and solder all fittings required for accessories. If performing a standard installation proceed to STEP 11. If performing a back to back installation, proceed to STEP 7.



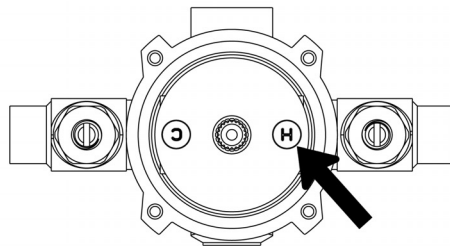
**7 BACK TO BACK INSTALLATION**

If a back to back installation is used, the balancing / regulating cartridge must be removed and rotated 180 degrees. **DO NOT** remove blue cover from cartridge.

STANDARD INSTALLATION:  
HOT INLET ON LEFT SIDE

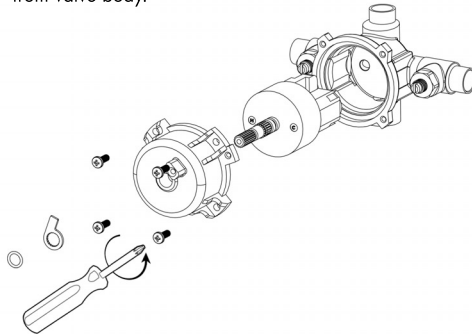


BACK TO BACK INSTALLATION:  
HOT INLET ON RIGHT SIDE



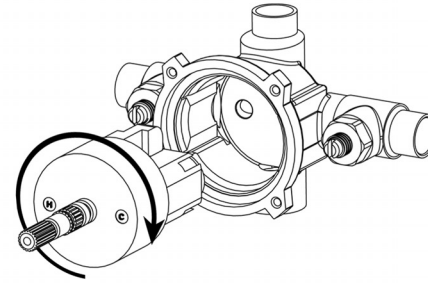
**8 BACK TO BACK INSTALLATION**

To adapt your shower valve for back to back installation, remove spindle O-ring, TLS plate, and four (4) bonnet screws. Then remove bonnet and cartridge assembly from valve body.



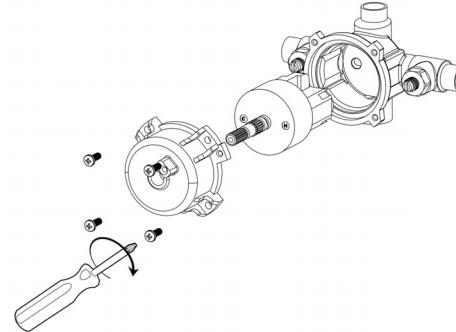
**9 BACK TO BACK INSTALLATION**

Rotate cartridge 180 degrees, and reinstall into valve body. The "H" marking on the blue cover should now be on the right hand side.

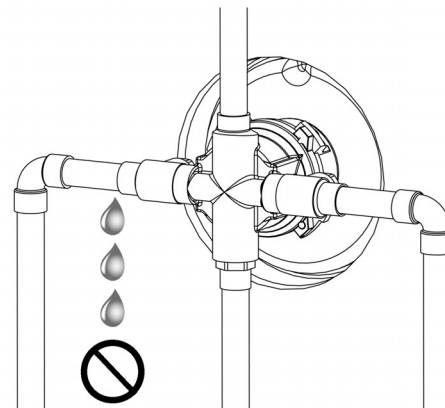


**10 BACK TO BACK INSTALLATION**

Reinstall bonnet and four (4) bonnet screws, making sure bonnet O-ring is in place within valve body.

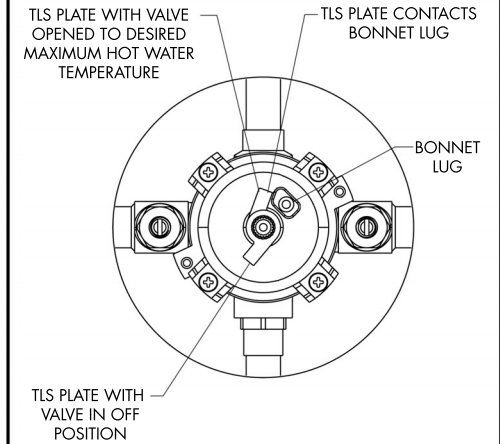


- 11** Turn on water supply and check all solder connections for leaks.

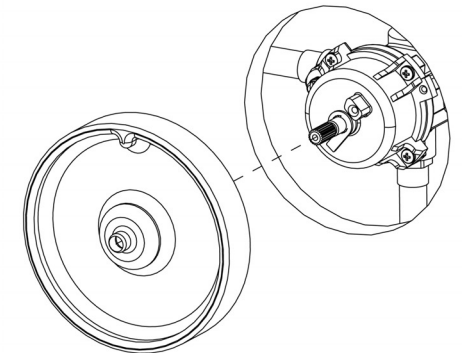


- 12** To limit the maximum hot water temperature the valve delivers, adjust the valve's temperature limit stop (TLS) plate.

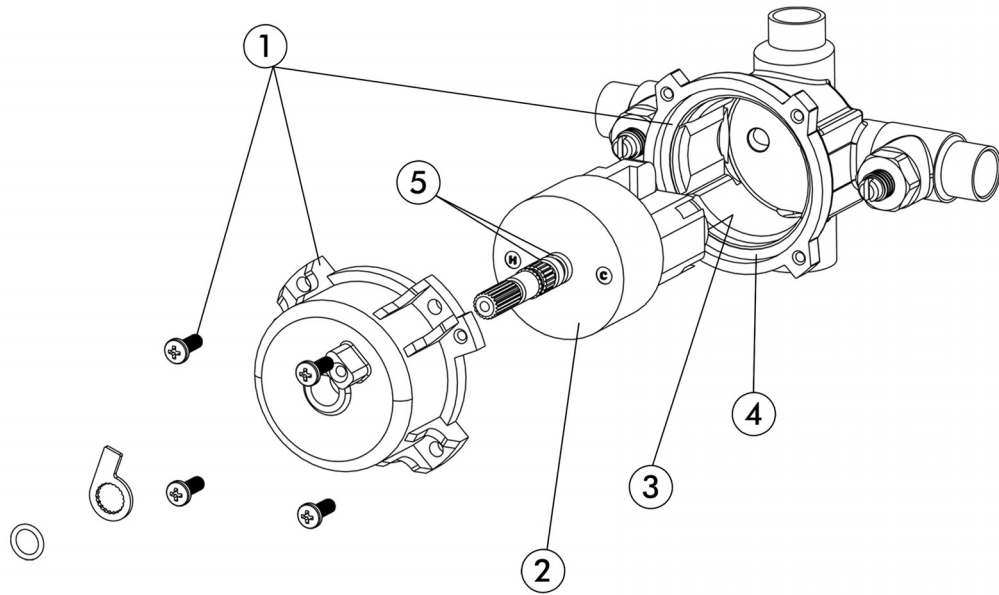
- 1 Slip the retaining O-ring and the TLS plate towards the end of the spindle.
- 2 Rotate the valve spindle clockwise to the maximum desired hot water temperature.
- 3 Position the TLS plate so it contacts the lug on the valve bonnet and therefore restricts the clockwise rotation of the spindle.
- 4 Slip the retaining O-ring back into the groove of the spindle to hold the TLS plate in place.
- 5 Rotate the spindle counter clockwise to the "Off" position.



- 13** Install rough-in template over valve to protect valve during final wall preparation.

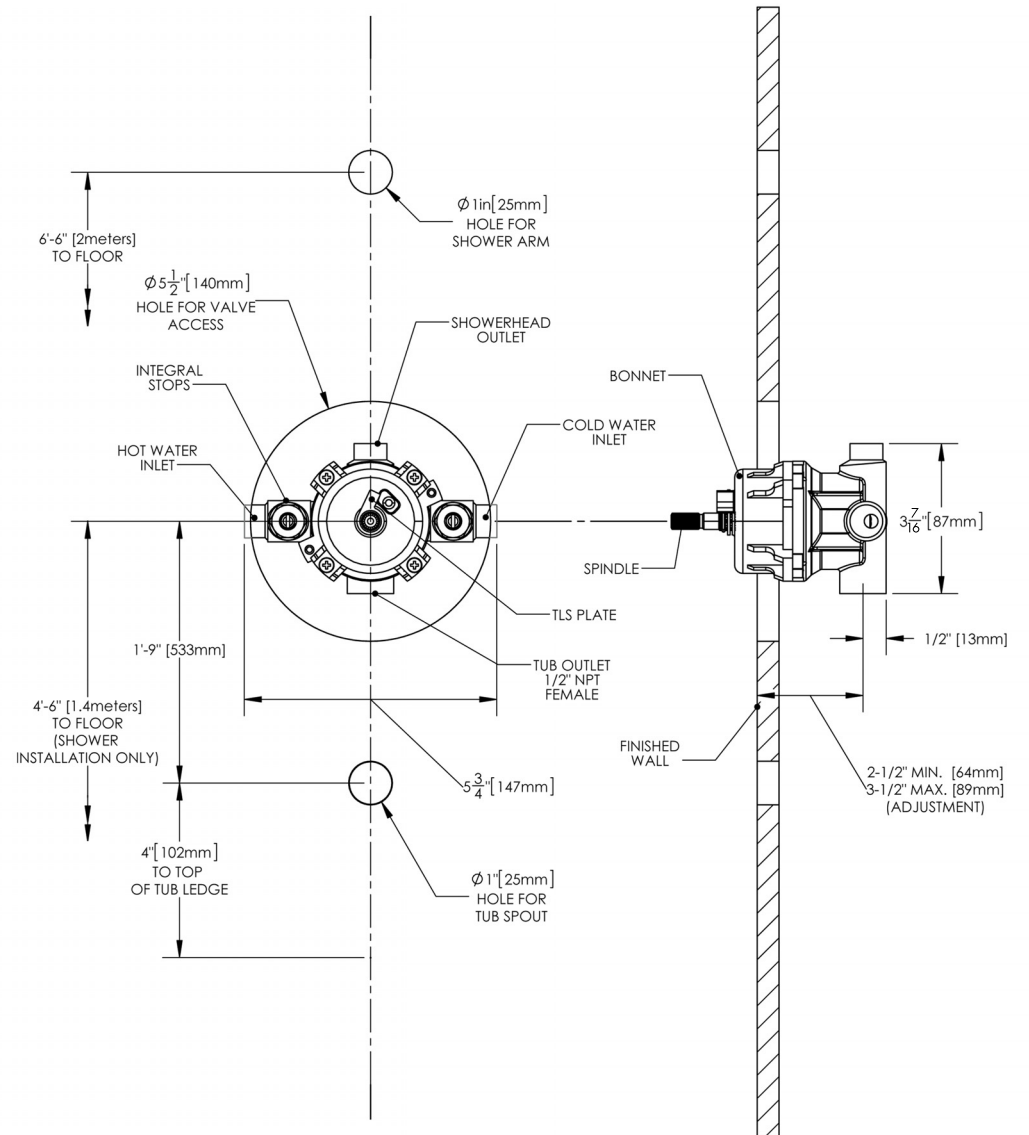


# REPAIR PARTS



- ① RPG05-0718  
4 SCREWS, BONNET, & BONNET O-RING
- ② RPG05-0884  
CARTRIDGE
- ③ RPG49-0005  
CARTRIDGE LOWER QUAD RINGS
- ④ RPG49-0126  
BONNET O-RING
- ⑤ RPG49-0076  
SPINDLE O-RINGS

# ROUGH-IN

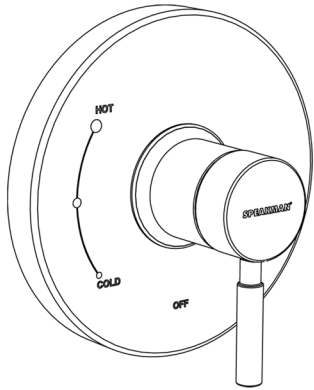


**NOTES:**

- ① ALL DIMENSIONS ARE IN INCHES (MILLIMETERS) UNLESS OTHERWISE SPECIFIED AND ARE SUBJECT TO CHANGE WITHOUT NOTICE.
- ② UNLESS OTHERWISE SPECIFIED ALL INLETS AND OUTLETS ARE 1/2" FEMALE COPPER SWEAT.
- ③ FOR ADA MOUNTING LOCATIONS, CONSULT ADAAG, ANSI A117.1, AND STATE REGULATIONS.

## Instructions for Models:

CPT-1000-P  
CPT-1000-P-BN  
CPT-1000-P-PN



## Need Help?

For additional assistance or service call:

**SPEAKMAN** Company  
400 Anchor Mill Road  
New Castle, DE 19720

PHONE: 800-537-2107  
EMAIL: [customerservice@speakmancompany.com](mailto:customerservice@speakmancompany.com)  
WEB: [www.speakmancompany.com](http://www.speakmancompany.com)

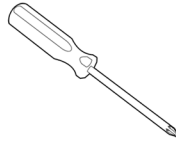
92-3264-R2

## What You Need To Know:

### Tools:

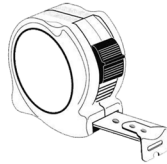
Required:

\*Phillips Screwdriver



Helpful:

\* Tape Measure



### Important Notes:

Be sure to read instructions thoroughly before beginning installation. Do not overtighten any connections or damage may occur.

Be sure to have properly adjusted the Temperature Limiting Stop (TLS) as per the Valve Installation Instructions before installing Valve Trim.

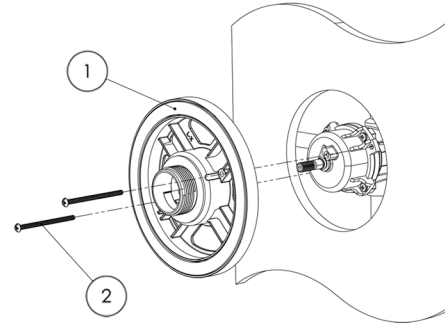
### Safety Tips:

Cover your drain to prevent loss of parts.

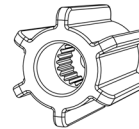
### Maintenance:

Your new valve trim is designed for years of trouble-free performance. Keep it looking new by cleaning it periodically with a soft cloth. Avoid abrasive cleaners, steel wool, and harsh chemicals as these will dull the finish and void your warranty.

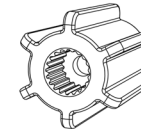
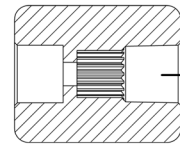
**1** Clean wall surface. Place the mounting base (1) on to valve, align mounting holes, and secure with screws (2).



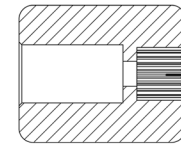
**2** There are 2 Connectors (3) included to allow for both Shallow and Deep mount applications. Please select Connector appropriate for your installation.



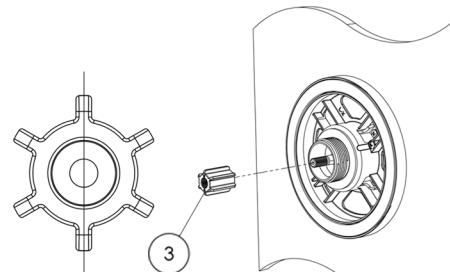
For Shallow Mount Application



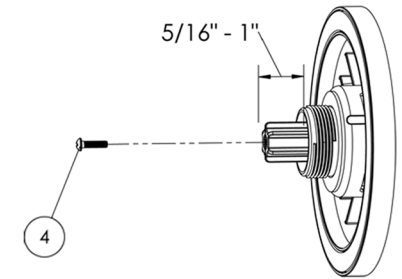
For Deep Mount Application



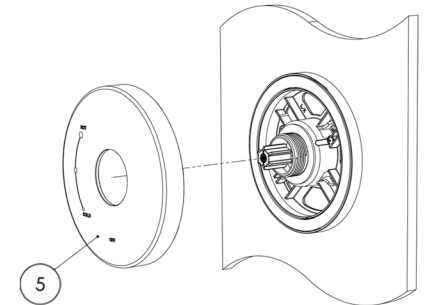
**3** Confirm that valve is in the "off" position. Place appropriate Connector (3) on spindle of valve making sure to orient the Connector so that one set of splines are in a perfectly vertical position.



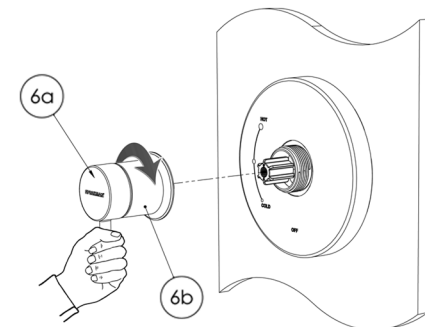
**4** **\*IMPORTANT\*** When installed correctly, the Connector (3) should protrude from the Mounting Base in between 5/16" and 1". Secure with Screw (4)



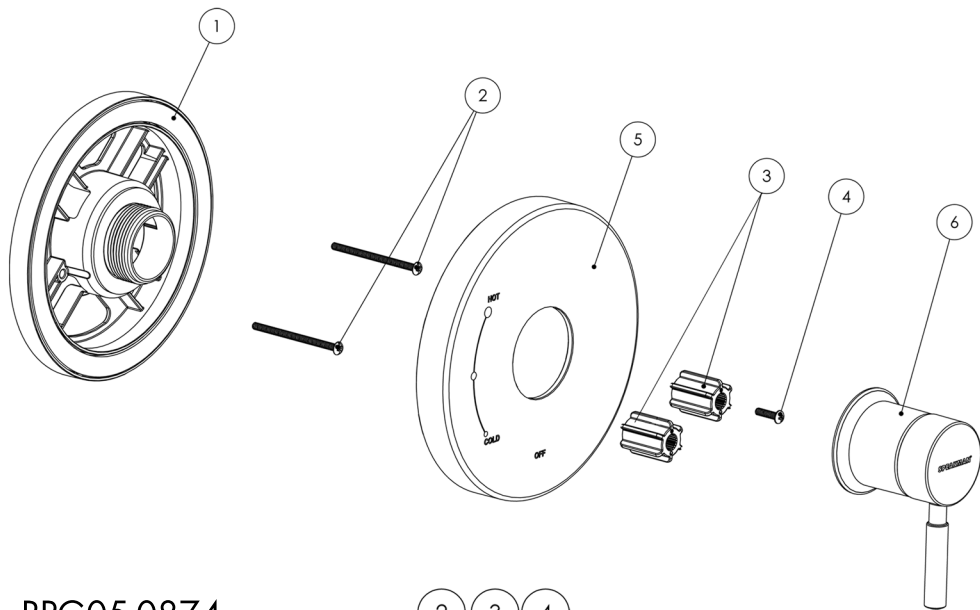
**5** Place Escutcheon (5) on Mounting Base. Take care to orient Escutcheon as shown below.



**6** Align Handle Assembly (6) with Connector and Escutcheon. Keep Handle (6a) in a stationary vertical position as you thread Handle Hub (6b) on Mounting Base. Tighten until snug.







RPG05-0874



RPG10-0093-(PC,BN,PN)



RPG04-0388-(PC,BN,PN)

