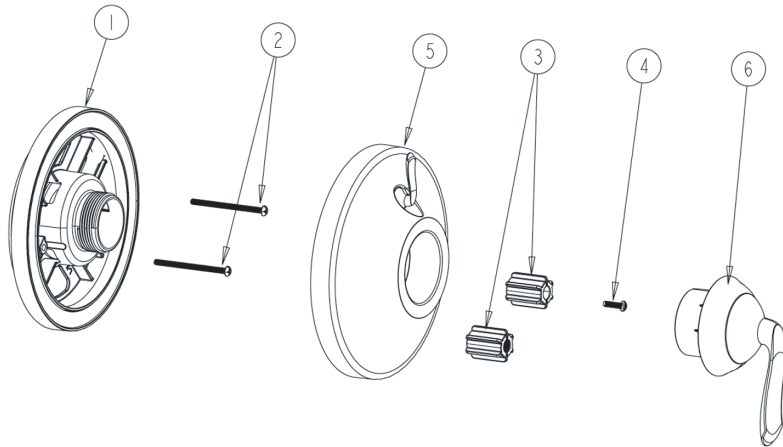


REVISIONS

REV	PCA	DATE	DESCRIPTION	INIT	APP'D
1		3/27/2013	RELEASED FOR PRODUCTION	BJO	CGM

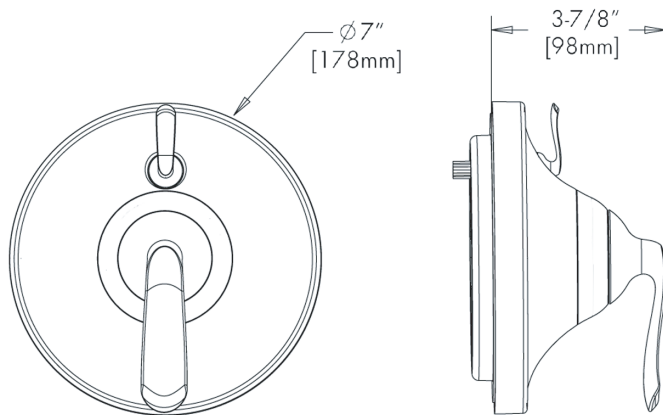


NOTES:

1. BAG TO BE SEALED
2. BAG TO BE LABELED/MARKED WITH MANUFACTURING DATE: "Mfg-mm/dd/yyyy"
3. BAG TO BE LABELED/MARKED WITH CORRECT PART IDENTIFICATION: SPEAKMAN
RPGXX-XXXX-(PC,BN,PN)
4. FINISH TO BE DESIGNATED BY ORDER REQUEST.

RPG05-0874 (2) (3) (4)
 RPG10-0102-(PC,BN,PN) (5)
 RPG04-0391-(PC,BN,PN) (6)

#	SPEAKMAN PART #	VENDOR PART #
2,3,4	RPG05-0874	
5	RPG10-0102-(PC,BN,PN)	
6	RPG04-0391-(PC,BN,PN)	



TOLERANCE UNLESS OTHERWISE SPEC'D X.X = ` .030" X.XX = ` .015" X.XXX = ` .005" FRACTIONAL = ` 1/64" ANGULAR = ` 1/2± CONC.WITHIN .006"		SPEAKMAN COMPANY WILMINGTON, DE		
		DRAWING TITLE REPLACEMENT PARTS FOR CPT-7400-P		
DRAWN BJO	CHK'D CJN	SIZE A	DWG NO. RPG-CPT-7400-P	REV 1
DATE 3/27/2013	APPRV'D CGM	SCALE NTS	SHEET 1 OF 1	