

STERLING®

A KOHLER COMPANY

MCALLISTER®

UNDER-MOUNT KITCHEN SINK 11406-NA

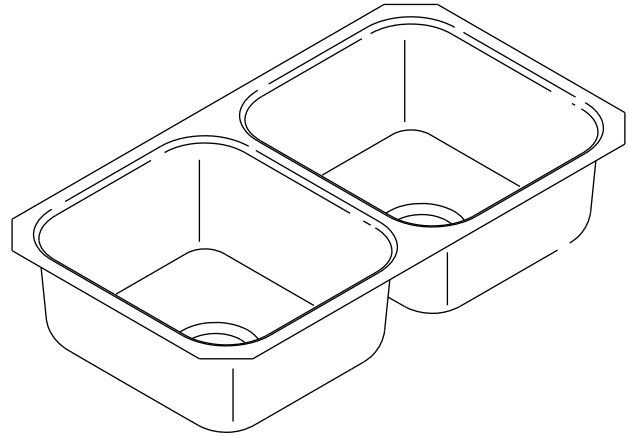
Features

- Includes SilentShield® sound-absorption technology
- Satin finish
- 20-gauge stainless steel
- One-piece steel construction, no center weld
- Under-mount rimless design
- 32" (813 mm) x 18" (457 mm) x 8-1/16" (205 mm)

Codes/Standards Applicable

Specified model meets or exceeds the following:

- ASME A112.19.3/CSA B45.4



Colors/Finishes

- NA: None applicable

Specified Model

Model	Description	Colors/Finishes
11406-NA	Stainless steel under-mount sink	<input type="checkbox"/> NA

Technical Information

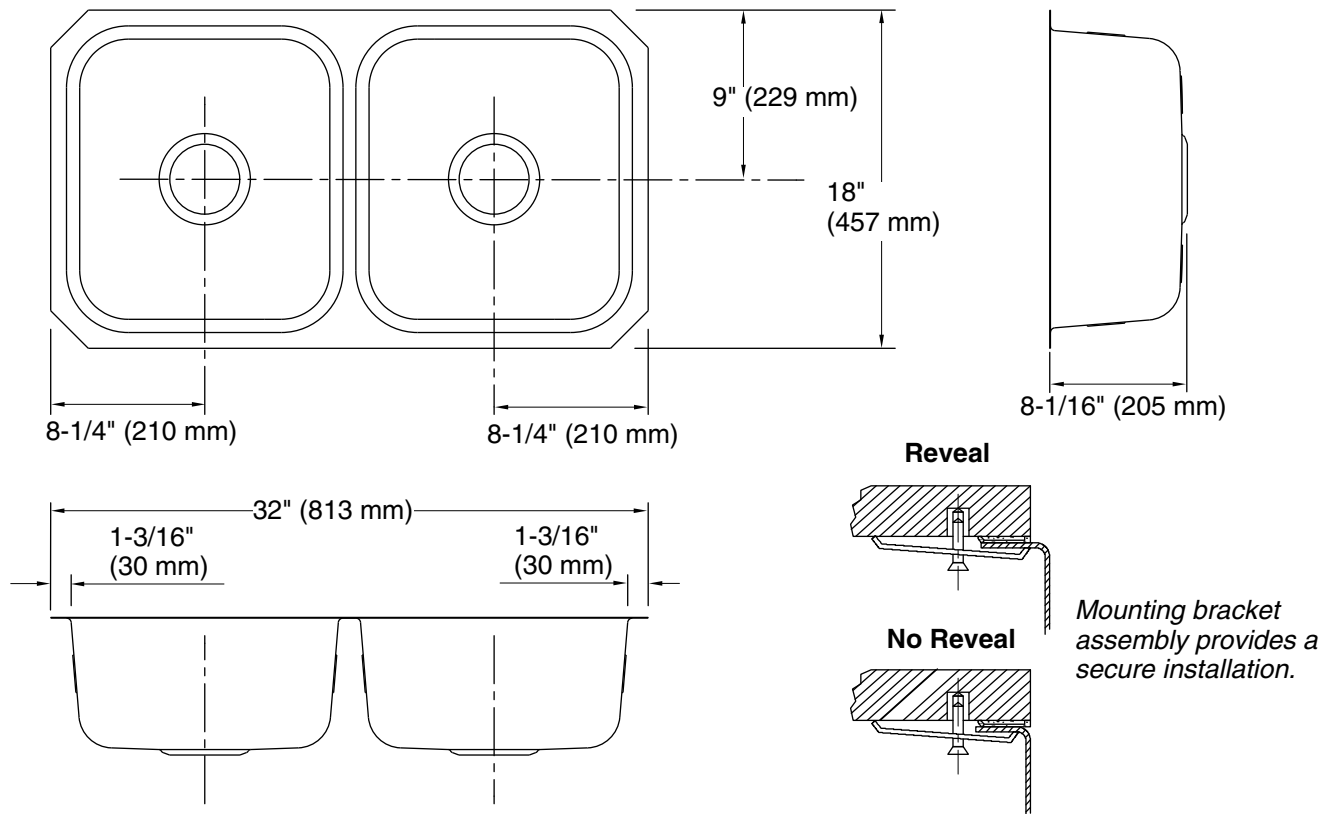
Fixture*:	
Bowl area	14-1/8" (359 mm) x 15-3/4" (400 mm)
Drain hole	Ø 3-5/8" (92 mm)
* Approximate measurements for comparison only.	

Included Components:	
Hardware kit	91915
Cut-out template	1041962-7

Installation Notes

Install this product according to the installation guide.

Use the supplied cut-out template to select either a hidden or exposed rim.



Product Diagram