

STERLING®

A KOHLER COMPANY

SOUTHHAVEN®

TOP-MOUNT KITCHEN SINK 11404

ADA

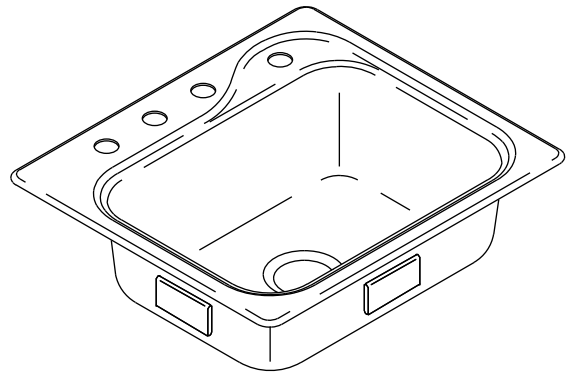
Features

- 20-gauge stainless steel
- Includes SilentShield® sound-absorption technology
- Single bowl, ledge back sink
- Top-mount, rolled rim
- Satin deck finish
- Luster bowl finish
- 25" (635 mm) x 22" (559 mm) x 7" (178 mm)

Codes/Standards Applicable

Specified model meets or exceeds the following:

- ADA
- ICC/ANSI A117.1
- ASME A112.19.3/CSA B45.4
- State of Massachusetts



Colors/Finishes

- NA: None applicable

Accessories

- CP: Polished Chrome

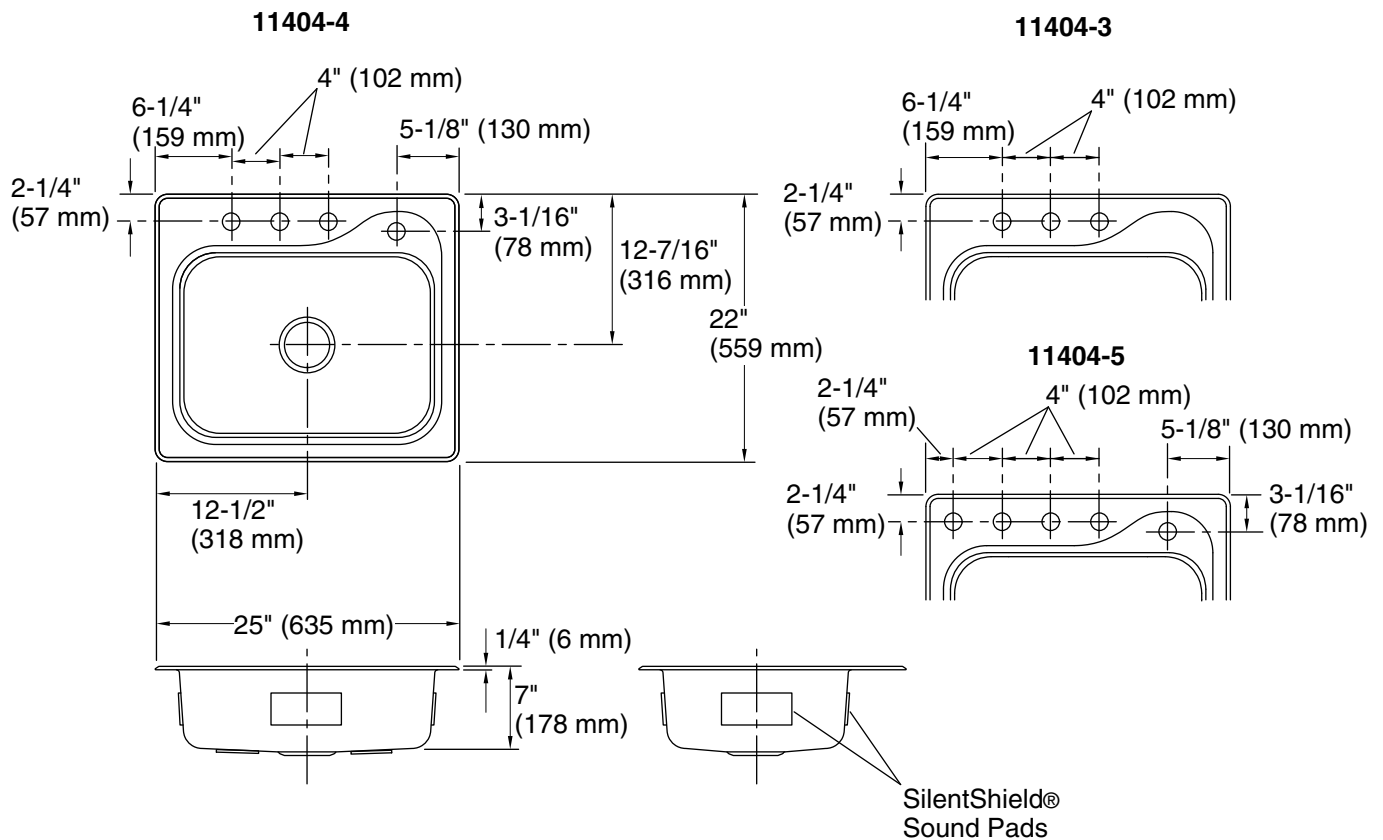
Specified Model

Model	Description	Faucet Holes	Quantity	Bowl Depth	Colors/Finishes
11404-3	Top-mount kitchen sink	3	1	7" (178 mm)	<input type="checkbox"/> NA
11404-4	Top-mount kitchen sink (shown)	4	1	7" (178 mm)	<input type="checkbox"/> NA
11404-5	Top-mount kitchen sink	5	1	7" (178 mm)	<input type="checkbox"/> NA
F11404-3	Top-mount kitchen sink, multi-pack	3	40	7" (178 mm)	<input type="checkbox"/> NA
F11404-4	Top-mount kitchen sink, multi-pack	4	40	7" (178 mm)	<input type="checkbox"/> NA
F11404-5	Top-mount kitchen sink, multi-pack	5	40	7" (178 mm)	<input type="checkbox"/> NA
Description					
K-8813	Stainless steel sink strainer with tailpiece				<input type="checkbox"/> CP

SOUTHHAVEN®

Technical Information

Fixture*: Sink	
Bowl area	21" (533 mm) x 15-1/4" (387 mm)
Drain hole	Ø 3-5/8" (92 mm)
Faucet holes	Ø 1-7/16" (37 mm)
* Approximate measurements for comparison only.	
Cutout size	24-1/2" (622 mm) x 21-1/2" (546 mm) with 1/2" (13 mm) radius corners
Cutout template	1032928-7 (available at sterlingplumbing.com)



Product Diagram