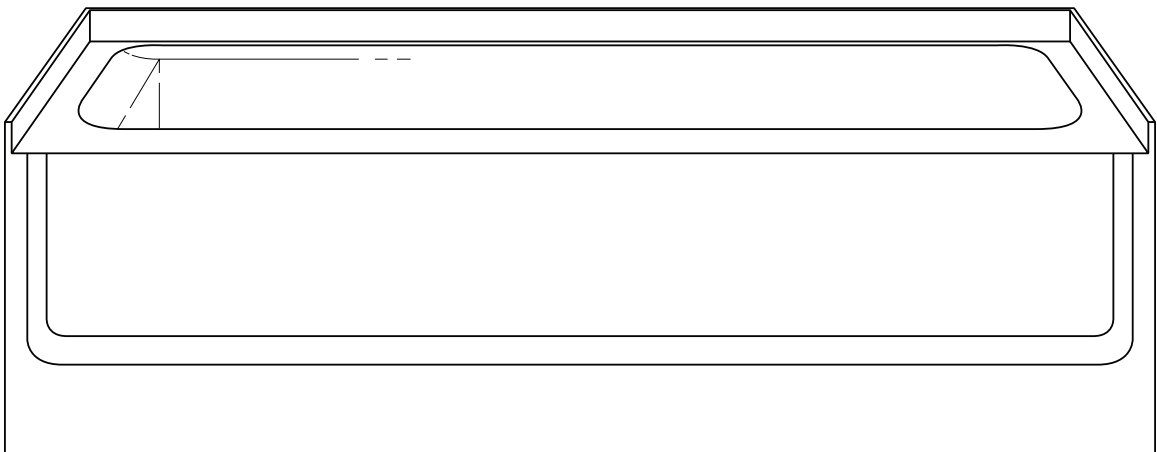




BT-3060 R Bathtub (right-side drain)
BT-3060 L Bathtub (left-side drain)

- **Product Warnings**
- **Safety Guidelines**
- **General Information**
- **Required Tools**
- **Preparation Tips**
- **Installation Procedure**
- **Special Application**
- **Care & Cleaning**
- **Warranty Information**



**Read and Understand
Before Installing**

The Swanstone Assurance — if our product is properly installed and maintained, as stated in these instructions, it will not leak.

Remember - Safety First

IMPORTANT NOTICE

The Swan Corporation, the makers of the Swanstone products, cannot anticipate every possible circumstance that might involve a potential hazard during the installation of our product(s). The warnings and instructions in this installation guide are, therefore, not all-inclusive. If a tool, installation procedure, or work method that is not specifically recommended by The Swan Corporation is used, you must satisfy yourself that it is safe. You should also make sure that the Swanstone product(s) will not be damaged by the methods you choose. The Swan Corporation will not be held responsible for water damage of any kind in connection with the installation of one of our Swanstone bath/shower/panel kits.

WARNING

To avoid product damage, personal injury, or even possible death, carefully read, understand, and follow all the instructions in this installation guide before installing this product(s). Do not use cleaning fluids or operate power tools unless you read and understand the instructions and warnings in this and all other applicable labels or manuals. Proper use of tools and the products described in this guide is your responsibility.

WARRANTY

This product is covered by a Limited Lifetime Warranty. Refer to the Warranty section in this manual for complete details.

Save this manual for future reference.

Important information on cleaning, maintenance, and repair is contained within.

Safety Guidelines

IMPORTANT NOTICE

IMPORTANT NOTICE: Indicates that equipment or property damage can result if instructions are not followed.



Read and Understand the Manual

It is the responsibility of any individual who installs or maintains this product to fully understand and follow proper installation and maintenance procedures. Be aware of the inherent dangers in the use of power tools when installing this product. Read and understand all Warnings, Cautions, and Important Notices in this manual.



Work Safely

DO NOT proceed if any doubt arises about the correct or safe method of performing anything found in this or other Swanstone manuals.

The installation of this product can require using power tools. Do not use power tools without adequate training. If necessary, hire or consult a trained professional for expert assistance before continuing.



Use Proper Tools

Always use proper tools which are in good, working condition during the installation of the Swanstone products. Using tools other than those listed could adversely affect the integrity of floors, pipes, walls, or this product and could result in water damage or other damage to floors, pipes, walls, or other portions of your building or home.



Do Not Use Nails

To prevent damage to the bathtub and possible water or other damage to floors, pipes, walls, or other portions of your building or home, do not nail or screw **through** the bathtub flange to secure it to the stud wall. Bathtub clips (included) must be used to secure the bathtub in place. Refer to the specific instructions in this manual for the proper installation of the bathtub clips.



Inspect Before Cutting

Make sure no electrical wiring or plumbing is present before cutting into a wall to install any accessories.

CAUTION

CAUTION: Indicates a potentially hazardous situation which, if not avoided, may result in minor or moderate injury. It may also be used to alert against unsafe practices.



Lifting Hazard

According to the National Institute for Occupational Safety and Health, the recommended maximum safe lifting weight is 51 pounds, with all lifting conditions perfect—minimal forward reach, steady load close to the body, straight back, load between knees and shoulders, and good grips. To avoid personal injury, always use these proper lifting techniques and use two people to move heavy cartons. Use the appropriate lifting devices to move the load. Always use two people when lifting heavy or bulky cartons. **DO NOT** attempt to lift objects that are too heavy.

WHEN CARRYING A HEAVY LOAD—GET HELP!



Slipping Hazard

Do not install this product in the presence of water. Installing this product without drying all surfaces, or in the presence of water, could cause you to slip and fall due to wet floors or spilled fluids. Personal injury can result from slips or falls. Before installation, dry all surfaces, including the floor, with a cloth or paper towel. Clean up all water or spilled fluids immediately.



Tripping Hazard

Personal injury can result from tripping over power cords, tools, or other items. **DO NOT** leave items laying around the work area.



Personal Protection

Be sure to use all personal protective equipment, such as sturdy work boots (preferably with steel toes), gloves, and hard hat, if necessary, to ensure your own safety. To prevent possible damage to your hearing, always wear ear protection, such as earmuffs or earplugs, when working around power tools.



Cutting Hazard

The installation of the Swanstone product may require using power tools. Keep hands away from the cutting edge of any tool used in the installation of our product. Placing fingers in or around the cutting blades could result in serious personal injury.

! WARNING

WARNING: Indicates a potentially hazardous situation which, if not avoided, could result in serious injury or death.



Eye Protection

Be sure to use all personal protective equipment to ensure your own safety. To avoid eye injury, always wear protective glasses with side shields when using power tools. Also, make sure no one else can be injured by flying particles when using power tools.



Fire Hazard

Personal injury or death can result from a fire caused by flammable liquids or silicone. Cleaners or solvents can be highly explosive, resulting in personal injury or even death, when not used properly. Clean up any flammable substance immediately. Sparks or open flames can cause flammable substances to ignite. **DO NOT** smoke while working on or near any flammable substance.



Solvents Hazard

Follow all manufacturer's safety instructions for silicone and denatured alcohol. Alcohol vapors are both flammable and hazardous to breathe. Silicone vapors may irritate eyes and nose. Personal injury can result from improperly handling or use of products such as denatured alcohol. Always follow the manufacturer's recommendations for the safe use of these products. Ventilate any work area before beginning to apply silicone, cleaning agents, or solvents.



Fumes Hazard

The fumes from the silicone and solvents used by the installer can be harmful if used in an unventilated room. Always work in a well-ventilated area.



Dust Hazard

When cutting or drilling the Swanstone product, use a dust collection method which prevents dust particles from going into the air. Always work in a well-ventilated area. Always use an OSHA approved dust mask when cutting, drilling, or sanding Swanstone products.



Power Tool Hazard

To prevent personal injury or possible death, always follow the electrical safety recommendations of the power tool's manufacturer. Do not use power tools in an unsafe manner. Power tools should only be connected to a circuit protected by a ground-fault circuit interrupter (GFI).



Shock Hazard

Never use electric power tools around water, condensation, or other liquids. Electric shock can cause severe burns, significant injuries, and even death. If an extension cord is required, always use an OSHA approved extension cord. Power cords should only be connected to a circuit protected by a ground-fault circuit interrupter (GFI).



Electrical Shock Hazard

Contacting live electrical wiring with power tools or hand tools can cause serious injury or death. Make sure all related circuit breakers are turned OFF. Test for live circuits or wiring inside any wall where installation of the Swanstone product requires cutting into a wall.



Electrocution Hazard

Water and other liquids conduct electric current and can create a short circuit, resulting in injury or death. Keep all liquids away from electrical cords and power tools. **DO NOT** create a short circuit between a source of electricity and a liquid by being in contact with both simultaneously.



Grab Bars

It is recommended that the bathtub walls be equipped with support grab bars that comply with the most recent edition of ANSI-A117.1 requirements. Grab bars must be anchored to structural support (wall studs) behind the Swanstone wall panels. Do not rely on the panels only for grab bar support!

General Information

General Information

Followed carefully, these installation instructions will result in an easy, trouble-free installation of your Swanstone BT-3060 Bathtub. When installing this bathtub with other Swanstone products, such as BA-3060 or other wall panel kits, read all the installation instructions in each kit before beginning installation. Any deviations, additions, and/or deletions from the prescribed installation, without prior written approval of our Customer Relations Department, will void the warranty covering this product. Not following the directions could also result in personal injuries, water damage, and other damage to floors, pipes, walls, and other portions of your building or home.

Required Tools

- Hammer
- Sabre saw (for cutting drain hole in subfloor)
- Tape measure
- Level
- Large head roofing nails (for bathtub clips)
- Filler (thinset or mortar)
- Clean paper towels or shop towels

Carton Contents

The bathtub carton contains one Natural Gloss Composite Bathtub; BT-3060 R (right-side drain) or BT-3060 L (left-side drain), and six metal bathtub clips. Confirm that all parts of this kit have been included before beginning installation.

Unpackaging

- Use care when opening the box so that you do not damage the bathtub.
- This product is shipped to you or your retail center after careful inspection. After purchasing the kit, carefully unbox and inspect the product for any shipping damage that may have occurred. Remove the protective plastic tub liner and inspect the bathtub for damage. If damage is found, report it immediately to the store of purchase. After inspection, replace the protective plastic liner. Before installation, protect the products from construction damage by moving them to another room or area until ready to install.
- Store the bathtub on a flat surface until the time of installation. Do not discard the plastic liner/protector from the bathtub until after the installation is complete. Do not store the bathtub in a vertical position, outside of the original packaging.
- Please use the model number located on the side of the box or the front of this manual when contacting us with questions concerning the installation of this unit.

- Make sure the bathtub is the correct size and is in good condition by removing the liner/protection and inspecting the surface of the bathtub. Installation of a damaged product will void the warranty.

Helpful Hints

- Read all instructions carefully BEFORE starting the installation. Familiarize yourself with the various parts of the kit.
- The variety of installations possible for this kit may require procedures other than those shown. Ensure construction is correctly sized, plumb, and square.
- Keep the plastic liner/protector in place for protection of the bathtub during the installation process.
- Store unused materials away from the work area to prevent accidental damage.
- If the bathtub is placed over a garage or on an outside wall, care must be taken to ensure that the bathtub is properly insulated from cold temperatures.

Preparation Tips

- If the BT-3060 Bathtub is installed in conjunction with the BA-3060 Bath Alcove Walls, please read both instruction manuals before proceeding. The BA-3060 Bath Alcove Walls **do not** require the installation of moisture resistant wall board.
- When installing the BT-3060 Bathtub with standard wall panels, measure the rough opening (moisture-resistant drywall) installed. This measurement must be 1/4" to 1/2" wider and at least 1/2" deeper than the actual size of the bathtub.
- Turn off the hot and cold water supply.
- Ensure all plumbing or electrical work inside the walls is finished prior to installation of the wall panels.
- The wall surface must have 1/2" (13 mm) moisture-resistant drywall, marine grade plywood, or concrete board installed after the installation of the bathtub. Never install our products directly on any surface that is, or may become, wet or damp.
- Make sure the drain hole in the subfloor or slab is large enough (6" diameter recommended), and aligns with the drain hole in the bathtub.
- Make sure the subfloor under the bathtub is level in both directions. The bathtub must be level when installed. Improper installation will void the warranty.
- The subfloor must be free of dirt, film, waxes, or any other residues.
- Verify the overflow drain plumbing will correctly connect to the bathtub.

Disclaimer

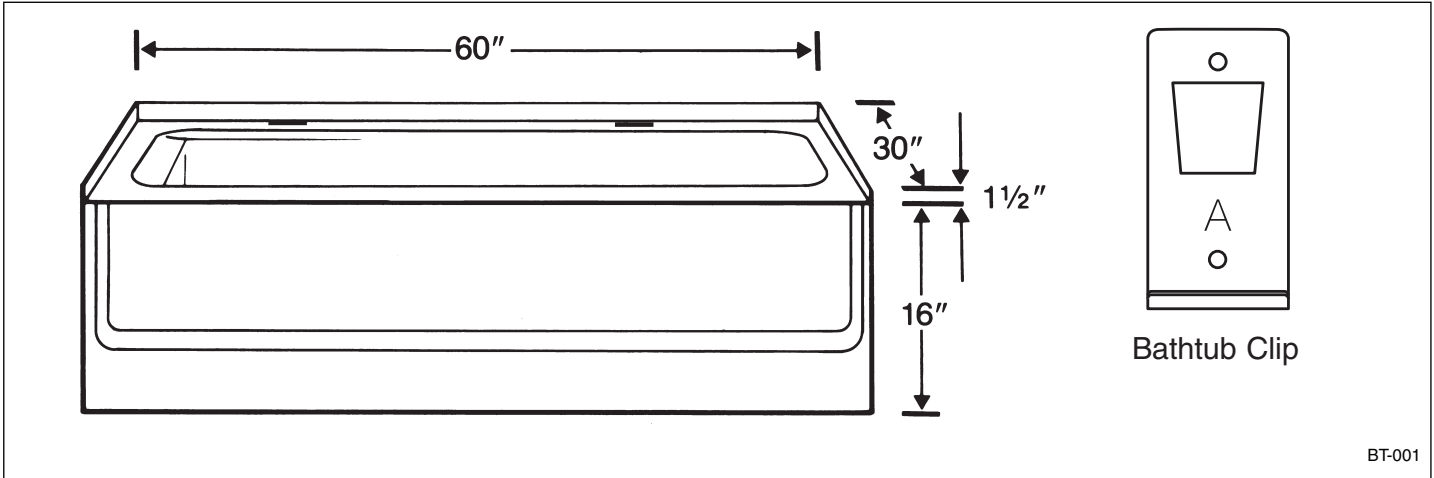
- The information contained in this Installation Manual is given free of charge. It is based upon technical data, which we believe to be reliable, and is intended for use by persons having knowledge of this technical area at their own discretion and risk. Swanstone assumes no responsibility for results obtained or damage incurred from the use of this material either in whole or in part by the buyer.
- This manual will give you basic instructions for the installation of the product in a step-by-step sequence that will work in most types of installations. If you have an installation application that is not covered in this manual, please call your local Swanstone distributor or contact the Swan Corporation directly for additional information about your application.
- Follow all installation instructions. Failure to follow these instructions could result in personal injuries, water damage, or other damage to floors, pipes, walls, or other portions of your building or home.

Installation Procedure

Preparation

The bathtub may be installed over any surface during any stage of construction. When installing the unit into a stud pocket, the unit should be set into place prior to wall finishing. If this unit is to be installed against a masonry wall, the bathtub must be secured to furring strips or other anchoring materials.

Note: If the BT-3060 Bathtub is installed in conjunction with the BA-3060 Bath Alcove Walls, please read both instruction manuals before proceeding. The BA-3060 Bath Alcove Walls **do not** require the installation of moisture resistant wall board.



IMPORTANT NOTICE

Temporarily remove the protective plastic liner and inspect the bathtub for damage. If damage is found, immediately report it to the store of purchase. Replace the plastic liner during bathtub installation and construction of the stud pocket wall surfaces.

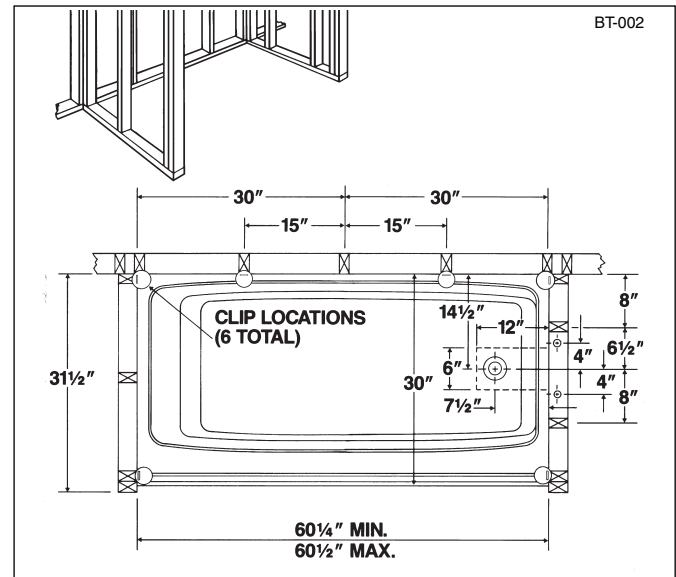
Rough Opening

Rough-in dimensions are suggested sizes and conditions may vary for each installation. To allow for stud wall and product variations and the thickness of the bathtub clips, the recommended rough opening must be 1/4" to 1/2" wider and at least 1/2" deeper than the listed size of the bathtub.

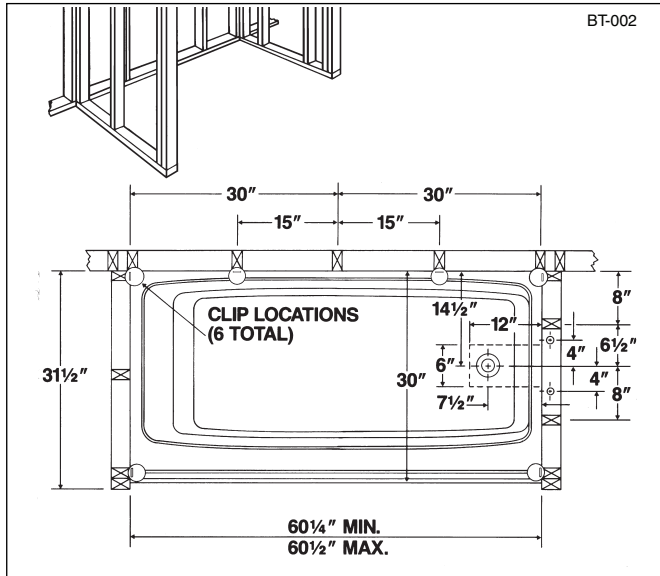
IMPORTANT NOTICE

Rough-in dimensions are provided for reference only. For a more exact fit, measure the actual bathtub and add an additional 1/8" to the measurement. Check local building code requirements before construction of the stud walls.

1. For new construction, build a wood or steel stud framework for the bathtub. Make sure all framing is plumb and square.



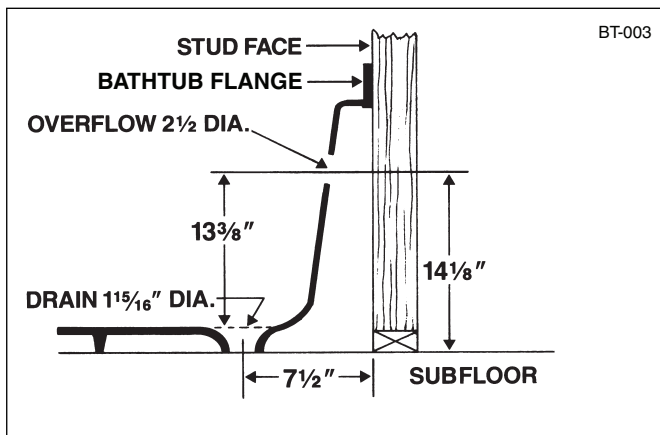
- For existing construction, after removal of the old bathtub, measure the alcove pocket to be sure the new bathtub will fit in the available space. It may be necessary to reconstruct one or more of the alcove walls.



Plumbing

All supply lines to valves, tub spout, and shower riser must be located prior to bathtub installation. This bathtub accepts a standard 16" adjustable drain and overflow fitting.

- Install plumbing supply lines, as well as waste and overflow, in accordance with the manufacturer's installation instructions.



IMPORTANT NOTICE

For remodeling, removal of a portion of the subfloor may be necessary. Replace the subfloor prior to bathtub installation. NEVER install the bathtub over open floor joists. The bathtub must be installed on a solid, level subfloor.

Moisture-Resistant Drywall

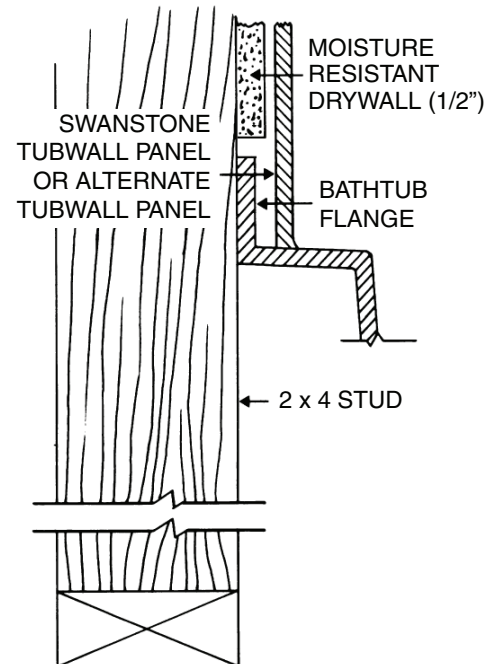
IMPORTANT NOTICE

The bathtub clips must be installed on the bathtub, in locations shown, prior to the bathtub being inserted into the stud pocket.

If the bathtub is to be installed against stud walls, the following procedures must be followed.

- For 1/2" moisture-resistant drywall, use the standard dimensions for the stud pocket (alcove) from Rough Opening section, Step 1, and install moisture-resistant drywall, as shown.

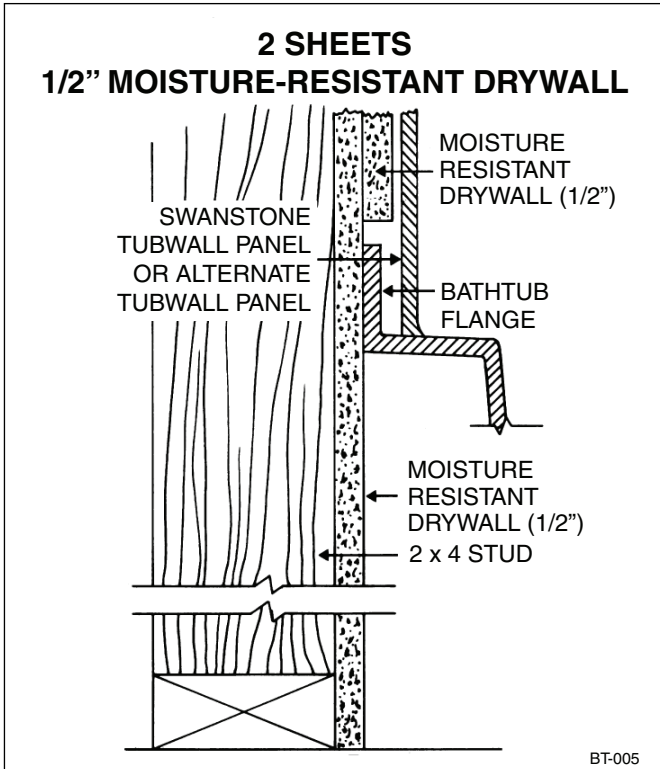
1/2" MOISTURE-RESISTANT DRYWALL



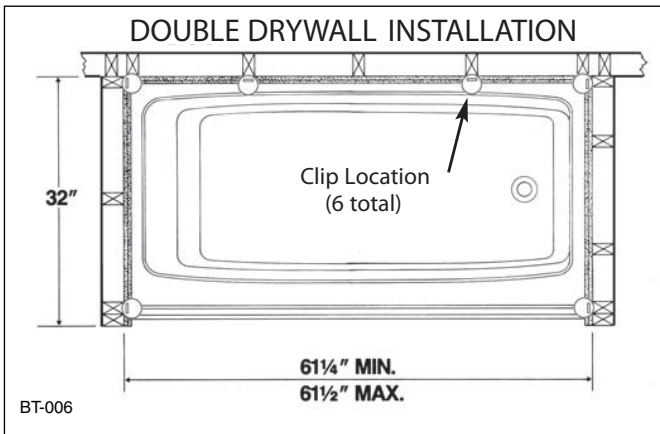
Installation Procedure

If the bathtub is to be installed over existing moisture-resistant drywall, the following procedures must be followed.

1. For double moisture-resistant drywall installation (based on two sheets of 1/2" moisture-resistant drywall), use the following dimensions for the stud pocket.



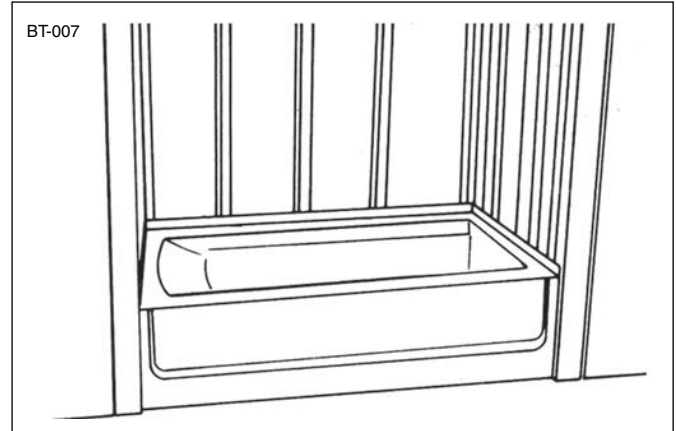
2. Install the moisture-resistant drywall, as shown.



Trial Fit Bathtub

Make sure the bathtub is level and all feet on the bathtub are making firm contact with the subfloor.

- It may be necessary to place shims under the bathtub for best overall subfloor contact. (See Special Application For Sound Deadening Or Fireproofing instructions).
- It may also be necessary to shim between the bathtub flange and the enclosure wall studs, or the existing drywall, for best overall bathtub clip contact.



Bathtub Installation

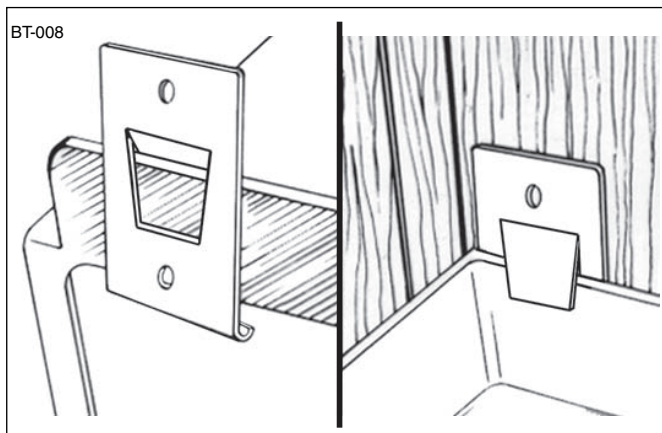
IMPORTANT NOTICE

Proper installation requires the bathtub to be set into a bed of mortar-type material (Quikrete). Improper installation will void the warranty.

1. Make sure the protective plastic liner is in the bathtub and/or place cardboard, or similar scratch-resistant material, in the bottom of the bathtub to prevent possible damage during further construction
2. Snap the six bathtub clips onto the 1-1/2" bathtub flange. Refer to the illustration in Step 1 of the Rough Opening section for proper clip placement.
3. Once installed, the clips are designed to slide on the bathtub flange to easily locate clips over the stud location.

IMPORTANT NOTICE

Make sure all the bathtub clips contact (fit against) the studs or existing drywall. If a gap exists, shim behind the clips to prevent damage to the bathtub flange when the bathtub clip nails are installed

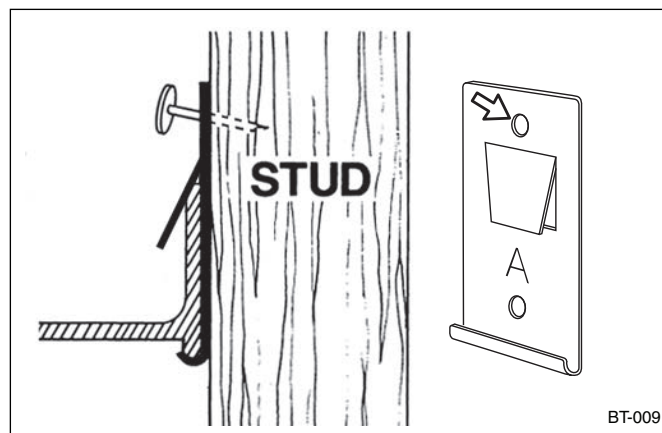


4. The bathtub is now ready for a slurry of fast drying cement (Quikrete or other product). Place a layer of mortar or thinset on the floor. This will ensure complete contact and support by the existing subfloor, eliminating bathtub flex during normal use.

IMPORTANT NOTICE

This product is not designed for above-the-floor mounting (the base of the bathtub must be fully supported by the subfloor). Any application of this type, or application other than that covered in this manual, will void the warranty.

5. Place the bathtub into the stud pocket and firmly press it into the mortar/thinset. Level the bathtub in both directions.
6. Secure the bathtub clips to the studs with large head roofing nails (one nail per clip). Allow the mortar/thinset to cure for 24 hours.



Installation Procedure

Special Application For Sound Deadening or Fireproofing

If the bathtub must be elevated above the subfloor for sound deadening or fireproofing, excluding above the floor rough in, the following procedures must be used:

1. Snap the bathtub clips on the bathtub flange and locate as noted in the dimensions illustration.
2. Install waste overflow on the bathtub, depending on plumbing conditions and manufacturer's waste recommendation. Refer to illustration in Plumbing section for dimensions.
3. Measure and locate 1 x 4's or 2 x 4's, as noted in the illustration in this section. Make sure there is full contact with the subfloor and the feet on the bottom of the bathtub.
4. Install the bathtub in the stud pocket making sure the bathtub is level in both directions and that the feet on the bathtub are making firm contact with 1 x 4's or 2 x 4's. If shimming is necessary, shim between 1 x 4's or 2 x 4's and the existing subfloor.
5. Secure the bathtub to the studs by attaching the bathtub clips with large head roofing nails (one nail per clip).

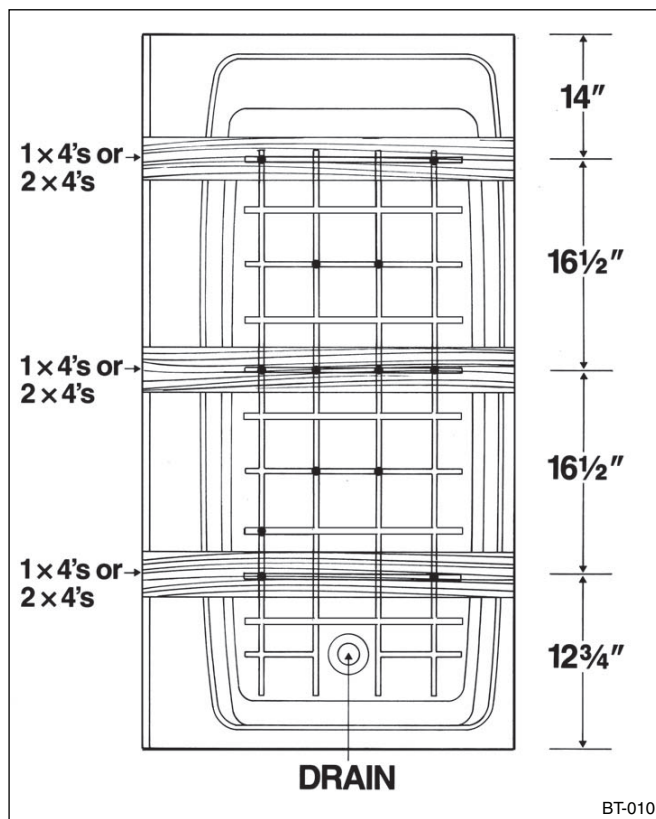
Note: Depending upon drywall application, the stud pocket should be framed out accordingly. Refer to the Drywall section for more information on drywall installation.

6. The bathtub is now ready for a slurry of fast drying cement (Quikrete or other product). This material must be poured under the bathtub to fill the areas between the 1 x 4's or 2 x 4's and the area between the bathtub. This will ensure complete support of the bathtub.
7. Allow the mortar/thinset to cure for 24 hours.

IMPORTANT NOTICE

This product is not designed for above-the-floor mounting (the base of the bathtub must be fully supported by the subfloor). Any application of this type, or application other than that covered in this manual, will void the warranty.

8. Place cardboard, or similar scratch-resistant material, in the bottom of the bathtub to prevent possible damage during further construction.



Water Testing

1. Before water testing the bathtub, remove any construction materials from the bathtub. Also remove the plastic liner/protector.
2. If possible, fill the bathtub with warm water and mild detergent. After draining the bathtub, rinse and if necessary, use a non-abrasive multipurpose cleaner.

Note: To remove especially tough residue or stains, use Acetone, Xylene, Toluene, Mineral Spirits or Methyl Ethyl Ketone (MEK). To remove adhesive or glue, use products containing Xylene or Toluene.

! WARNING



Solvents Hazard

Follow all manufacturer's safety instructions for silicone and denatured alcohol. Alcohol vapors are both flammable and hazardous to breathe. Silicone vapors may irritate eyes and nose. Personal injury can result from improperly handling or use of products such as denatured alcohol. Always follow the manufacturer's recommendations for the safe use of these products. Ventilate any work area before beginning to apply silicone, cleaning agents, or solvents.



Fumes Hazard

The fumes from the silicone and solvents used by the installer can be harmful if used in an unventilated room. Always work in a well-ventilated area.

The installation is now complete. DO NOT discard these installation instructions. PLEASE LEAVE THEM WITH THE HOMEOWNER.

Care and Cleaning

The BT-3060 Bathtub is made of Natural Gloss Composite reinforced polyester. The finish is stain and abrasion resistant; however, the finish requires reasonable care.

IMPORTANT NOTICE

Because cleaning products change over time, always check the manufacturer's instructions to make sure it is compatible. **DO NOT** use abrasive scouring powders, cleaners, or pads. They will dull the finish and void the warranty.

Day-To-Day Cleanup

Simply wash regularly with warm water; use a soft cloth with a mild liquid detergent such as Top Job, Ajax Liquid Cleaner, Mr. Clean All Purpose Cleaner, or Glass Plus.

Remove hard water stains or mineral build-up with scale removers such as Lime-Away.

Protect the finish with any fiberglass wax or automotive paste wax.

Caulking Joints

After installation of the wall panels or tile, inspect the caulking joints monthly for damage or any signs of separation from the mating surface. Cracks in the caulking will allow water to leak into the surrounding surfaces. **Reapply caulking to any joint showing signs of wear or cracking.** Failure to inspect and repair caulking joints will void the warranty.

LIMITED WARRANTY FOR RESIDENTIAL APPLICATIONS

If a Swanstone product covered by this warranty is found to be defective in materials or workmanship, after inspection by an authorized Swan Corporation representative, we will repair, or at our option, exchange the product for a similar model. This warranty extends for a designated period of time, so long as it remains in use in its original place of installation.

This warranty covers products installed in accordance with the Swan Corporation's installation instructions, used as recommended, and not damaged due to misuse, abuse, or improper installation. It does not apply to any seams or changes made to the product by professional tradesmen or fabricators.

The warranty applies only to the original purchaser and installation of these products in residential applications. It does not apply to commercial applications.

The Swan Corporation's option to repair or exchange the products under this warranty does not cover any labor or other costs of removal or installation, nor shall the Swan Corporation be responsible for any other incidental or consequential damages attributable to a product defect or to the repair or exchange of a defective product.

Limited Lifetime Warranty

Veritek Bathtubs

LIMITED WARRANTY FOR COMMERCIAL APPLICATIONS

If a Swanstone product covered by this warranty is found to be defective in materials or workmanship, after inspection by an authorized Swan Corporation representative, we will repair, or at our option, exchange the product for a similar model. This warranty extends for a designated period of time, so long as it remains in use in its original place of installation.

This warranty covers only products installed in accordance with the Swan Corporation's installation instructions, used as recommended, and not damaged due to misuse, abuse, or improper installation. It does not apply to any seams or changes made to the product by professional tradesmen or fabricators.

The warranty applies only to the original purchaser and installation of these products in commercial applications.

The Swan Corporation's option to repair or exchange the products under this warranty does not cover any labor or other costs of removal or installation, nor shall the Swan Corporation be responsible for any other incidental or consequential damages attributable to a product defect or to the repair or exchange of a defective product.

5-Year Limited Warranty

Veritek Bathtubs

Save these Installation Instructions for future reference. They provide important information on cleaning, maintenance, and surface repair of the Swanstone Wall Systems and Panels.

