



# T&S BRASS AND BRONZE WORKS, INC.

2 Saddleback Cove / P.O. Box 1088  
Travelers Rest, SC 29690



REG. #A2601  
ISO #9001

Model No.

B-0220

Item No.

Travelers Rest, SC: 800-476-4103 Simi Valley, CA: 800-423-0150 Fax: 864-834-3518 www.tsbrass.com

This Space for Architect/Engineer Approval

Job Name \_\_\_\_\_ Date \_\_\_\_\_

Model Specified \_\_\_\_\_ Quantity \_\_\_\_\_

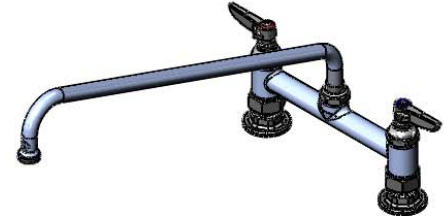
Customer/Wholesaler \_\_\_\_\_

Contractor \_\_\_\_\_

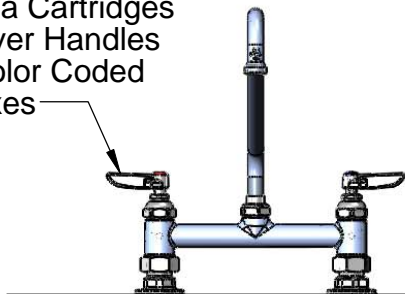
Architect/Engineer \_\_\_\_\_



**ADA Compliant**

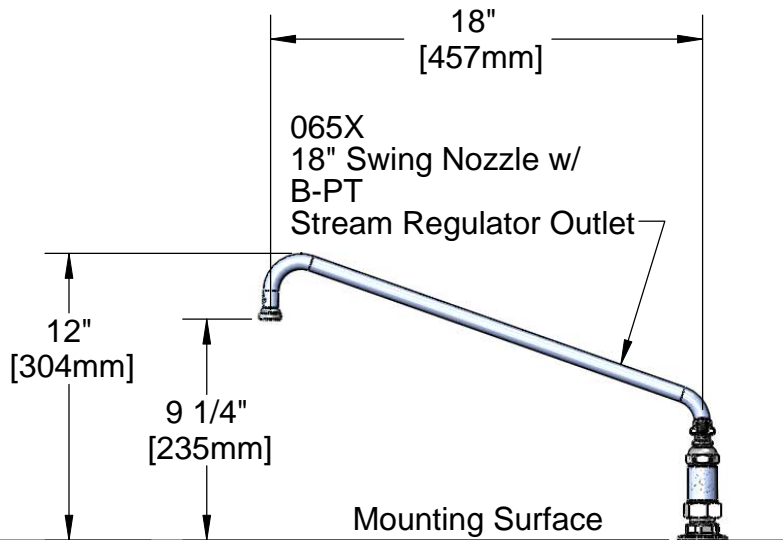


Eterna Cartridges  
& Lever Handles  
w/ Color Coded  
Indexes



8" c/c  
[203mm]

Adjustable from  
7 3/4" to 8 1/4"  
[197mm to 210mm]



Ø 2" [51mm]  
Flange w/  
1/2" NPT  
Female Inlet

**Note: Rough-In Requirement**  
(2) Ø 1" [25mm] Mounting Holes

Product Specifications:

Sink Mixing Faucet w/ Eterna Cartridges, 18" Swing Nozzle w/ B-PT Stream Regulator Outlet, Lever Handle & 1/2" NPT Female Inlets

Drawn DHL	Checked JRM	Approved JHB
Scale: 1:8		Date: 02/17/11



# T&S BRASS AND BRONZE WORKS, INC.

2 Saddleback Cove / P.O. Box 1088  
Travelers Rest, SC 29690



REG. #A2601  
ISO #9001

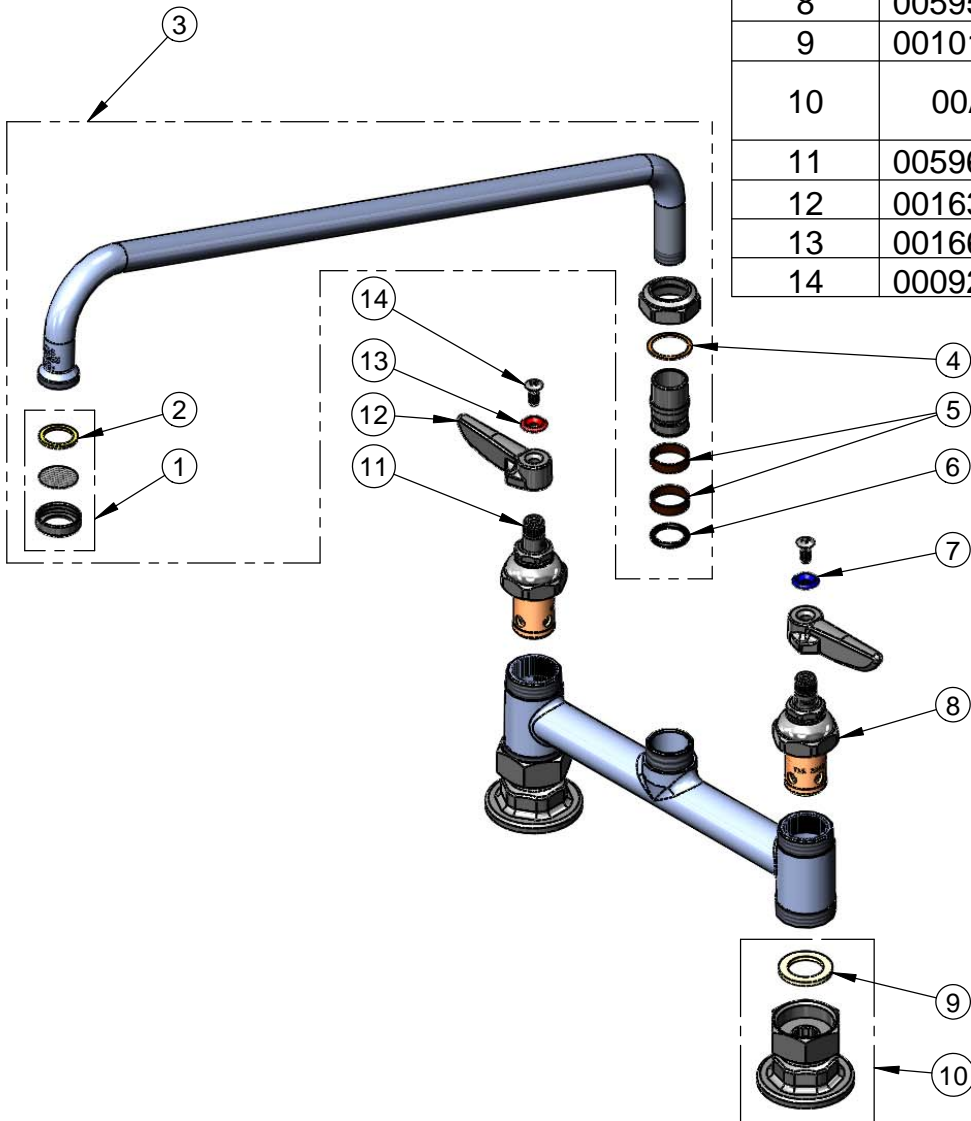
Model No.

B-0220

Item No.

Travelers Rest, SC: 800-476-4103 Simi Valley, CA: 800-423-0150 Fax: 864-834-3518 www.tsbrass.com

ITEM NO.	SALES NO.	DESCRIPTION
1	B-PT	Stream Regulator Assembly
2	001048-45	Nozzle Tip Washer
3	065X	18" Swing Nozzle
4	009538-45	Swivel Washer
5	011429-45	Swivel Sleeves (2)
6	001074-45	O-Ring
7	001660-45	Blue Index-CW
8	005959-40	Spindle Asm. Eterna "Cold"
9	001019-45	Coupling Nut Washer
10	00AA	Flange Assembly
11	005960-40	Spindle Asm, Eterna "Hot"
12	001638-45	Lever Handle
13	001661-45	Red Index-HW
14	000922-45	Lever Handle Screw



**Product Specifications:**

Sink Mixing Faucet w/ Eterna Cartridges, 18" Swing Nozzle w/ B-PT Stream Regulator Outlet, Lever Handle & 1/2" NPT Female Inlets

Drawn DHL	Checked JRM	Approved JHB
Scale: NTS		Date: 02/17/11