

TOTO®

Perfection by Design

LPT242G/LPT242 Prominence Pedestal Lavatory



LPT242.4G - Prominence Pedestal Lavatory

- 26" x 21½"
- Beautiful design with elegant curves
- 34" Universal Height for maximum comfort
- Luxury wash basin
- SanaGloss™ Technology: Super smooth, ion barrier glazing helps keep lavatory clean
- Rear overflow

Vitreous china pedestal lavatory.
Complete with mounting hardware.

- **LPT242G**
Pedestal lavatory with single hole and SanaGloss™ glazing.
- **LPT242.4G**
Same as LPT242G except with 4" centers.
- **LPT242.8G**
Same as LPT242G except with 8" centers.
- **LPT242**
Pedestal lavatory with single hole, less SanaGloss™ glazing.
- **LPT242.4**
Same as LPT242 except with 4" centers.
- **LPT242.8**
Same as LPT242 except with 8" centers.
- **LT242G**
Lavatory with SanaGloss™ and single hole.
- **LT242.4G**
Same as LT242G* except with 4" centers.
- **LT242.8G**
Same as LT242G* except with 8" centers.
- **LT242**
Lavatory only with single hole.
- **LT242.4**
Same as LT242 except with 4" centers.
- **LT242.8**
Same as LT242 except with 8" centers.
- **PT243**
Pedestal only, with mounting assembly.
Includes pedestal support brackets.

Colors:

Standard #01 Cotton

Optional See price book for additional colors.

*SanaGloss™ glazing is available in select colors.
Please consult price book for specific color offerings.

Faucet Not Included

LPT242G/LPT242

Prominence Pedestal Lavatory

■ DESIGN

Beautiful lavatory design featuring elegant curves, Universal Height and a sleek pedestal. The Prominence Pedestal lavatory is designed to compliment the Prominence Design Suite.

■ SPECIFICATIONS

Waste: 1¹/₄" O.D.
 Size: 26" x 21¹/₂"
 Basin: 23¹/₈" x 14³/₄"
 Height: Floor to Rim 34¹/₂"
 Warranty: Five Year Limited Warranty
 Material: Vitreous china lavatory and pedestal

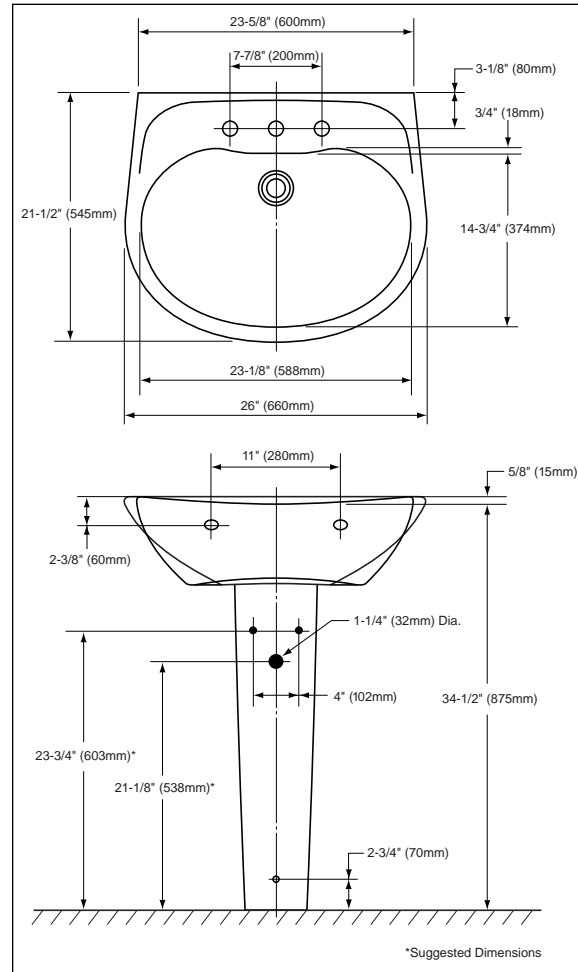
Shipping Weight: **LT242G / LT242.4G / LT242.8G**
LT242 / LT242.4 / LT242.8
 46 lbs.
PT243
 21 lbs.

Shipping Dimensions: **LT242G / LT242.4G / LT242.8G**
LT242 / LT242.4 / LT242.8
 26"L x 21-7/8"W x 8-1/2"H
PT243
 28-3/8"L x 7-1/4"W x 7-5/8"H

Fixture dimensions meet ANSI/ASME standard A112.19.2M and CAN/CSA B 45 requirements.

Listing / Approvals: IAPMO/UPC, CSA, City of Los Angeles, State of Massachusetts, and others.

These dimensions and specifications are subject to change without notice.



LPT242.8G - Prominence Pedestal Lavatory