

# TOTO® TS200AL55 & TS200AL65

## Transitional Collection Series A Multi-Spray Showerhead

### FEATURES

- WaterSense<sup>SM</sup> certified low-flow 2.0 gpm
- Multifunction showerhead with 5 spray modes
  - Spray
  - Spray & Massage Combo
  - Massage
  - Mist
  - Pause
- Rubber nozzles to prevent limescale build up
- G 1/2" connection

### MODELS

- TS200AL55  
4-1/2" showerhead  
4" diameter spray face
- TS200AL65  
5-1/2" showerhead  
5" diameter spray face

### COLORS/FINISHES

- #CP Polished Chrome
- #BN Brushed Nickel
- #PN Polished Nickel

### CODES/STANDARDS

- Meets or exceeds ASME A112.18.1/CSA B125.1
- Certifications: IAPMO(cUPC), EPA WaterSense, State of Massachusetts and others
- Code Compliance: UPC, IPC, NSPC, NPC Canada, and others



### PRODUCT SPECIFICATION

The multi-spray showerhead shall have a maximum flow rate of 2.0 gpm (7.6 lpm). TS200AL55 shall have a 4-1/2" showerhead and a 4" diameter spray face. TS200AL65 shall have a 5-1/2" showerhead and a 5" diameter spray face. Product shall have 5 multifunction spray modes. Spray modes shall be spray, spray and massage combo, massage, mist and pause. Product shall have rubber nozzles to prevent limescale build up. Product shall be TOTO Model TS200AL\_\_\_\_ #\_\_\_\_.



TS200AL55: Transitional Collection Series A Multi-Spray Showerhead 4-1/2"



TS200AL65: Transitional Collection Series A Multi-Spray Showerhead 5-1/2"

**Please note the following component is sold separately:**



TS200N6: Shower Arm 6"

# TS200AL55 & TS200AL65

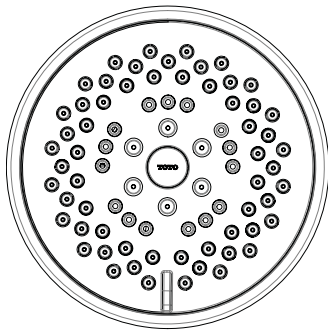
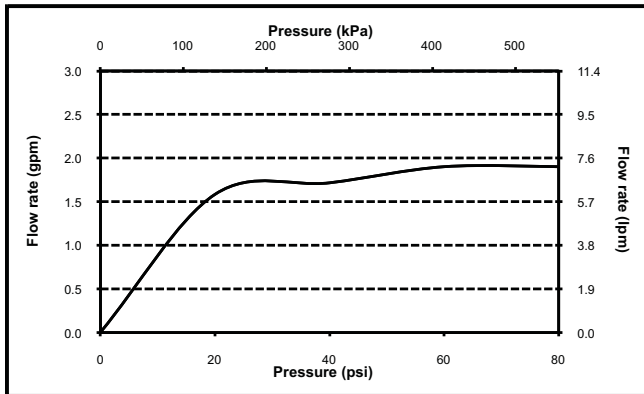
## Transitional Collection Series A Multi-Spray Showerhead

### SPECIFICATIONS

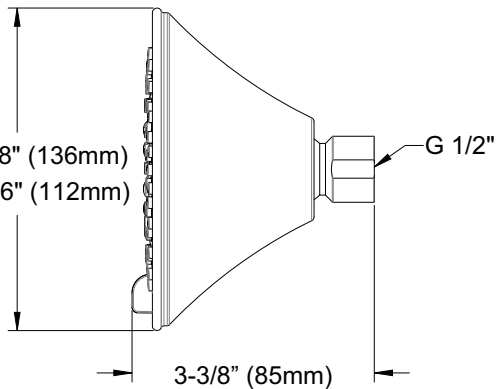
- Warranty: Lifetime Limited Warranty (Residential Use)  
One Year (Commercial Use)
- Material: Brass / Plastics
- Shipping Weight: TS200AL55: 0.9 lbs.  
TS200AL65: 1.0 lbs.
- Shipping Dimensions: TS200AL55 & TS200AL65:  
3-1/2" L x 5-3/4" W x 6-3/4" H
- Maximum Flow Rate: 2.0 gpm (7.6 lpm)

### INSTALLATION NOTES

OPTIONAL SHOWERHEAD COMPONENT:  
TS200N6: Shower Arm 6" sold separately.



TS200AL55: 5-3/8" (136mm)  
TS200AL65: 4-7/16" (112mm)



**TOTO**

*These dimensions and specifications are subject to change without notice*