

**MODELS**



**MODEL VG06029**

MODEL VG06021\*



**MODEL VG06068**

MODEL VG06061/MODEL VG06062/MODEL VG06063\*



**MODEL VG06039**

MODEL VG06031\*



**MODEL VG06069**

MODEL VG06061/MODEL VG06062/MODEL VG06063\*



**Right Drain  
Configuration**

**MODEL VG06019**

MODEL VG06011/MODEL VG06051\*



**Left Drain  
Configuration**

**MODEL VG06019**

MODEL VG06011/MODEL VG06051\*



**Right Drain  
Configuration**

**MODEL VG06019**

MODEL VG06011/MODEL VG06051\*



**Left Drain  
Configuration**

**MODEL VG06019**

MODEL VG06011/MODEL VG06051\*



**MODEL VG06049**

MODEL VG06041/MODEL VG06042\*

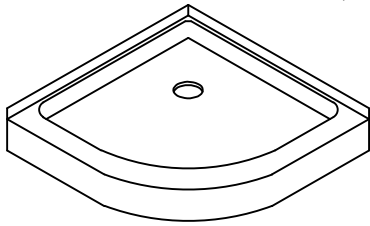
\* Corresponding Vigo Brand shower enclosure / shower door that goes with the Vigo Brand shower base depicted.



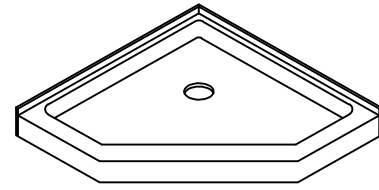
## TABLE OF CONTENTS

Models.....	1
Table of contents.....	2
Models, Notes to installer, Inspection guidelines.....	3
Dimensions.....	4
MODEL VG06029XXX36	
MODEL VG06029XXX40	
Dimensions.....	5
MODEL VG06039XXX36	
MODEL VG06039XXX40	
Dimensions.....	6
MODEL VG06049XXX4832C	
MODEL VG06049XXX4836C	
MODEL VG06049XXX6030C	
MODEL VG06049XXX6032C	
MODEL VG06049XXX6036C	
Dimensions.....	7
MODEL VG06068XXX3636	
MODEL VG06068XXX3838	
MODEL VG06068XXX4040	
MODEL VG06068XXX4242	
MODEL VG06068XXX4747	
Dimensions.....	8
MODEL VG06019XXX3232	
MODEL VG06019XXX3240	
MODEL VG06019XXX3248	
MODEL VG06019XXX3636	
MODEL VG06019XXX3648	
Dimensions.....	9
MODEL VG06069XXX36	
MODEL VG06069XXX38	
MODEL VG06069XXX40	
MODEL VG06069XXX42	
MODEL VG06069XXX47	
Diagrams of proper underlayment and a typical installation.....	10
Shower base installation instructions.....	11
Shower base installation instructions.....	12
Trouble shooting, care and maintenance.....	13
Shower base limited warranty.....	14

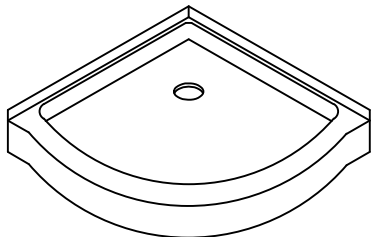
**MODELS, NOTES TO INSTALLER, INSPECTION GUIDELINES**



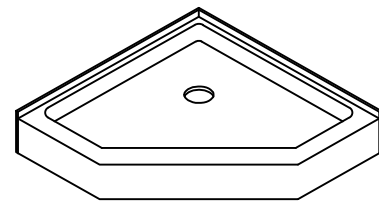
**MODEL VG06029**



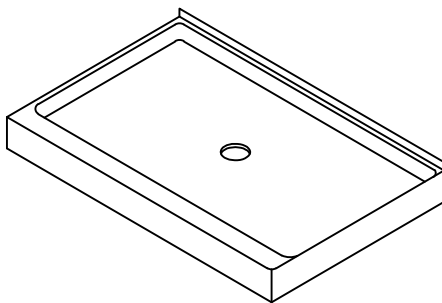
**MODEL VG06068**



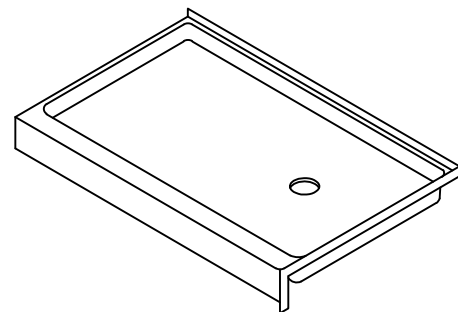
**MODEL VG06039**



**MODEL VG06069**



**MODEL VG06049**



**MODEL VG06019**

Thank you for purchasing the Vigo brand shower base. For the best results, please read and follow all directions carefully.

Vigo recommends that shown parts are installed by a qualified and trained professional.

**PRE-INSTALLATION PLANNING**

Do not store the base out doors. It is important to keep out of direct sunlight and exposure from the elements.

A careful review of these procedures before starting is important in avoiding unnecessary problems resulting in an improper installation which could cause significant damage.

**NOTE:** All drawings in this are representative of the individual base, and may appear different than the actual base being installed. In addition, items necessary for installation may be shown in the instructions. These will need to be purchased separately.

**Special Notes to Installer**

- It is the sole responsibility of the installer to determine, prior to the installation, the requirements necessary for compliance with all building codes local or otherwise, involving the base or the installation.
- All paperwork packaged with the base and any associated options or accessories should be saved and presented to the homeowner upon completion of the installation.
- All published base dimensions are for reference only. Any critical dimensions required for installation should be taken directly from the base being installed.
- Any alterations made to the base beyond those set forth with said installation can void all warranties. (Refer to *shower base limited warranty section* for further information.)


**Inspection Guidelines**

A careful check of the base should be conducted upon receipt. Notify your supplier immediately if any questions or problems are encountered during this process.

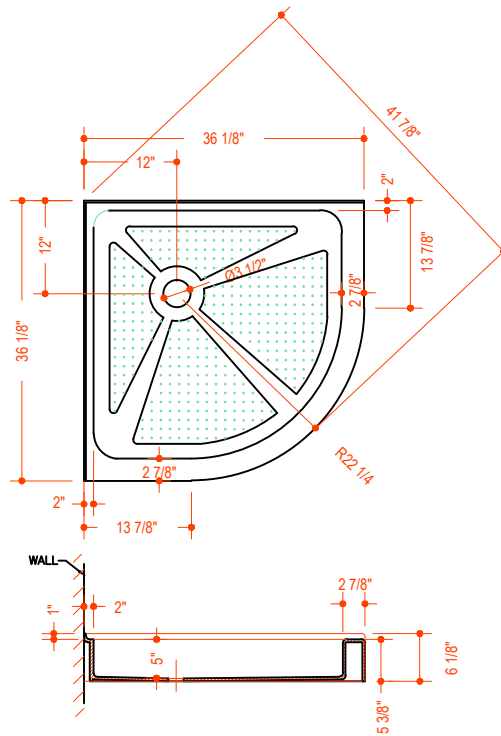
**DO NOT INSTALL ANY BASE WITHOUT FIRST ADDRESSING QUESTIONS WHICH ARISE DURING THE INSPECTION**

**Basic Module Check**

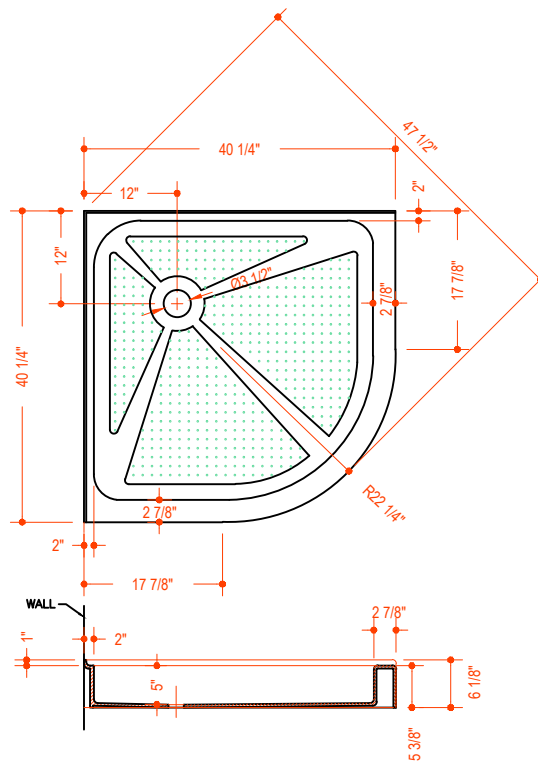
- Check that the base drain matches the bathroom drain location.
- Check for surface damage to the base.
- Verify base color is acceptable.

 = Important note and should be treated as such

### DIMENSIONS OF MODEL VG06029

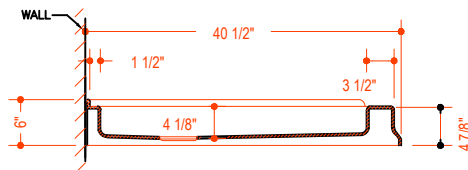
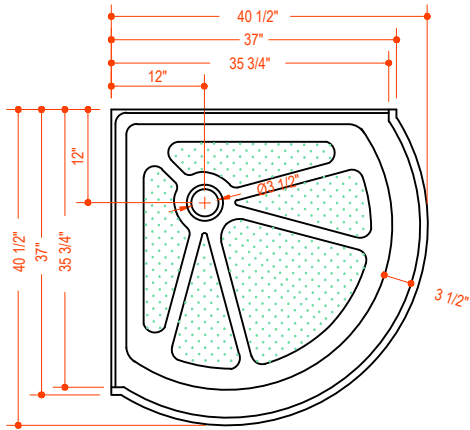


**MODEL VG06029XXX36**

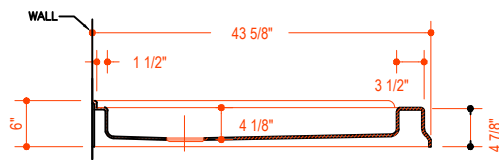
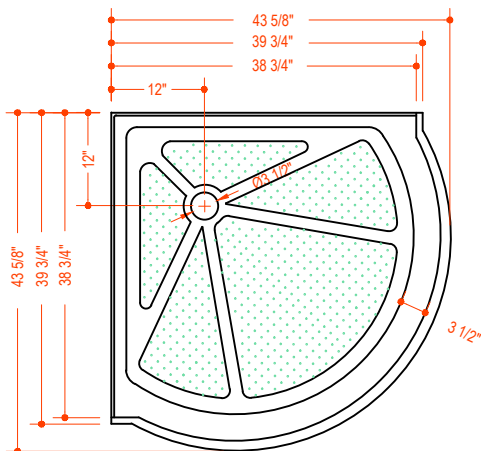


**MODEL VG06029XXX40**

### DIMENSIONS OF MODEL VG06039

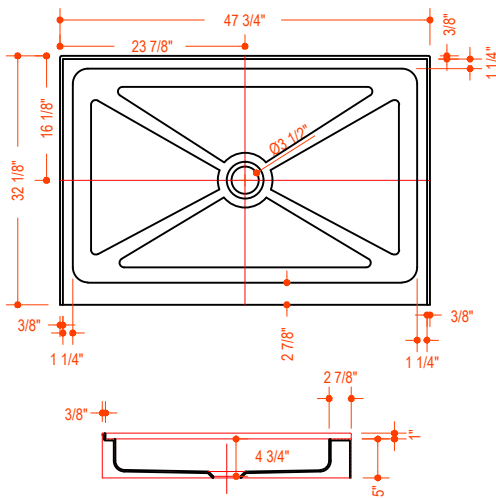


**MODEL VG06039XXX36**

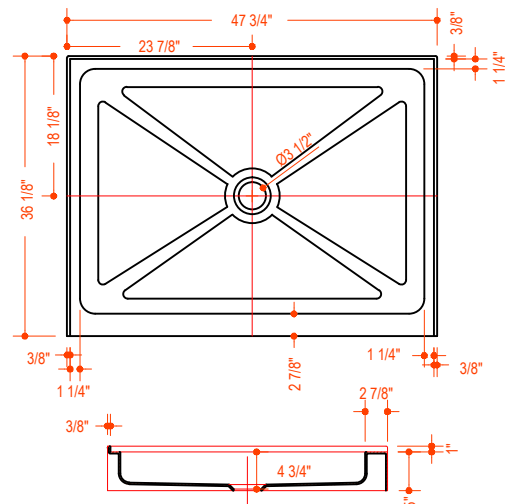


**MODEL VG06039XXX40**

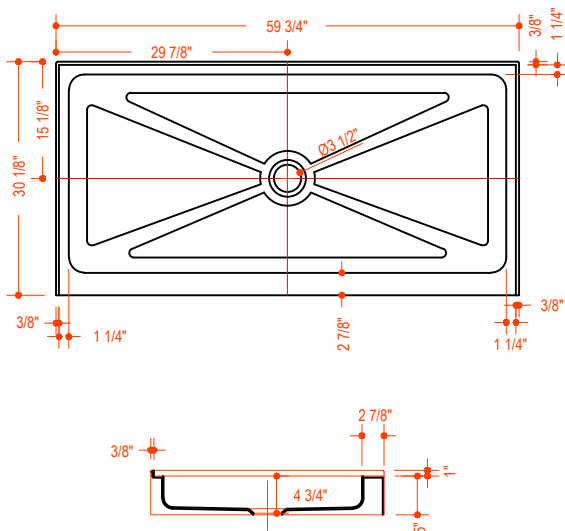
**DIMENSIONS OF MODEL VG06049**



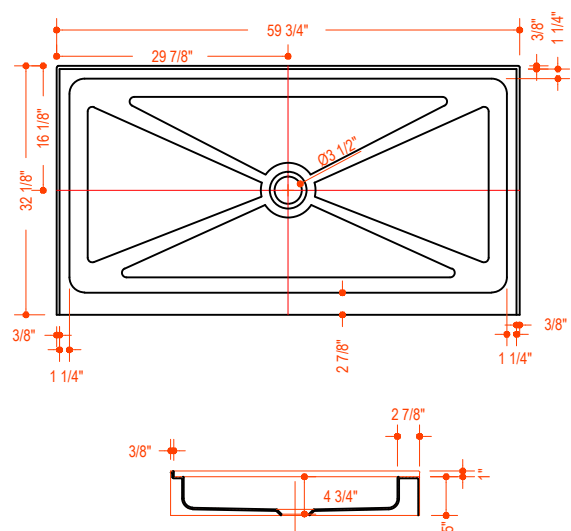
**MODEL VG06049XXX4832C**



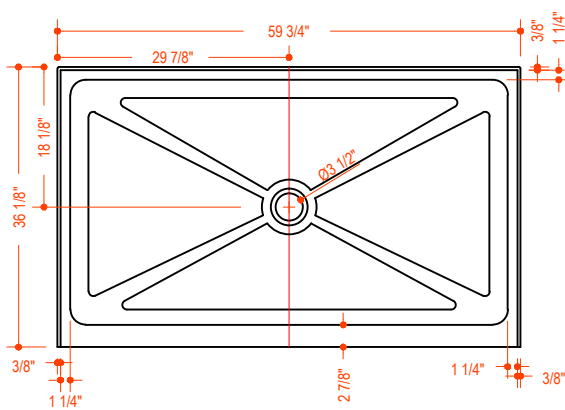
**MODEL VG06049XXX4836C**



**MODEL VG06049XXX6030C**

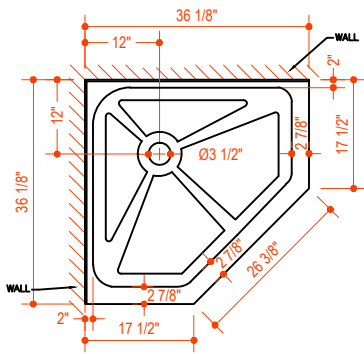


**MODEL VG06049XXX6032C**

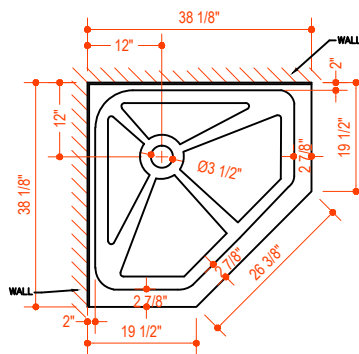


**MODEL VG06049XXX6036C**

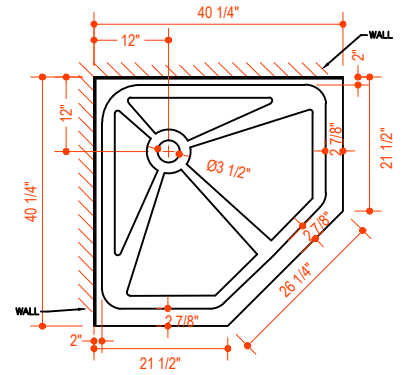
**DIMENSIONS OF MODEL VG06068**



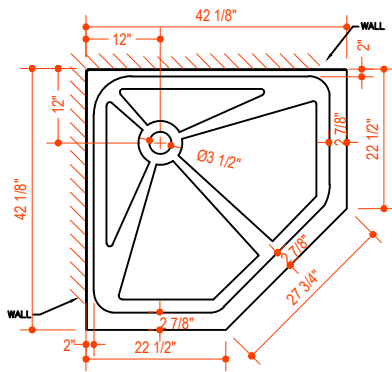
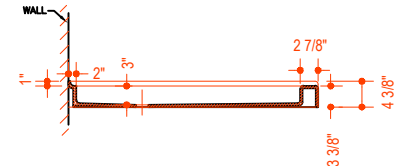
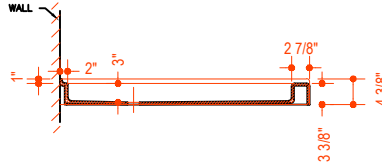
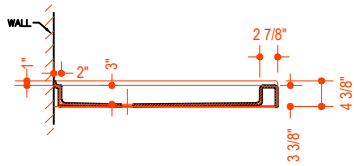
**MODEL VG06068XXX3636**



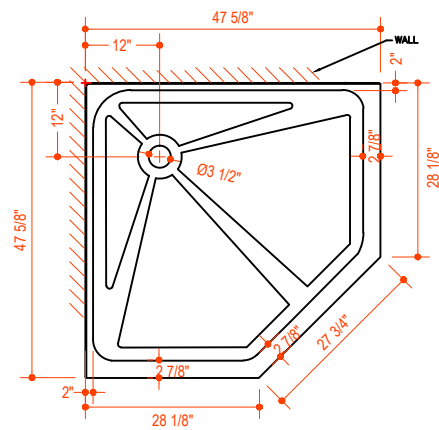
**MODEL VG06068XXX3838**



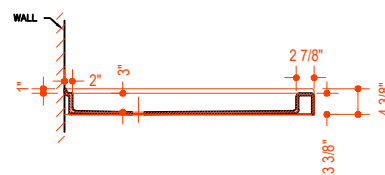
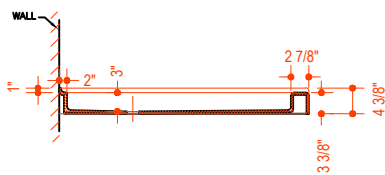
**MODEL VG06068XXX4040**



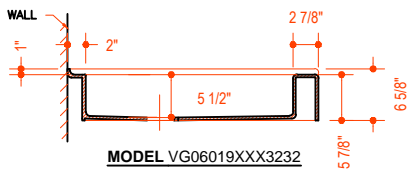
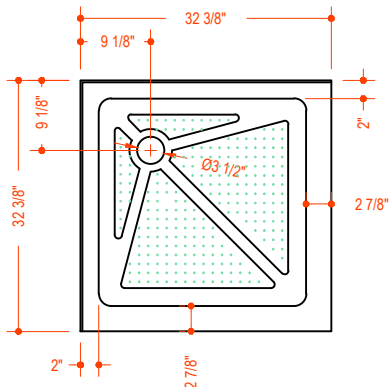
**MODEL VG06068XXX4242**



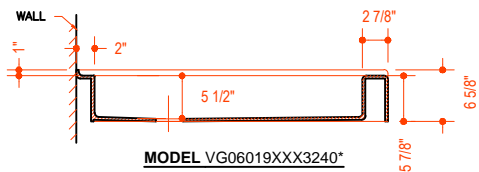
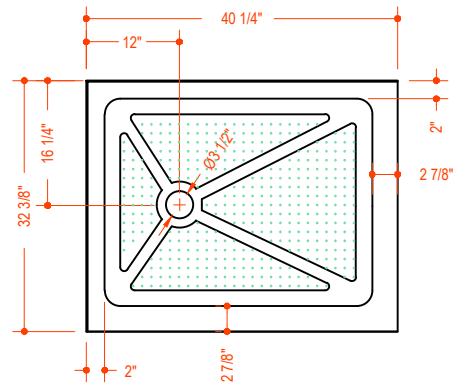
**MODEL VG06068XXX4747**



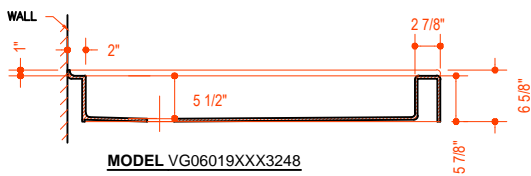
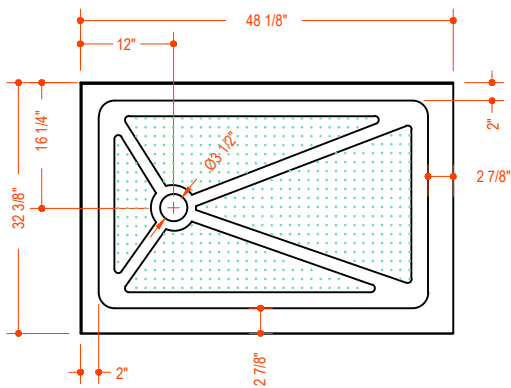
### DIMENSIONS OF MODEL VG06019



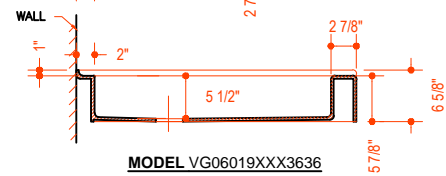
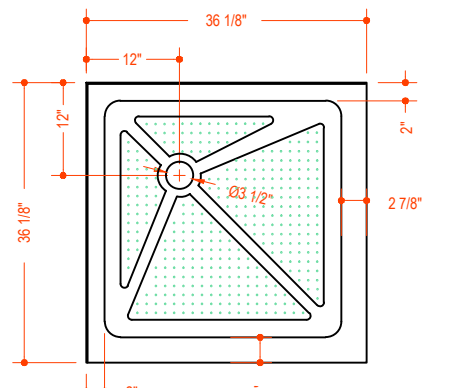
**MODEL VG06019XXX3232**



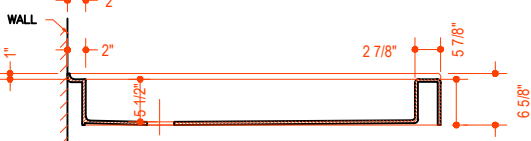
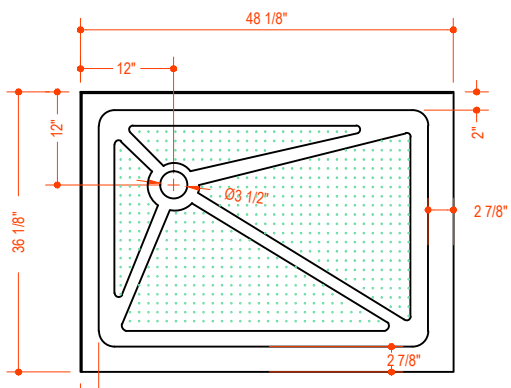
**MODEL VG06019XXX3240\***



**MODEL VG06019XXX3248**



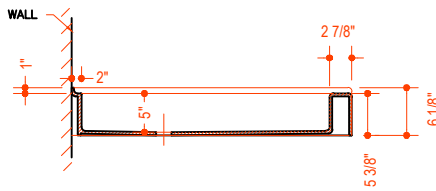
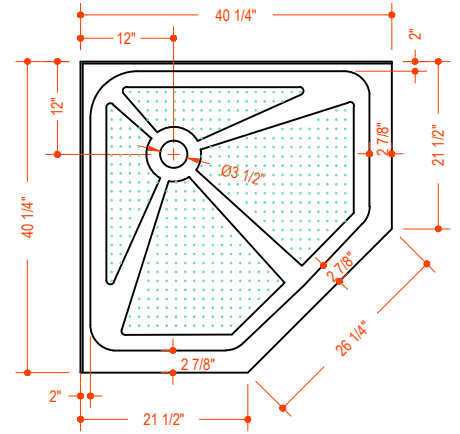
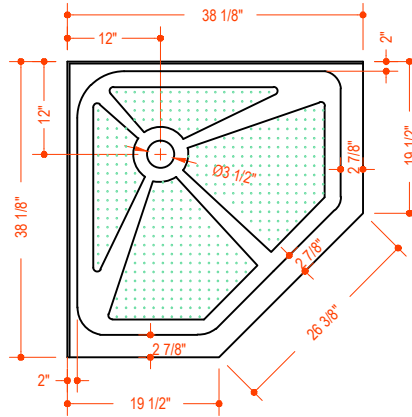
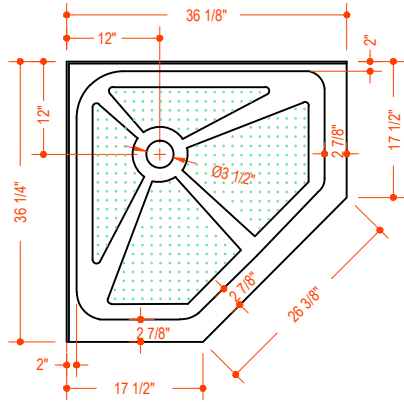
**MODEL VG06019XXX3636**



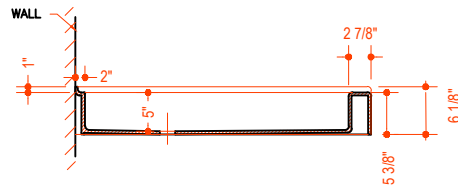
**MODEL VG06019XXX3648**



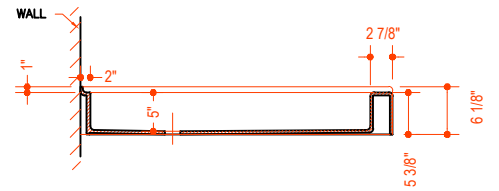
**DIMENSIONS OF MODEL VG06069**



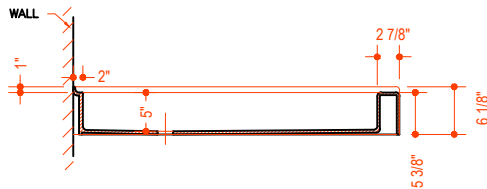
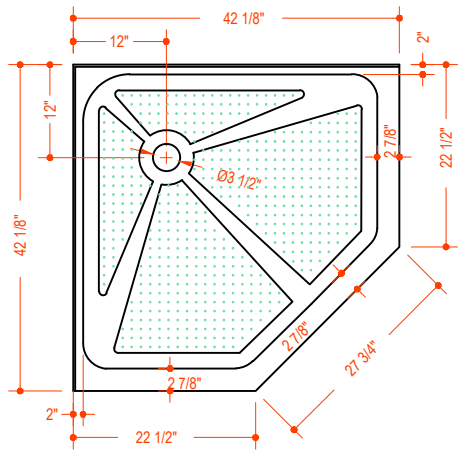
**MODEL VG06069XXX36**



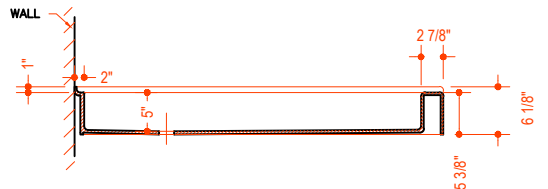
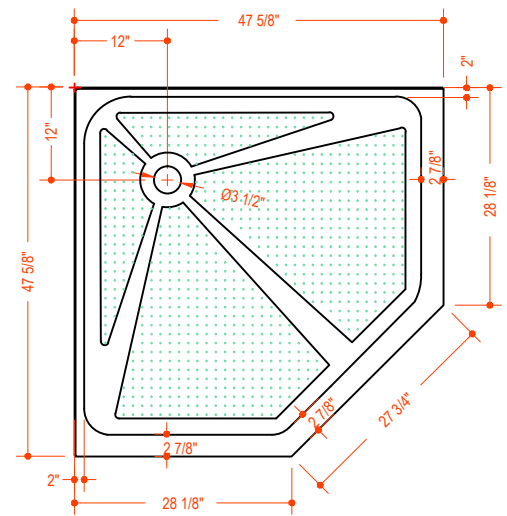
**MODEL VG06069XXX38**



**MODEL VG06069XXX40**



**MODEL VG06069XXX42**



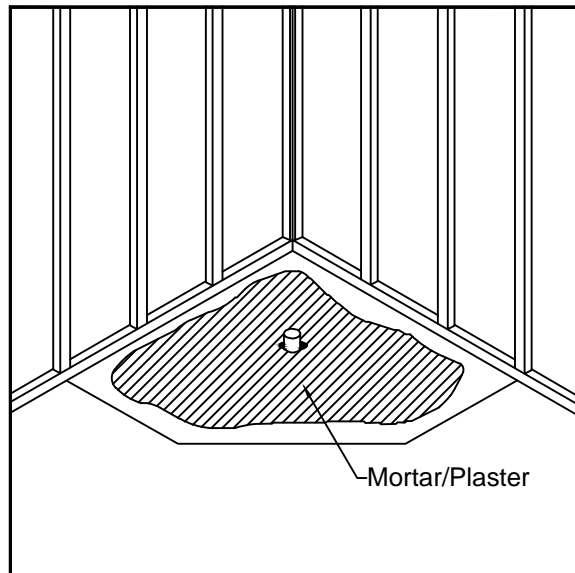
**MODEL VG06069XXX47**

## DIAGRAMS OF PROPER UNDERLAYMENT AND A TYPICAL INSTALLATION



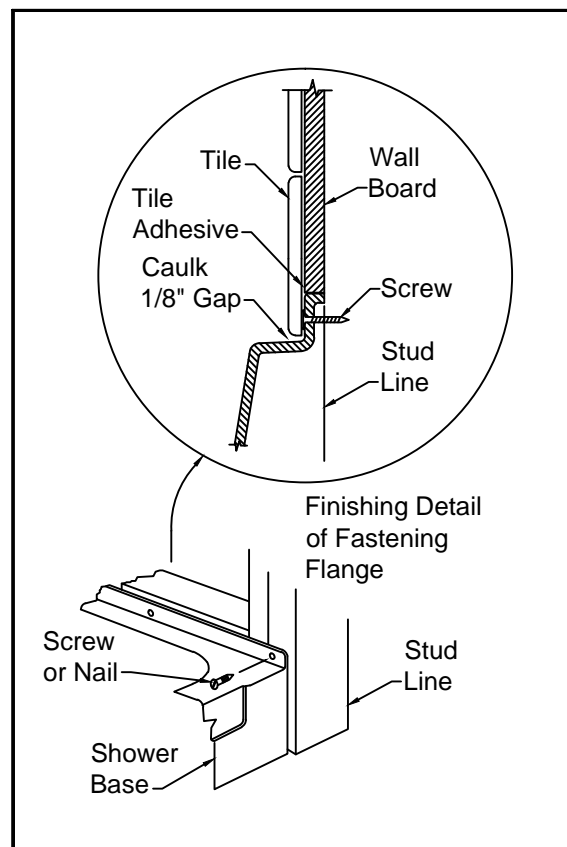
### IMPORTANT NOTE

Make sure to use the proper underlayment base product (mortar / plaster) under the base prior to installation. Base this off proper building requirements which may be impacted from age or location of dwelling. Unless the proper underlayment is utilized, your base may not be able to perform to its rated weight limit which may cause person or property damage.



### IMPORTANT NOTE

The diagram to the right is representative of a typical installation, however depending on your individual circumstances, this installation may need to be modified. Ensure that all construction meets any necessary building codes whether local, municipal, or otherwise.



## SHOWER BASE INSTALLATION INSTRUCTIONS

1) Vigo does not provide any drainage fittings or P trap with the Vigo Brand Shower Base.

2) Important note - Please review your specific drain manufacturer's instructions for proper installation and follow local acceptable plumbing code.

**3) Before starting of installation it is important that the floor and all framing be square and level.**

### Installation Procedure

4) Position the base in the intended final location and check the following details before final installation:

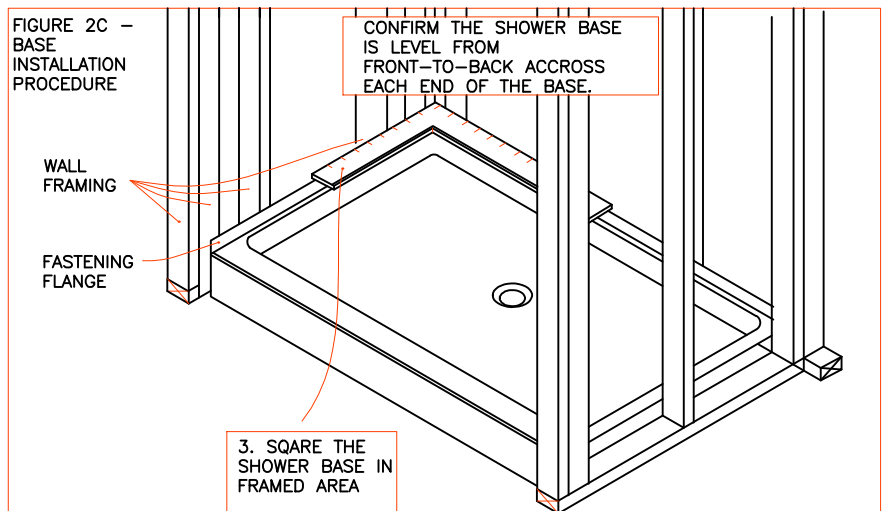
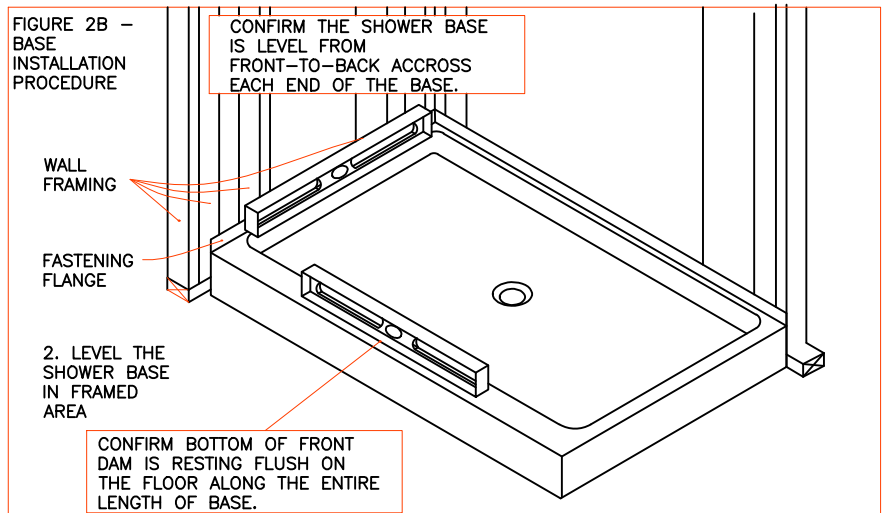
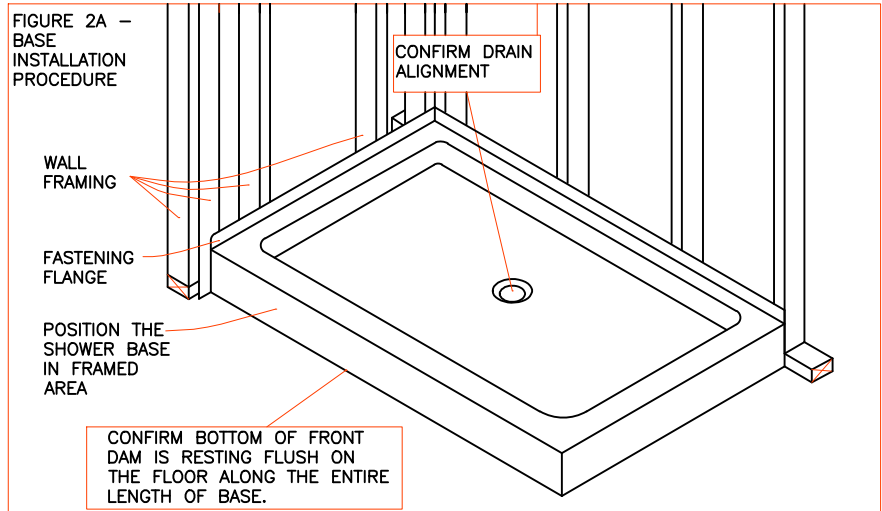
(Figure 2a, 2b and Figure 2c);

- Confirm dam is resting flush on the floor.
- Confirm drain placement.
- Confirm the top of base is level on all sides.
- Confirm the base is square in the alcove framework.
- Confirm the front inside corner is plumb at each end. (This is critical for the proper installation of an enclosure)
- All plumbing and drainage has to be installed before securing the shower unit to ensure correct positioning.

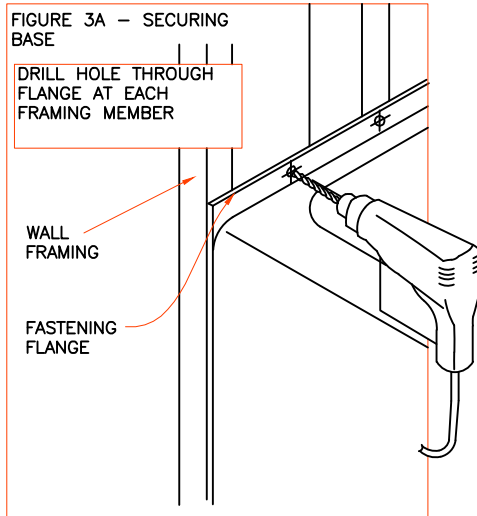
**The base must be positioned square in the alcove framework.**

The use of shim or filler material behind the fastening flange at each framing member may be required to maintain the base in the proper position.

After the base is confirmed leveled and square in the alcove, predrill holes that are in alignment to the stud or framing. Secure the base in place across the back wall first, followed by the flanges. Using 1-1/4 inch long appropriate fasteners. Attach the base to the framing making sure to confirm the base remains square after each fastener is installed until all fasteners are installed. (Figure 3a and 3b on following page)



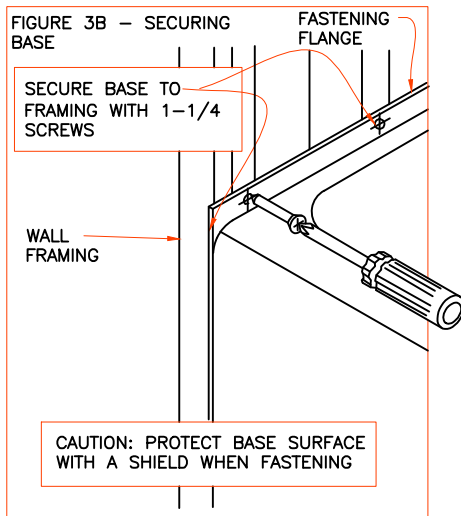
## SHOWER BASE INSTALLATION INSTRUCTIONS



**CAUTION:** It is advisable to protect the base surface with a thin plywood or cardboard shield while fastening the flange to the framing.

**WARNING! THE BASE BOTTOM SHOULD BE CLEAR OF ALL POTENTIALLY DAMAGING DEBRIS AND THE SURFACE PROTECTED BEFORE STEPPING INSIDE.**

Please ensure that the base remains free of potentially damaging debris before proceeding with finishing of enclosure.

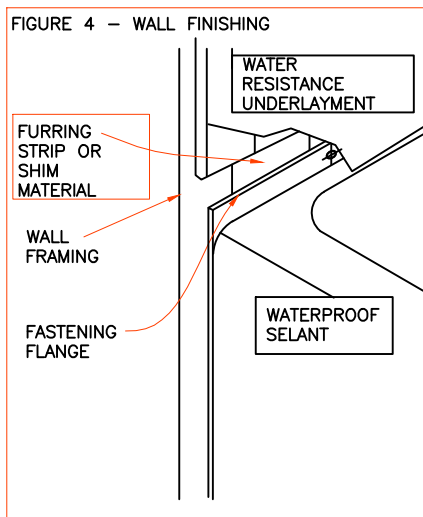


### Post Installation Finishing

Furring strips or filler material may be required. (Figure 4).

A water resistant underlayment is recommended on areas surrounding the base. Leave a gap of 1/16 to 1/8 inch from the base surface, and fill the space with a continuous bead of waterproof sealant.

Carefully fasten the underlayment near the base to avoid damaging the base surface. Seal the seams and edges of the underlayment, as required, and install the finish material to specifications. (Figure 4)



**WARNING NEVER USE ABRASIVE CLEANERS, MATERIALS, ACIDS, OR SOLVENTS ON THE BASE SURFACE.**

Through routine use, the base surface can collect residues from soap, bath additives and natural body oils. Additional deposits can also collect from minerals or particles found in the water.

After each use, wipe the excess water from the base. This practice will reduce the buildup of deposits and help maintain the natural base luster.



### TROUBLESHOOTING

PROBLEM	POTENTIAL CAUSE	CORRECTIVE ACTION
1 - After installation if the base flexes when stepped on	1 - Not enough underlayment was used	1 - Contractor to remove and reinstall with proper amounts of underlayment
2 - Base does not drain	2 - The base was not installed level	2 - Check pitch with a level and reinstall accordingly
3 - Drain hole is in incorrect corner per desired location	3 - Ordered incorrectly	3 - Contact your Vigo retailer for methods of resolution

### CARE AND MAINTENANCE

- Routine Cleaning: Mild, non-abrasive cleaner specifically formulated for gelcoat and acrylic surfaces recommended. (Rinse surface thoroughly.)
- Heavy Soap Deposits: Liquid ammonia household cleaner, applied full strength. (Rinse surface thoroughly.)
- Stubborn Stains: Liquid household cleaner or hydrogen peroxide, applied full strength. Place a saturated clean rag directly on stain and let stand several hours. (Rinse surface thoroughly.)
- Hard Water Scales: Liquid scale remover or white vinegar, applied full strength. (Rinse surface thoroughly.)
- Mold/Mildew: Liquid mildew remover or baking soda and water paste. Apply paste and allow to fizz several minutes. (Rinse surface thoroughly.)

TOLL FREE: (866) 591 - 7792

E-Mail: [techmail@vigoindustries.com](mailto:techmail@vigoindustries.com)

[www.vigoindustries.com](http://www.vigoindustries.com)



# VIGO INDUSTRIES, LLC (“VIGO”) SHOWER BASE LIMITED WARRANTY



EFFECTIVE JANUARY 1, 2010

VIGO offers the following limited warranty on each of its Shower Base products\* (the “Product”). This warranty extends only to the original owner or end-user for personal household use. For commercial uses, additional limitations apply.

VIGO warrants the Product to be free from defects in workmanship and materials under normal use and service for a period of two (2) years from the initial date of purchase by the owner or end-user, contractor, or builder, from VIGO or an authorized VIGO dealer.

Subject to the Warranty Service provision below, any product reported to the authorized dealer or to VIGO as being defective within the warranty period will be repaired or replaced (with a product of equal value) at the option of VIGO. This warranty extends to the original owner or end-user and is not transferable to a subsequent owner.

Neither the distributor, authorized VIGO dealer, nor any other person has been authorized to make any affirmation, representation, or warranty other than those contained in this warranty. Any affirmation, representation, or warranty other than those contained in this warranty shall not be enforceable against VIGO or any other person.

VIGO reserves the right to modify this warranty at any time, it being understood that such modifications will not alter the warranty conditions applicable at the time of sale of the products in question.

#### Limitations

This warranty shall not apply to instances of incorrect operating procedures, breakages, or damages caused by fault through improper installation, carelessness, abuse, misuse, misapplication, improper maintenance, or alteration of the Product, as well as chemical or natural corrosion, accident, fire, flood, an act of God, or any other casualty. Avoid abrasive cleaners, steel wools, and harsh chemicals as these will scratch, damage, and / or dull the product and / or finish and void this warranty. The owner/end-user of the Product covered by the present warranty is entirely responsible for its proper installation and any applicable plumbing or electrical wiring. VIGO neither installs nor supervises the installation nor hires a contractor for this purpose; consequently, VIGO cannot be held responsible for any default, breakage, or damages caused thereby or resulting thereof, either directly or indirectly.

The owner/end-user must provide access to the components of the Product as described in the installation guide so that VIGO can execute the warranty specified herein. If such access is not available, all expenses to provide said access will be the responsibility of the owner/end-user.

This warranty does not apply to Products that have not been installed or operated in accordance with instructions supplied by VIGO and all applicable rules, regulations, and legislation pertaining to such installations.

This warranty does not apply unless the VIGO Product is installed by fully insured licensed professionals. VIGO strongly recommends that such licensed professionals have experience in the installation of bathroom and kitchen products. Installation of certain products, including, without limitation, glass products (i.e., shower doors and glass sinks) by an inexperienced person may result in glass breakage and, consequently, cause personal injury or death.

VIGO is not liable for personal injuries or deaths to any persons or for any direct, special, incidental, or consequential damage, loss of time, loss of profits, inconvenience, incidental expenses, labor or material charges, or any other costs resulting from the use of the product or equipment or pertaining to the application of the present warranty, or resulting from the removal or replacement of any product or element or part covered by this warranty.

EXCEPT AS OTHERWISE PROVIDED ABOVE, VIGO MAKES NO WARRANTIES, EXPRESSED OR IMPLIED, INCLUDING WARRANTIES OF MERCHANTABILITY AND FITNESS FOR A PARTICULAR PURPOSE OR COMPLIANCE WITH ANY CODE.

In any case, VIGO cannot be held liable for any amount over and above the purchase price paid for the Product by the owner/end-user, contractor, or builder.

#### Commercial Limitations

In addition to the above conditions and limitations, the warranty period for products installed for commercial applications or used in commercial ventures is one (1) year from the initial date of purchase by the owner/end-user, contractor, or builder from an authorized dealer. VIGO is not responsible for loss of use or profit under any circumstances. If the product is used as a display, the warranty period begins when the product is placed on display. This warranty gives the owner/end-user specific legal rights. The owner/end-user may also have other rights which can vary from one state or province to another.

#### Warranty Service

In order to obtain service provided under this warranty during regular business hours, contact the dealer or distributor who sold the base, or contact VIGO directly. VIGO will provide the warranty service described above when the following conditions have been met: the failure is of the nature or type covered by the warranty; the user has informed an authorized VIGO Agent or VIGO’s warranty service department representative of the nature of the problem during the warranty period; conclusive evidence (e.g., proof of purchase or installation) is provided to the foregoing by the user proving that the failure occurred or was discovered within the warranty period; an authorized independent service person or company representative has been permitted to inspect the product during regular business hours within a reasonable time after the problem was reported by the user. VIGO’s warranty obligation shall be discharged upon tender of replacement or repair. The customer’s refusal to accept the tender terminates VIGO’s warranty obligations.

\*Certain models are pending approval.

Certification may be ended by VIGO or certification agencies without notice.