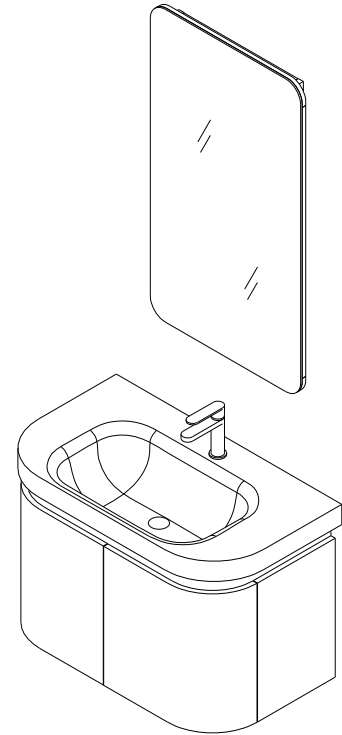




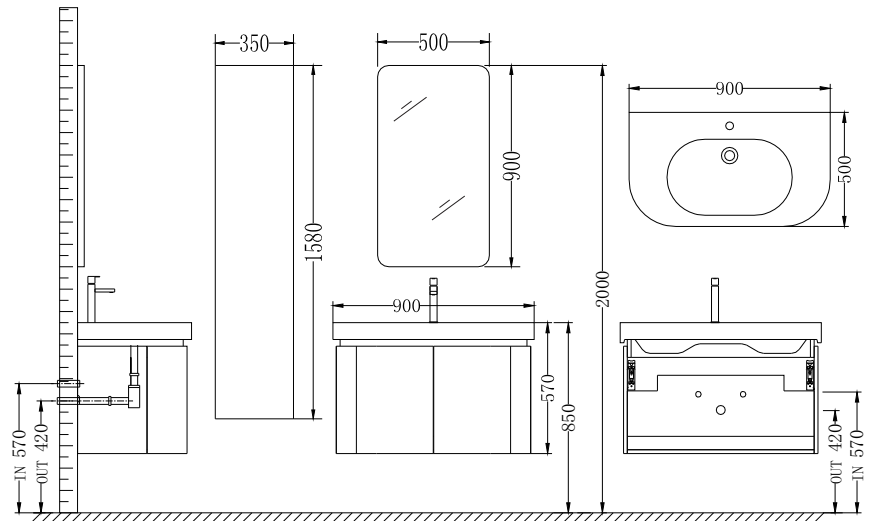
VIRTU USA

MODEL:ES-1836

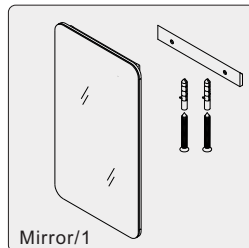
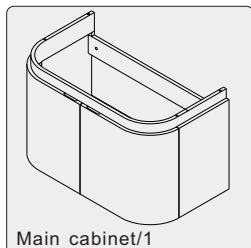
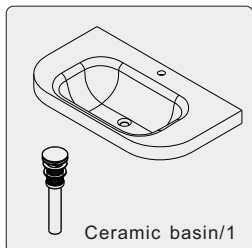
- Please check your product packaging to make sure the included accessories are in the "list of standard accessories" , if defect please immediately contact the local dealer.
- Please do not let any sharp scratch the cabinet surface.
- Please do not let any part of cabinet under longtime solarization, it will cause part aberrations of cabinet color.
- Please do not let hot items touch the surface of cabinet directly or please insulate with a cushion.
- Please do not let the surface of cabinet exposure to corrosive liquids, such as alcohol, banana oil, gasoline, nail polish, acid, alkali and so on.



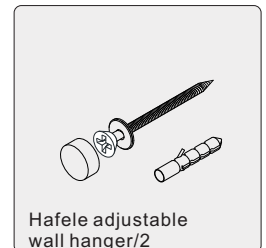
### INSTALLATION



### MAIN BODY PARTS



### INSTALLATION PARTS

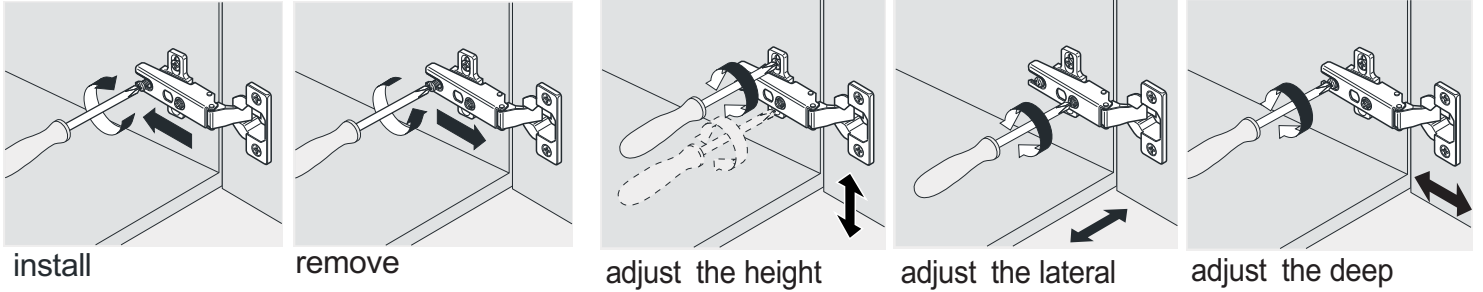


*Virtu USA vanities are handcrafted and may vary with a minor manufacturing tolerance. Natural stone characteristics are very subjective and may vary with natural veining, crystallization and lining.*

# ERECTING TOOL



## INSTALL,REMOVE,ADJUST OF TOP FAST LOADING HINGE



install

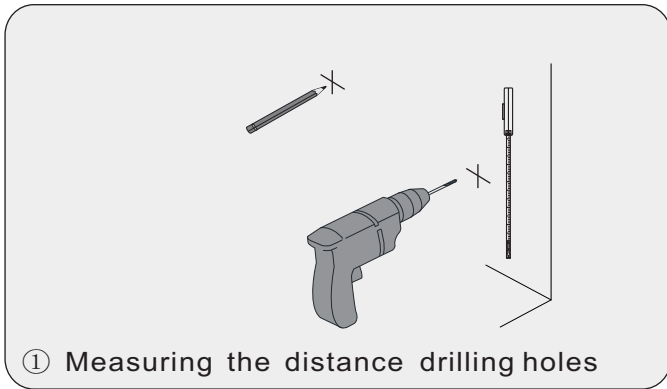
remove

adjust the height

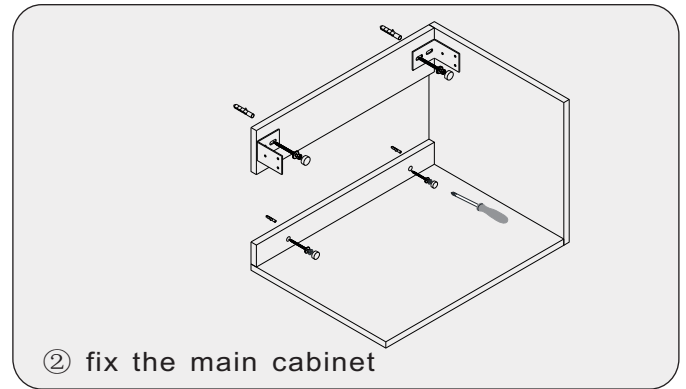
adjust the lateral

adjust the deep

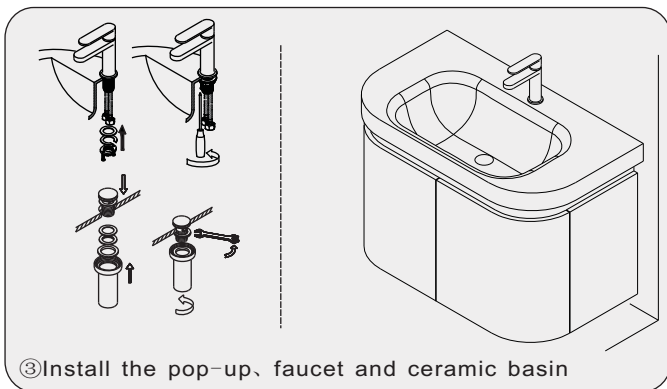
## INSTALLATION INSTRUCTIONS



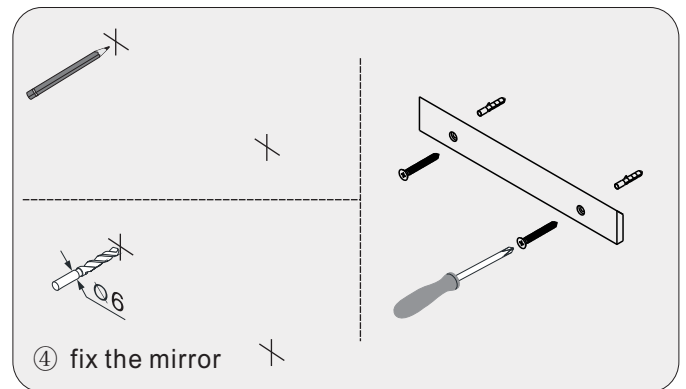
① Measuring the distance drilling holes



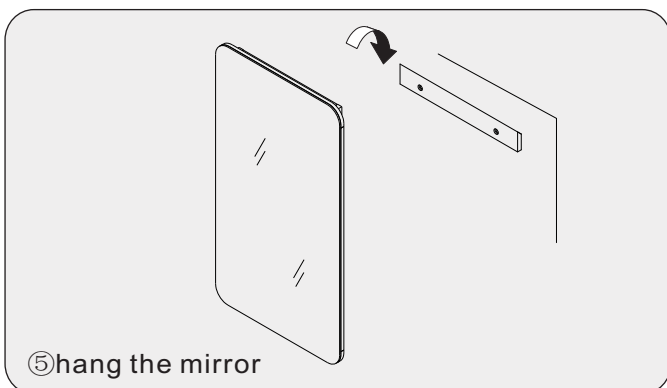
② fix the main cabinet



③ Install the pop-up, faucet and ceramic basin



④ fix the mirror



⑤ hang the mirror