



26790 Madison Ave.
Murrieta, CA 92562
888-304-0660

www.waterstoneco.com

ITEM NO:

4900

STYLE:

HAMPTON

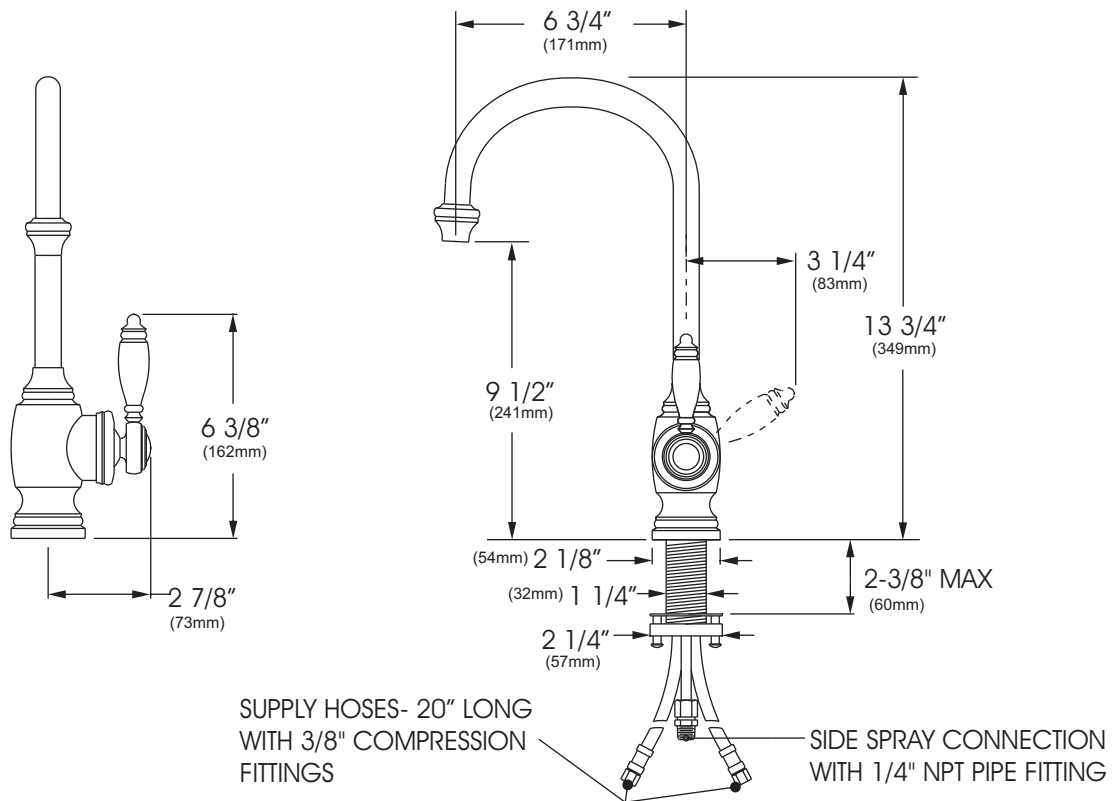
INTENDED USE:

PREP FAUCET

CUSTOMER NAME:

JOB NO:

DIMENSIONS MAY VARY AND ARE SUBJECT TO CHANGE. NO RESPONSIBILITY IS ASSUMED FOR USE OF SUPERCEDED OR VOIDED DATA.



RECOMMENDED HOLE SIZE 1-3/8"

Technical Specifications:

- Solid brass construction.
- Ceramic disk valve cartridge.
- 3 handle caps included. Plain, and ceramic right hand or left hand operation indicated for hot and cold.
- 2.2 gpm maximum flow rate.
- Lever handle.
- Diverter equipped for connection to optional side spray.
- Easy access side spray diverter
- Reinforced braided connection hoses.
- Adjustable Teflon® "Friction Assist" aids handle feel and prevents sag.

Codes/Standards Applicable

Specified model meets or exceeds the following:

- ASME A112.18.1
- CSA B125.1
- NSF 61

DATE: 1-11-08



Made in the U.S.A.