

CONTEMPORARY SINGLE PORT AIR GAP

Model # 3020



PRODUCT DESCRIPTION

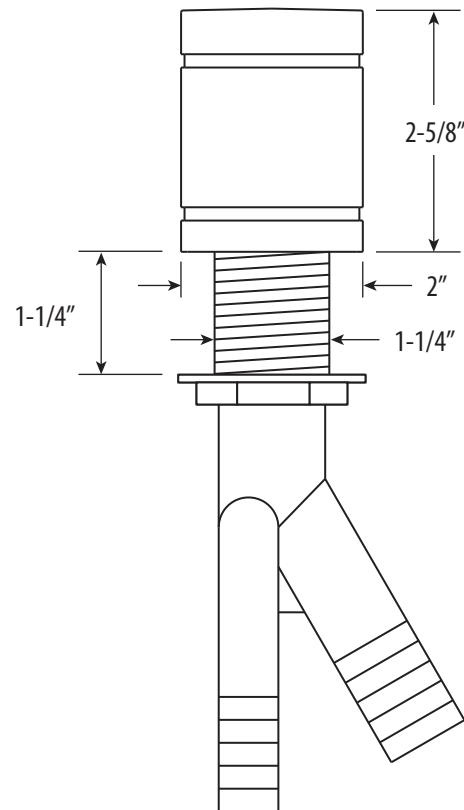
- Single port dishwasher airgap.
- Prevents dishwasher backflow and dirt buildup.
- Cover hides upper nut and washer edges.
- Solid brass or stainless steel construction.

CODES/STANDARDS APPLICABLE

Specified model meets or exceeds the following:

- UPC

- Max Counter Thickness 1-1/4"
- Install Hole Size Adaptable Up to 1-3/8"



DIMENSIONS MAY VARY AND ARE SUBJECT TO CHANGE. NO RESPONSIBILITY IS ASSUMED FOR USE OF SUPERCEDED OR VOIDED DATA

AVAILABLE IN 32 FINISHES + SOLID STAINLESS STEEL

| | | | | |
|-----------------------|--------------------------------|-----------------------------------|-----------------------|---------------------------------|
| Almond - 01 | Black Nickel - BLN | Distressed Antique Copper - DAC | Polished Gold - PG | Unlaquered Polished Brass - UPB |
| Antique Brass - AB | Black-Oil Rubbed Bronze - ORB | Distressed American Bronze - DAMB | Polished Nickel - PN | Venetian Bronze - VB |
| Antique Bronze - ABZ | Biscuit - 07 | Distressed Antique Pewter - DAP | Satin Chrome - SC | Weathered Brass - WB |
| Antique Copper - AC | Caribbean Bronze - CB | Euro-White - EW | Satin Gold - SG | Weathered Copper - WC |
| American Bronze - AMB | Chocolate Bronze - CHB | Matte Black - MB | Satin Nickel - SN | White - WT |
| Antique Pewter - AP | Chrome - CH | Polished Brass - PB | Stainless Steel - SS* | |
| Black - 06 | Distressed Antique Brass - DAB | Polished Copper - PC | Tuscan Brass - TB | |

**Contemporary Styles Only*