



26790 Madison Ave.
Murrieta, CA 92562
888-304-0660

www.waterstoneco.com

ITEM NO:

1850

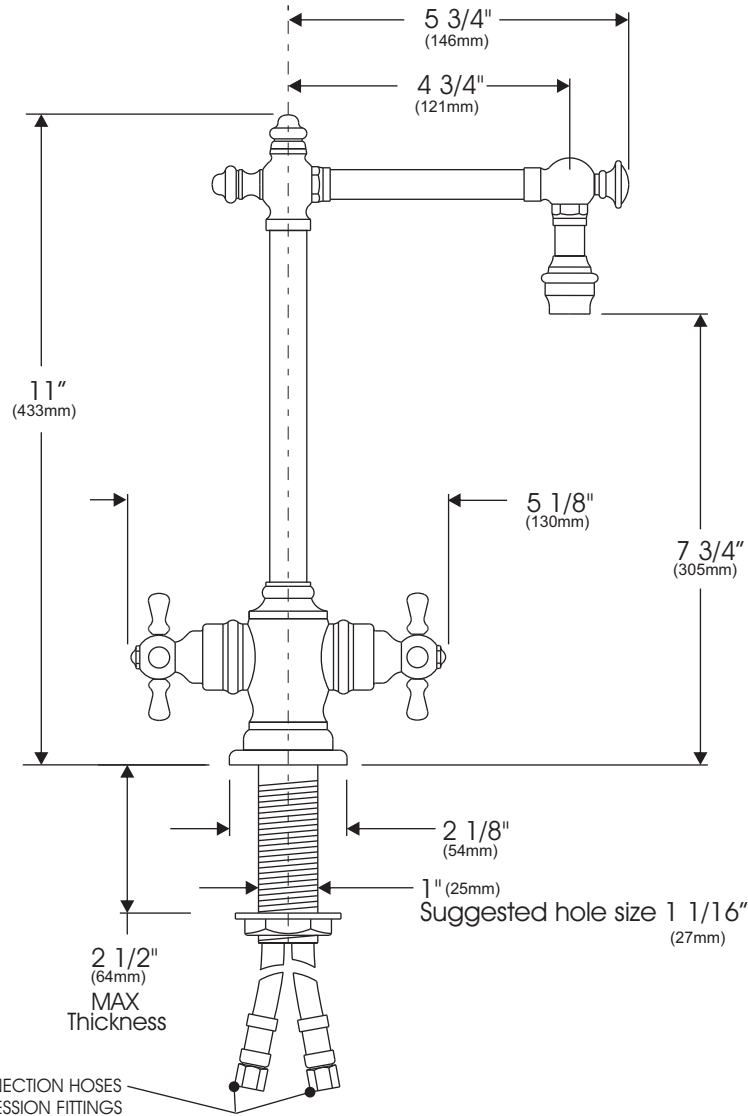
STYLE: TOWSON

INTENDED USE: BAR FAUCET

CUSTOMER NAME:

JOB NO:

DIMENSIONS MAY VARY AND ARE SUBJECT TO CHANGE. NO RESPONSIBILITY IS ASSUMED FOR USE OF SUPERCEDED OR VOIDED DATA.



Technical Specifications:

- Solid brass construction.
- 1/4 turn ceramic disk valve cartridges.
- Cross handles.
- 1.7 gpm maximum flow rate.
- 360 degree swivel spout.
- Reinforced braided connection hoses.

Codes/Standards Applicable

Specified model meets or exceeds the following:

- ASME A112.18.1
- CSA B125.1
- NSF 61

DATE: 1-11-08



Made in the U.S.A.