

THIS SPACE FOR DESIGNER/ ENGINEER APPROVAL

Job/Customer _____ Date _____ Contractor _____

Model Specified _____ Qty _____ Approved By _____

Designer/Engineer _____ Date _____ Contractor's PO# _____

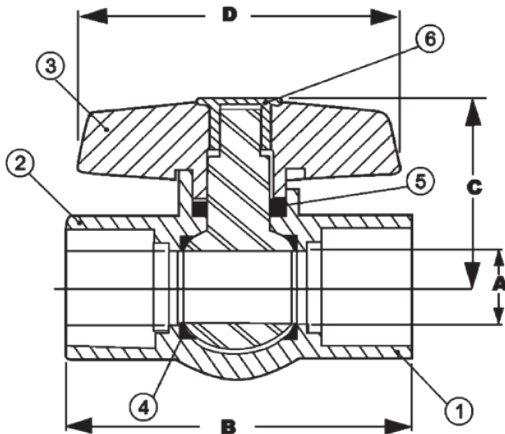
Submitted by _____ Date _____ Other _____

0372 Series FULL PORT CPVC BALL VALVES FITS CPVC PIPE (COPPER TUBING SIZE) MADE W/ NSF CERTIFIED POLYMER (1/2"-1") SOCKET ENDS ISO 9001:2000

ITEM #	SIZE	P/CARTON	P/CASE	A	B	C	D
03722	1/2"	1	100	1/2	2 11/16	1 3/8	2 3/8
03723	3/4"	1	100	3/4	3 5/16	1 7/8	2 3/4
03724	1"	1	100	1	3 3/4	2 1/16	3 1/2
03725	1 1/4"	1	100	1 1/4	4 3/16	2 1/2	4
03726	1 1/2"	1	48	1 1/2	4 1/2	2 1/2	4
03727	2"	1	26	2	5 5/8	2 7/8	4 5/16



NO.	DESCRIPTION	MATERIAL
1	BODY	CPVC (IVORY)
2	BALL/STEM	CPVC
3	TEE HANDLE	ABS (RED)
4	SEATS	TPE
5	O-RING	FKM
6	HANDLE CAP	ABS



MAX TEMP 194 °F - 230 PSI

Specifications: Designed for residential and commercial use with water. This approved Webstone Valve is actuated by a blowout proof stem. CPVC is for use with potable water.