

THIS SPACE FOR DESIGNER/ ENGINEER APPROVAL

Job/Customer _____ Date _____ Contractor _____

Model Specified _____ Qty _____ Approved By _____

Designer/Engineer _____ Date _____ Contractor's PO# _____

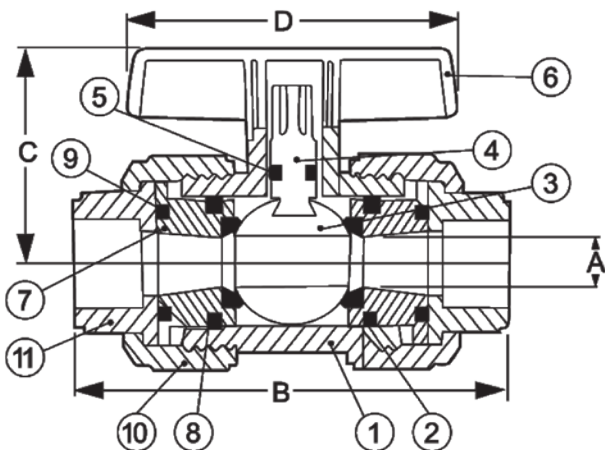
Submitted by _____ Date _____ Other _____

0460 Series FULL PORT PVC BALL VALVES FITS BOTH SCHEDULE 40 & 80 PIPE TRUE UNION (INCLUDES BOTH IPS & SOCKET ENDS - GRAY) ISO 9001:2000

ITEM #	SIZE	P/CARTON	P/CASE	A	B	C	D
04602	1/2"	1	72	1/2	3 7/8	2 1/8	3 1/2
04603	3/4"	1	60	3/4	4 7/16	2 5/16	3 1/8
04604	1"	1	24	1	4 7/8	2 7/8	3 3/8
04605	1 1/4"	1	12	1 1/4	5 5/8	2 7/8	3 7/8
04606	1 1/2"	1	12	1 1/2	6 1/4	3 7/16	4 7/16
04607	2"	1	12	2	7	4	5 3/16



NO.	DESCRIPTION	MATERIAL
1	BODY	PVC (GRAY)
2	BALL	PVC
3	CARRIER	PVC
4	END CONNECTOR	PVC
5	UNION NUT	PVC
6	SEAT	EPDM
7	TEE HANDLE	ABS (RED)
8	STEM	PVC
9	FACE O-RING	FKM
10	CARRIER O-RING	FKM
11	STEM O-RING	FKM



MAX TEMP 113 °F - 230 PSI

Specifications: Designed for residential and commercial use with water. This approved Webstone Valve is actuated by a blowout proof stem. This valve is shipped with both threaded and socket ends. The double union configuration allows for easy in-line replacement or repair. Fits both schedule 40 and schedule 80 pipe. Not for use with potable water. Threaded ends comply with ANSI B1.20.1

Webstone Company, Inc.
www.webstonevalves.com

Quality and Commitment Since 1954

Tel: (800) 225-9529 • Fax (800) 336-5133

Webstone product specifications in U.S. customary units are approximate and are provided for reference only. Webstone reserves the right to change or modify product design, construction, specifications or materials without prior notice and without incurring any obligation to make such changes and modifications on Webstone products previously or subsequently sold.

0460spec_060209