

# THIS SPACE FOR DESIGNER/ ENGINEER APPROVAL

Job/Customer \_\_\_\_\_ Date \_\_\_\_\_ Contractor \_\_\_\_\_

Model Specified \_\_\_\_\_ Qty \_\_\_\_\_ Approved By \_\_\_\_\_

Designer/Engineer \_\_\_\_\_ Date \_\_\_\_\_ Contractor's PO# \_\_\_\_\_

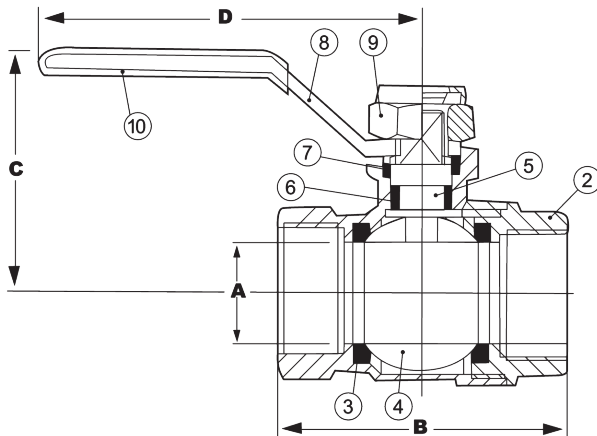
Submitted by \_\_\_\_\_ Date \_\_\_\_\_ Other \_\_\_\_\_

## 4169 Series FULL PORT FORGED BRASS MINI BALL VALVES PET COCK STYLE W/ RUBBER O-RING FIP x FIP 600 WOG / 125 WSP

| ITEM # | SIZE        | P/CARTON | P/CASE | A   | B     | C     | D     |
|--------|-------------|----------|--------|-----|-------|-------|-------|
| 41698  | 1/8" x 1/8" | 10       | 100    | 1/8 | 1 5/8 | 1 1/8 | 1 3/4 |
| 41699  | 1/4" x 1/4" | 10       | 100    | 1/4 | 1 5/8 | 1 1/8 | 1 3/4 |



| NO. | DESCRIPTION   | MATERIAL  |
|-----|---------------|-----------|
| 1   | BODY          | BRASS     |
| 2   | END CAP       | BRASS     |
| 3   | SEAT          | PTFE      |
| 4   | BALL          | BRASS HCP |
| 5   | STEM          | BRASS     |
| 6   | STEM SEAL     | FKM       |
| 7   | PACKING       | BRASS     |
| 8   | HANDLE        | STEEL CP  |
| 9   | HANDLE NUT    | STEEL CP  |
| 10  | HANDLE JACKET | VINYL     |



| TEMP °F | WOG |
|---------|-----|
| 100     | 600 |
| 150     | 490 |
| 200     | 470 |
| 250     | 439 |
| 300     | 411 |
| 350     | 294 |
| 366     | N/A |

Specifications: Designed for commercial and industrial use with water, oil, or gas. Ideal for use where space is restricted. This approved Webstone valve is actuated by a blowout proof stem. Threaded ends comply with ANSI B1.20.1

**Webstone** Company, Inc.  
www.webstonevalves.com

Quality and Commitment Since 1954

Tel: (800) 225-9529 • Fax (800) 336-5133

Webstone product specifications in U.S. customary units are approximate and are provided for reference only. Webstone reserves the right to change or modify product design, construction, specifications or materials without prior notice and without incurring any obligation to make such changes and modifications on Webstone products previously or subsequently sold.

4169spec\_101909