

# THIS SPACE FOR DESIGNER/ ENGINEER APPROVAL

Job/Customer \_\_\_\_\_ Date \_\_\_\_\_ Contractor \_\_\_\_\_

Model Specified \_\_\_\_\_ Qty \_\_\_\_\_ Approved By \_\_\_\_\_

Designer/Engineer \_\_\_\_\_ Date \_\_\_\_\_ Contractor's PO# \_\_\_\_\_

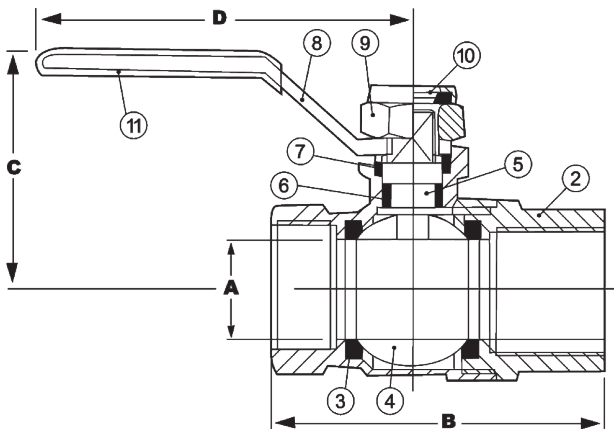
Submitted by \_\_\_\_\_ Date \_\_\_\_\_ Other \_\_\_\_\_

## 4168 Series FULL PORT FORGED BRASS MINI BALL VALVES PET COCK STYLE W/ RUBBER O-RING FIP x MIP 600 WOG / 125 WSP

ITEM #	SIZE	P/CARTON	P/CASE	A	B	C	D
41685	1/8" x 1/8"	10	100	1/8	1 13/16	1 1/8	1 3/4
41686	1/4" x 1/8"	10	100	1/8	1 13/16	1 1/8	1 3/4
41687	1/4" x 1/4"	10	100	1/4	1 15/16	1 1/8	1 3/4



NO.	DESCRIPTION	MATERIAL
1	BODY	BRASS
2	END CAP	BRASS
3	SEAT	PTFE
4	BALL	BRASS HCP
5	STEM	BRASS
6	STEM SEAL	FKM
7	PACKING	BRASS
8	HANDLE	STEEL CP
9	HANDLE NUT	STEEL CP
10	HANDLE JACKET	VINYL



TEMP °F	WOG
100	600
150	490
200	470
250	439
300	411
350	294
366	N/A

Specifications: Designed for commercial and industrial use with water, oil, or gas. Ideal for use where space is restricted. This approved Webstone valve is actuated by a blowout proof stem. Threaded ends comply with ANSI B1.20.1

**Webstone** Company, Inc.  
www.webstonevalves.com

Quality and Commitment Since 1954

Tel: (800) 225-9529 • Fax (800) 336-5133

Webstone product specifications in U.S. customary units are approximate and are provided for reference only. Webstone reserves the right to change or modify product design, construction, specifications or materials without prior notice and without incurring any obligation to make such changes and modifications on Webstone products previously or subsequently sold.

4168spec\_101909