

# THIS SPACE FOR DESIGNER/ ENGINEER APPROVAL

Job/Customer \_\_\_\_\_ Date \_\_\_\_\_ Contractor \_\_\_\_\_

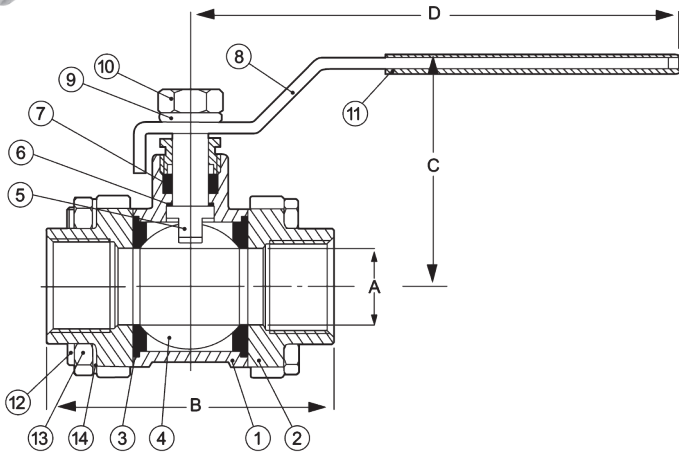
Model Specified \_\_\_\_\_ Qty \_\_\_\_\_ Approved By \_\_\_\_\_

Designer/Engineer \_\_\_\_\_ Date \_\_\_\_\_ Contractor's PO# \_\_\_\_\_

Submitted by \_\_\_\_\_ Date \_\_\_\_\_ Other \_\_\_\_\_

## 4370 Series FULL PORT 316 STAINLESS STEEL BALL VALVES 3 PIECE INVESTMENT CAST W/ 304 STAINLESS STEEL LOCKING HANDLE IPS - 1000 WOG / 150 WSP

ITEM #	SIZE	P/CARTON	P/CASE	A	B	C	D	Cv
43702	1/2"	1	40	1/2	2 3/8	1 15/16	4 1/2	14.3
43703	3/4"	2	24	3/4	2 15/16	2 1/4	4 1/16	34.0
43704	1"	2	24	1	3 5/8	2 1/2	5	56.4
43705	1 1/4"	2	12	1 1/4	4	2 3/4	6	114.1
43706	1 1/2"	2	8	1 1/2	4 3/4	3 7/16	6 1/2	161.3
43707	2"	2	8	2	5 1/16	3 15/16	7 3/4	248.6



NO.	DESCRIPTION	MATERIAL
1	BODY	STAINLESS STEEL 316
2	END CAP	STAINLESS STEEL 316
3	SEAT	PTFE + 15% G.F.
4	BALL	STAINLESS STEEL 316
5	STEM	STAINLESS STEEL 316
6	THRUST WASHER	PTFE + 15% G.F.
7	STEM SEAL	PTFE + 15% G.F.
8	LEVER HANDLE	STAINLESS STEEL 304
9	SPRING WASHER	STAINLESS STEEL 304
10	HANDLE NUT	STAINLESS STEEL 304
11	HANDLE JACKET	VINYL
12	BOLTS	STAINLESS STEEL 304
13	NUTS	STAINLESS STEEL 304
14	SPRING WASHERS	STAINLESS STEEL 304

TEMP °F	WOG
100	800
150	800
200	800
250	800
300	800
350	N/A
366	N/A

Specifications: Designed for commercial and industrial use with a broad range of fluid handling applications. This approved Webstone valve is actuated by a blowout proof stem and features an adjustable packing nut. The 3 piece design makes in-line repair as easy as 1-2-3. Threaded ends comply with ANSI B1.20.1

**Webstone** Company, Inc.  
www.webstonevalves.com

Quality and Commitment Since 1954

Tel: (800) 225-9529 • Fax (800) 336-5133

Webstone product specifications in U.S. customary units are approximate and are provided for reference only. Webstone reserves the right to change or modify product design, construction, specifications or materials without prior notice and without incurring any obligation to make such changes and modifications on Webstone products previously or subsequently sold.

4370spec\_101609