

THIS SPACE FOR DESIGNER/ ENGINEER APPROVAL

Job/Customer _____ Date _____ Contractor _____

Model Specified _____ Qty _____ Approved By _____

Designer/Engineer _____ Date _____ Contractor's PO# _____

Submitted by _____ Date _____ Other _____

5340 Series & 5340HV

**FULL PORT FORGED BRASS
UNI-FLANGE BALL VALVES**

**W/ REPLACEABLE INTEGRAL SPRING CHECK
& DETACHABLE ROTATING FLANGE**

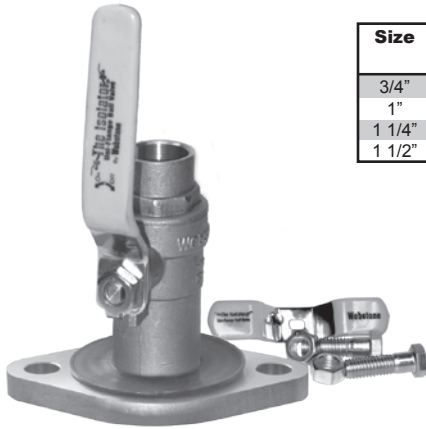
**BONUS WING STYLE "T" HANDLE, NUTS & BOLTS
SWT X FLANGE**

600 WOG - 150 PSI @ 200°F - ISO 9001:2000



**The Only Way To
Isolate Circulator Pumps**

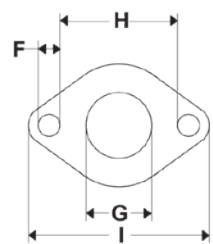
ITEM #	SIZE	P/CARTON	P/CASE	A	B	C	D	E	F	G	H	I
53403	3/4"	1	10	3/4	3 7/16	2 5/16	4	3/8	1/2	1	2 11/16	4 3/16
53404	1"	1	10	1	4 7/16	2 1/2	4 5/8	3/8	1/2	1 1/4	2 11/16	4 3/16
53405	1 1/4"	1	10	1 1/4	5 3/16	2 15/16	4 5/8	3/8	1/2	1 9/16	2 11/16	4 3/16
53406	1 1/2"	1	10	1 1/4	5 3/16	3 3/8	5 1/2	3/8	1/2	1 15/16	2 11/16	4 3/16
53403HV	3/4"	1	10	3/4	3 7/16	2 5/16	4	3/8	5/8	1	2 11/16	4 3/16
53404HV	1"	1	10	1	4 7/16	2 1/2	4 5/8	3/8	5/8	1 1/4	2 11/16	4 3/16
53405HV	1 1/4"	1	10	1 1/4	5 3/16	2 15/16	4 5/8	3/8	5/8	1 9/16	2 11/16	4 3/16
53406HV	1 1/2"	1	10	1 1/4	5 3/16	3 3/8	5 1/2	3/8	5/8	1 15/16	2 11/16	4 3/16



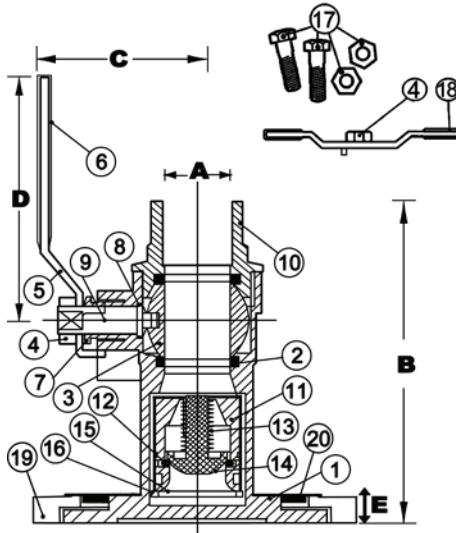
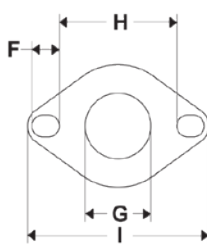
Size	Cv	Cracking Pressure (PSI)	Recommended Flow Range (gpm)
3/4"	15.6	0.22	9-30
1"	27.4	0.15	16-50
1 1/4"	42.4	0.16	23-80
1 1/2"	42.4	0.16	23-80

NO.	DESCRIPTION	MATERIAL
1	FLANGED BODY	BRASS
2	SEATS	PTFE
3	BALL	BRASS HCP
4	HANDLE NUT	BRASS
5	LEVER HANDLE	CP STEEL
6	HANDLE JACKET	VINYL
7	PACKING GLAND	BRASS
8	STEM SEAL	PTFE
9	STEM	BRASS
10	END CAP	BRASS
11	CHECK VALVE BODY	ABS
12	O-RING - INNER SEAL	NBR
13	SPRING - INNER SEAL	316 STAINLESS STEEL
14	POPPET	ABS
15	O-RING - OUTER SEAL	ABS
16	RETAINING RING	316 STAINLESS STEEL
17	FLANGE BOLTS AND NUTS	STEEL
18	WING STYLE "T" HANDLE	CP STEEL W/ VINYL GRIPS
19	ROTATING FLANGE	BRASS
20	FLANGE RING	ABS

FLANGE FOR REGULAR MODELS



FLANGE FOR HIGH VELOCITY PUMP MODELS



TEMP °F	WOG
100	150
150	150
200	150
250	N/A
300	N/A
350	N/A
366	N/A

Specifications: Designed for residential, commercial or industrial use with water oil or glycol. Most often used in a circulating closed loop hydronic plumbing system. The valve operates in a horizontal or vertical position. This approved Webstone Valve is actuated by a blowout proof stem and features an adjustable packing nut. Solder joint temperature ratings are per ASME B16.18 Annex A for 95-5 solder. Other solder materials have lower pressure/temperature limits. Do not silver braze or over heat valves when soldering.

Webstone Company, Inc.
www.webstonevalves.com

Quality and Commitment Since 1954

Tel: (800) 225-9529 • Fax (800) 336-5133

Webstone product specifications in U.S. customary units are approximate and are provided for reference only. Webstone reserves the right to change or modify product design, construction, specifications or materials without prior notice and without incurring any obligation to make such changes and modifications on Webstone products previously or subsequently sold.