

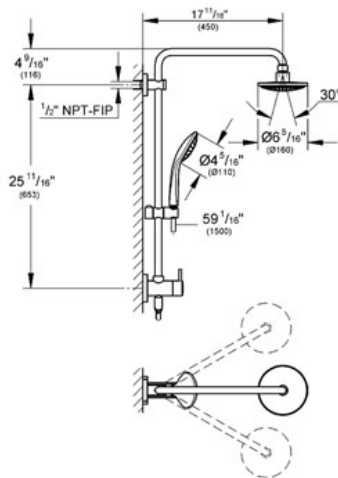
# RETRO-FIT 160 Shower System\*

MODEL # 27867

Pure Freude an Wasser

**GROHE**

GROHE America, Inc | 200 North Gary Avenue, Suite G, Roselle, IL 60172  
Phone: +1 (800) 444-7643 | Fax: +1 (800) 225-2778 | us-customerservice@grohe.com



## ADA

### Product Description: Shower System\*

#### Standard Specification:

- GROHE StarLight® finish
- GROHE DreamSpray® perfect spray pattern
- GROHE CoolTouch®
- SpeedClean anti-lime system

Consisting of:

- Wall mount
- Horizontal swivel 17 11/16" shower arm
- Built-in diverter allows change between: head shower Euphoria Cosmopolitan (28 233) with ball-joint, rotation angle +/- 20° and hand shower Euphoria (27 493)
- Adjustable in height with gliding element
- 59" metal shower hose (28 417 000)
- Rotation cone for Twistfree-function
- **Suitable for instantaneous heaters from 18 kW/h**
- Max Flow Rate 2.5 gpm (9.5 L/min)
- Angle adapter
- Max Flow Rate 2.5 gpm at 80 psi (9.5 L/min)

#### Applicable Codes & Standards:

- Energy Policy Act of 1992
- ASME A112.18.1/CSA B125.1
- ICC/ANSI A117.1

#### Color:

- 27867 000 chrome