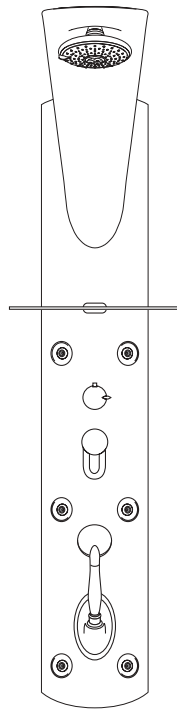


Installation Instructions

Shower Panel Prestige

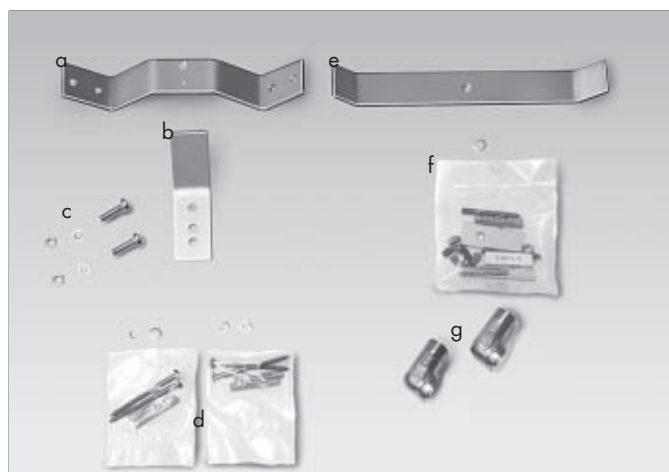
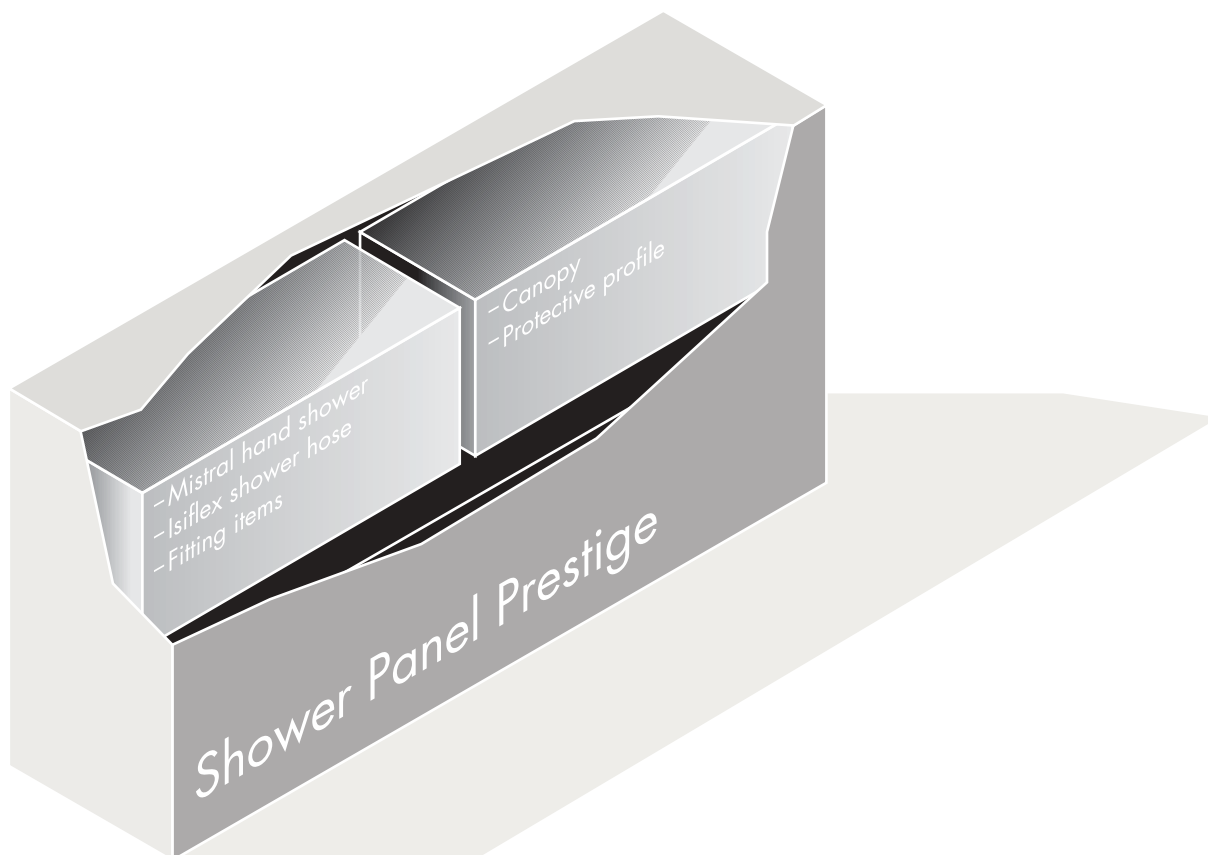


DP Prestige M20 26 10x xx1

PHÂRO[®]
hansgrohe

Contents

Packing List	3
Dimensions / Wall Installation Dimensions Diagram	4
Corner Installation Dimensions Diagram	5
Panel Dimensions	6
Fittings / Technical Data / Safety Instructions	7
Fitting Items / Water Connections Overview	8
Fitting the Canopy / Hand Shower Hose	9
Fitting the Protective Profile, Connecting the Water	10
Fastening the Panel	11
Fitting the Tray / Hand Shower	12
Thermostat Setting	13
Service Information	14
Spare Parts	15
Addresses	16



Fitting items

- a Fastening piece (corner installation)
- b Fastening bracket (wall installation + corner installation)
- c Screws with nuts and washers (fastening piece/
fastening bracket)
- d Screws (wall installation + corner installation)
- e Clamping bracket (wall installation)
- f Bottom fitting set with bottom clamping brackets
(corner installation)
- g Water connection elbow (wall installation + corner
installation)

Dimensions / Wall Installation Dimensions Diagram

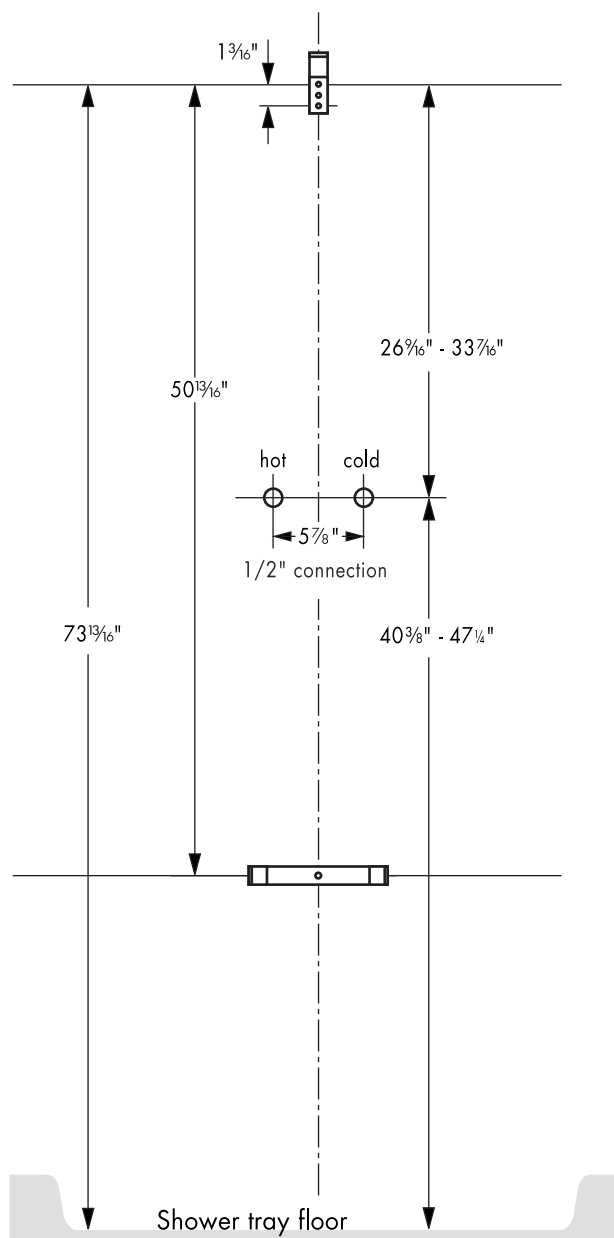


Dimensions

The installation dimensions stated in this installation instructions are ideal for people of approximately 70" in body height. The dimensions can be altered if required. In this case you will have to attend to the minimum height of 85½" from shower tray floor, and alter all the required measurements as necessary.

Wall installation dimensions diagram

Check for required minimum height of 85½" from shower tray floor before starting installation

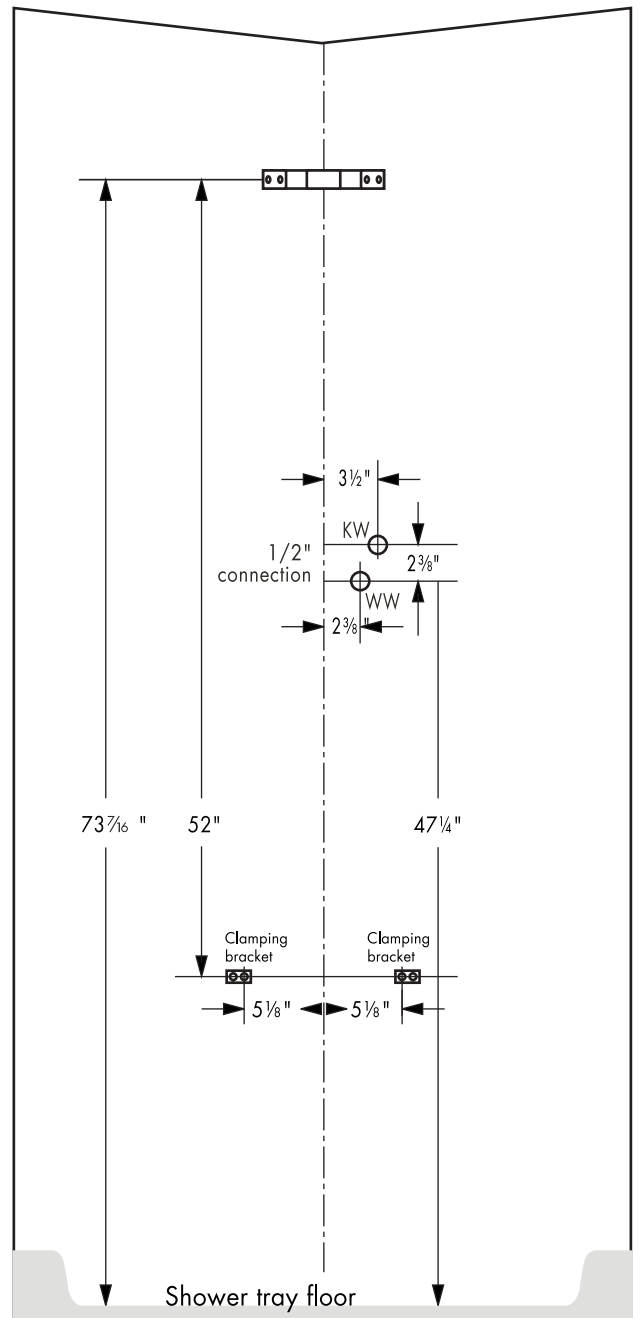
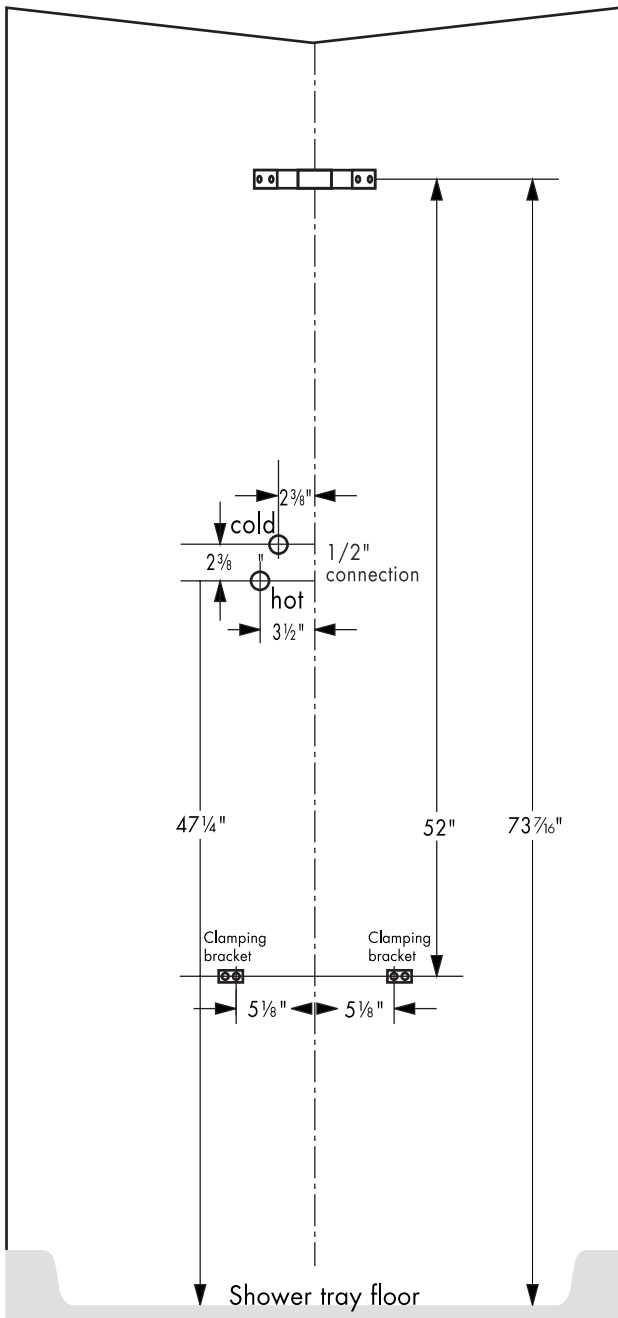


Corner Installation Dimensions Diagram

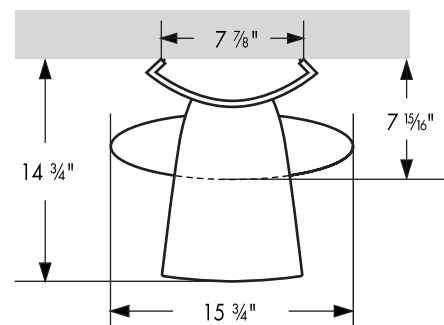
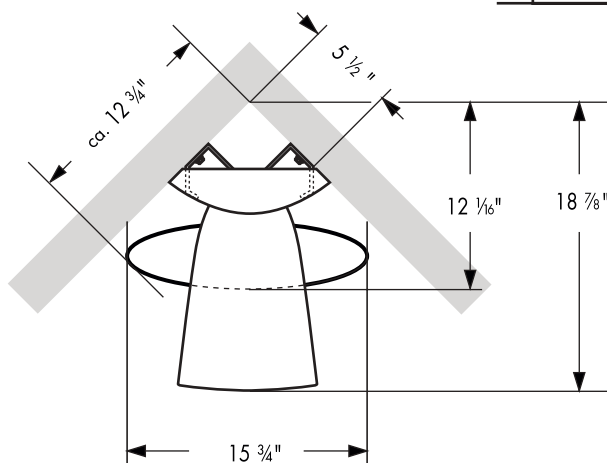
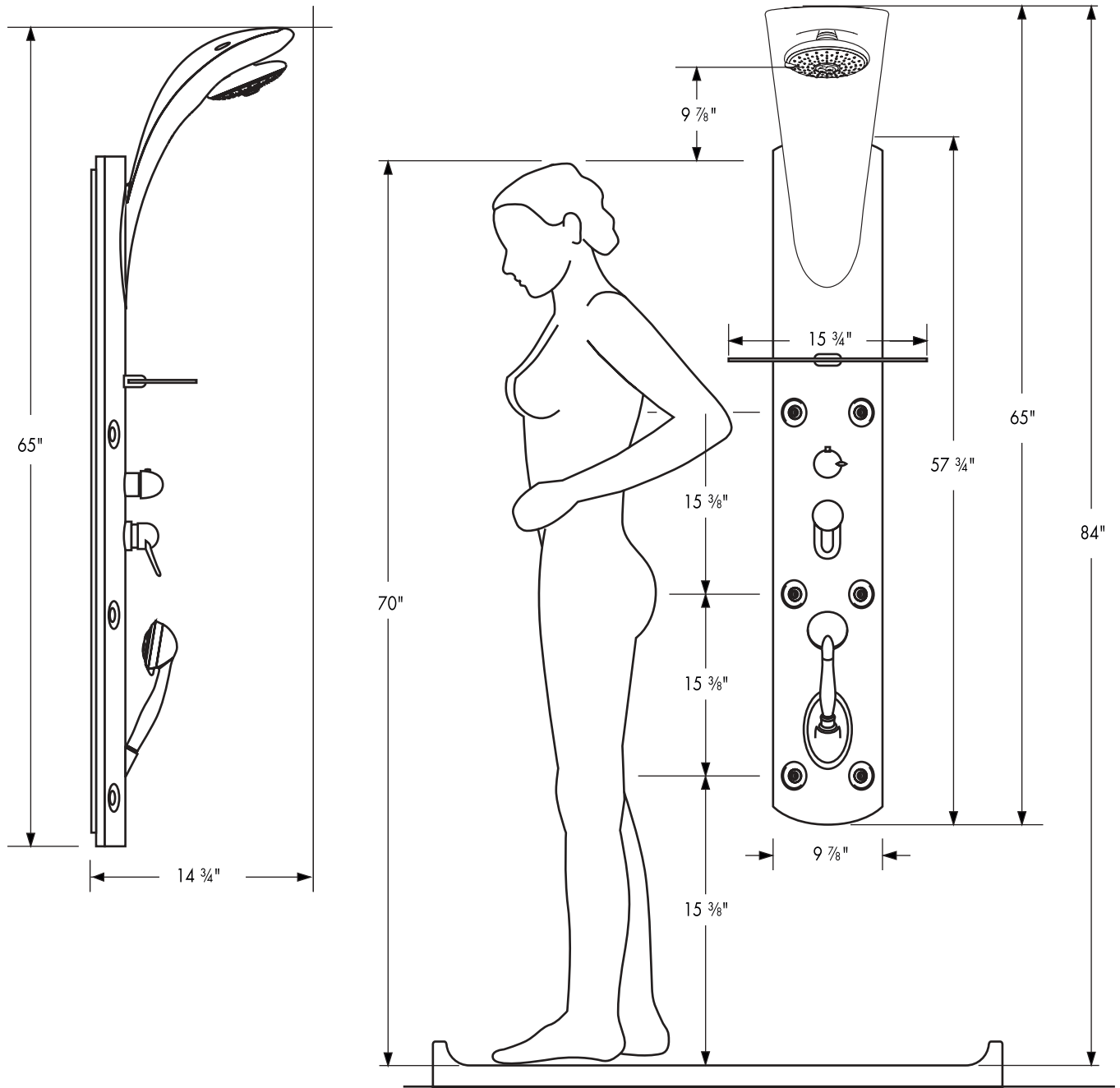
**Corner installation dimensions diagram
Connections on the left side**

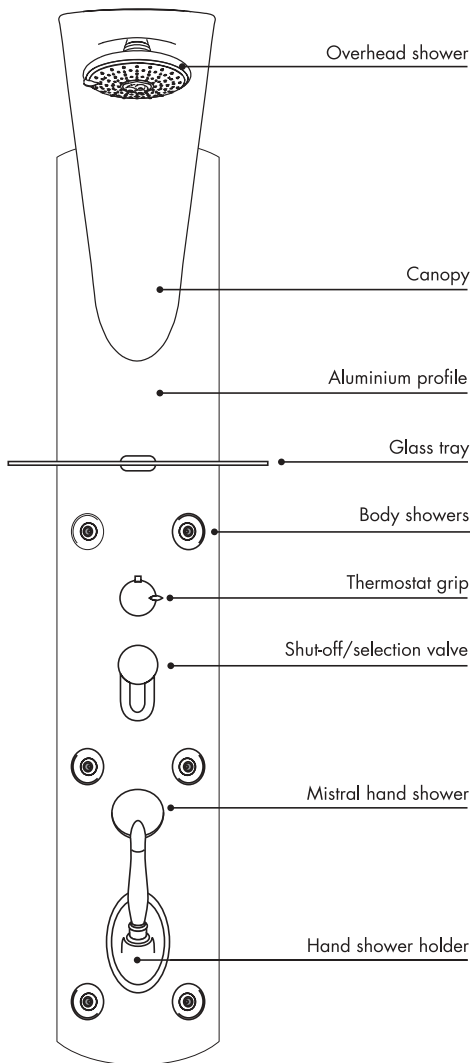
**Corner installation dimensions diagram
Connections on the right side**

Check for required minimum height of 85½" from shower tray floor before starting installation



Panel Dimensions





Flow heater:

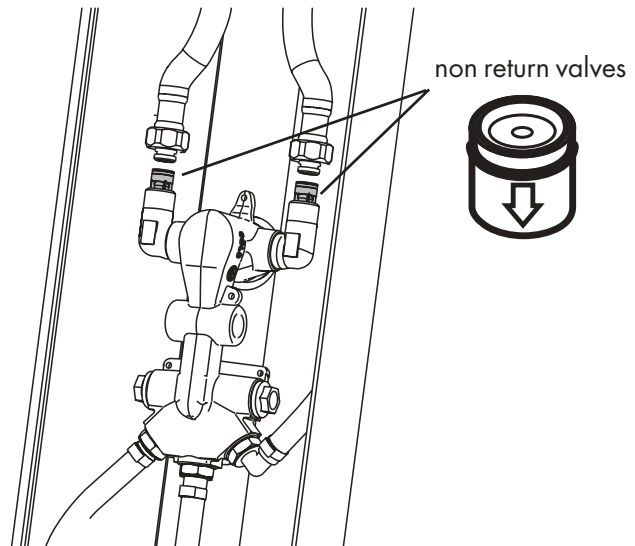
Applicable for flow heaters at min. 24 kW and 22 psi flow pressure before the Shower panel. Only one consumer possible, not two simultaneously.

Pressure differences:

The pressures of the cold and hot water connections must be balanced.

Maintenance

The non return valves must be checked regularly according with national or regional regulations (at least once a year)!



Technical Data

Minimum flow pressure	22 psi
Operating pressure	max. 147 psi *
Recommended operating pressure	29,4 - 73,5 psi
Test pressure	235,2 psi
Hot water temperature	max. 158 °F *
Temperature scale	68 – 140°F
Safety stop	100°F

Flow capacity at 3 bar

Hand shower	4 gpm
Body showers, 6 jets	4,8 gpm
Overhead shower	3,7 gpm
Overhead shower + Body showers	4,8 gpm
Hand shower + Overhead shower	4,5 gpm

*** Check applicable codes**

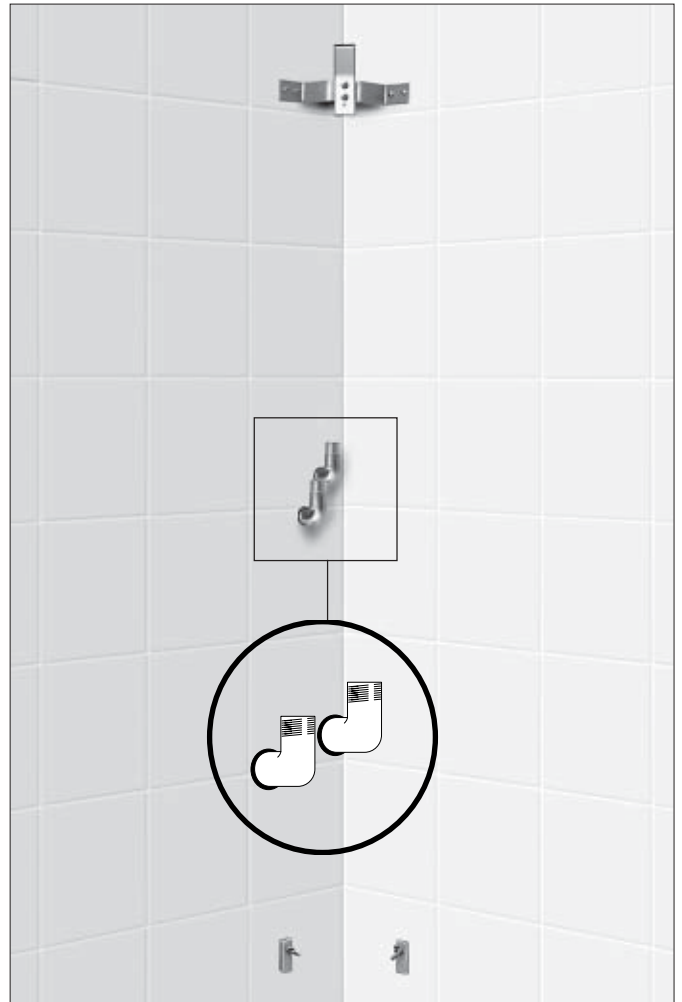
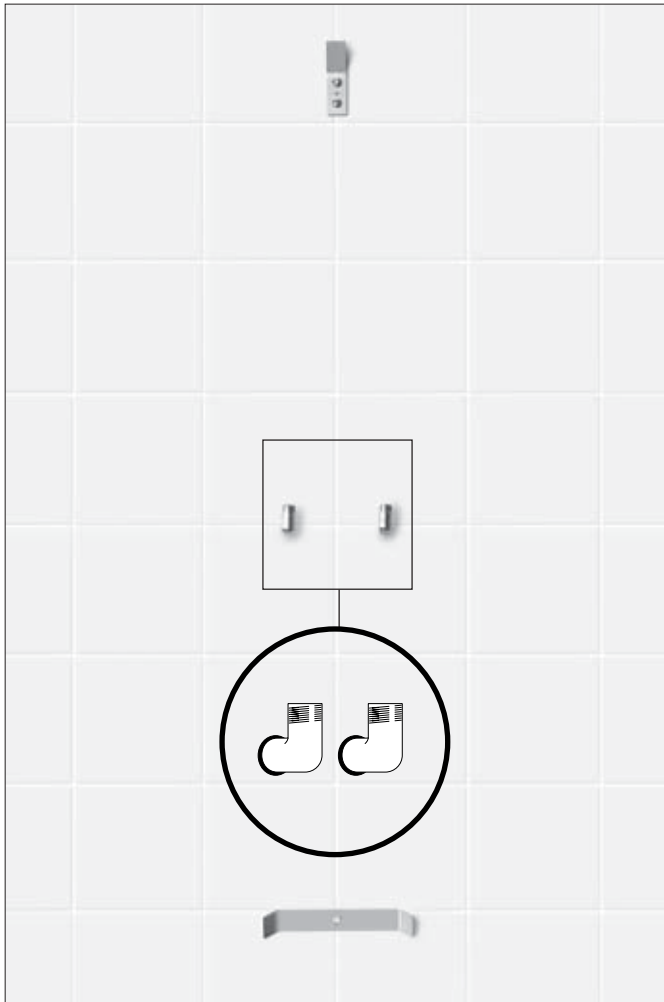
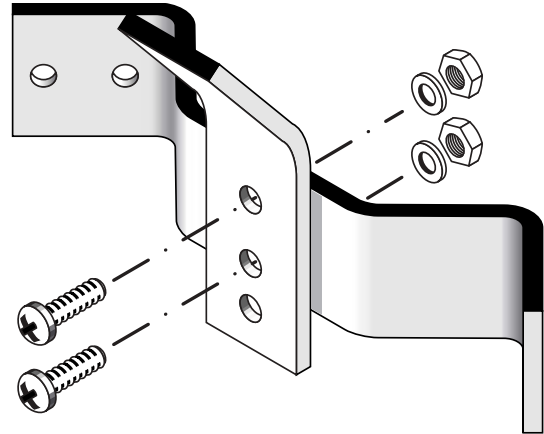
The flow rates are limited to 2.5 gpm. These are the maximum flow rates permitted by the Energy Policy Act of 1992.

Fitting Items/Water Connections Overview

Fitting items/water connections
Wall installation

Fitting items/water connections
Corner installation

Seal all drill holes with silicone free from acetic acid (not in scope of delivery)



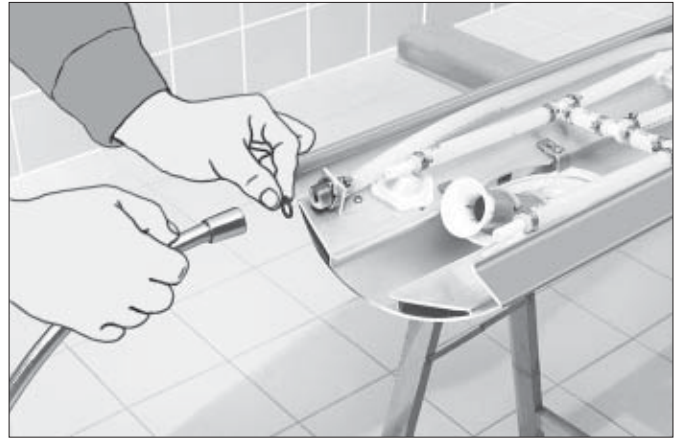
Fitting the Canopy/Hand Shower Hose

Fit canopy

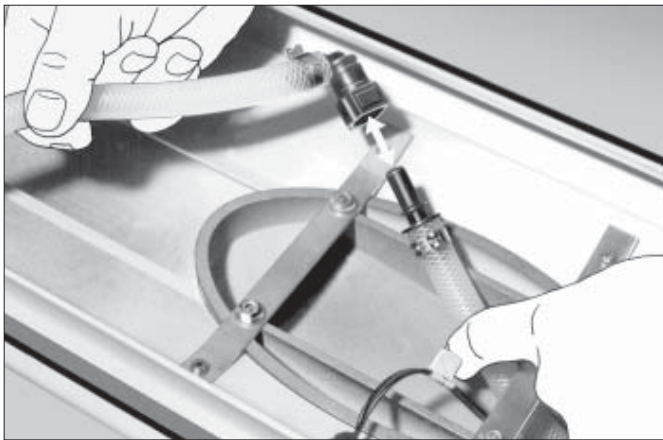


1 Fasten canopy with 4 fastening screws.

Fit hand shower hose



1 Join hand shower hose to panel.



2 Join overhead shower hoses.



2 Push hose end through, screw tight.

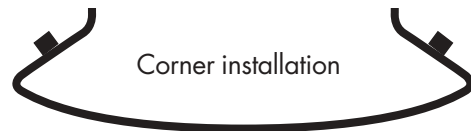
Fitting the Protective Profile, Connecting the Water



Wall installation: Press protective profile in.



Corner installation: Press seal in.



2 Hang panel on, connect water, open wall connection angle and test for soundness (The fitting must be installed, flushed and tested after the valid norms!).

Wall installation



1 Pull shower panel slightly forwards at the bottom, swivel clamping bracket into position.



2 Grip behind the panel, swivel fastening piece into horizontal position.

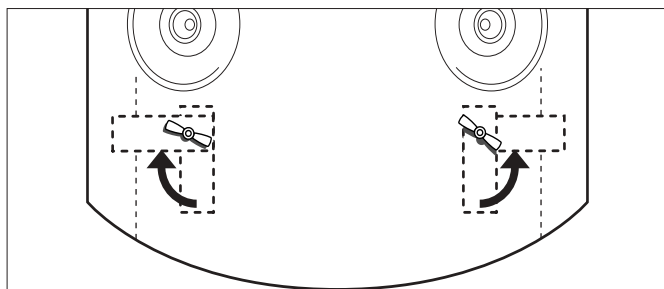


3 Tighten fastening piece nut.

Corner installation



1 Use wing nut to adjust distance between clamping bracket and wall to approx. 3/8".



2 Swivel clamping bracket 90°, tighten wing nut.

Fitting the Tray/Hand Shower



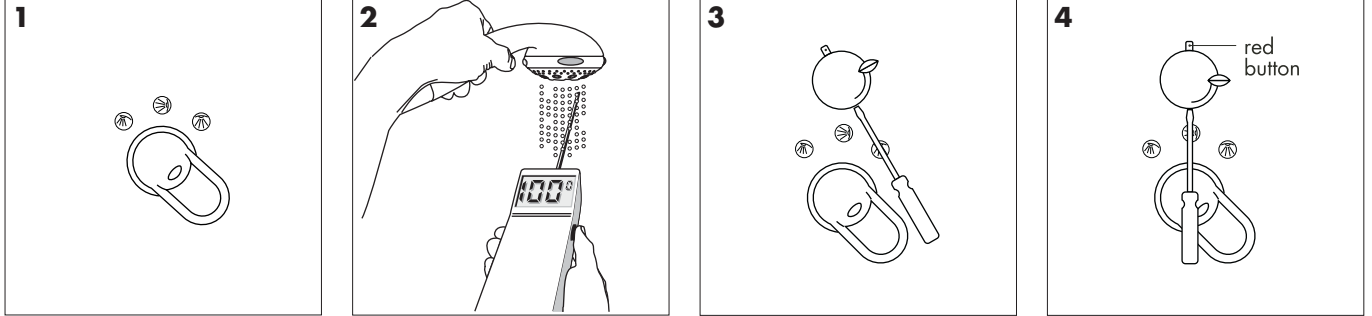
1 Wall installation + corner installation: Fit glass tray.



2 Wall installation + corner installation:
Connect Mistral hand shower (with sealing ring).

Thermostat Setting/Maintenance/Shower Functions Setting

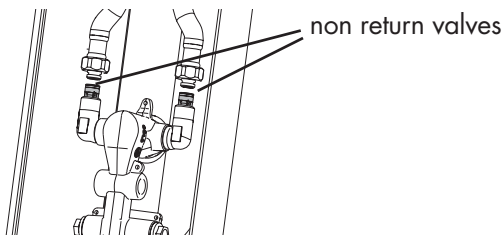
Thermostat Setting



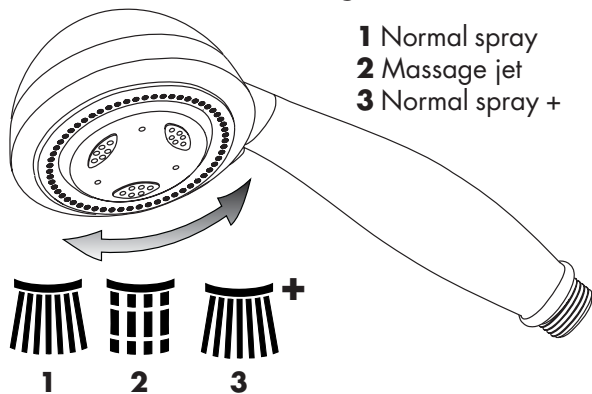
- 1 Set Quattrostat to "Hand shower".
- 2 Open Quattrostat, adjust thermostat to 100°F.
- 3 Loosen the screw and remove thermostat handle.
- 4 Push thermostat grip on and align vertically (**red button** points upwards), screw tight

Maintenance

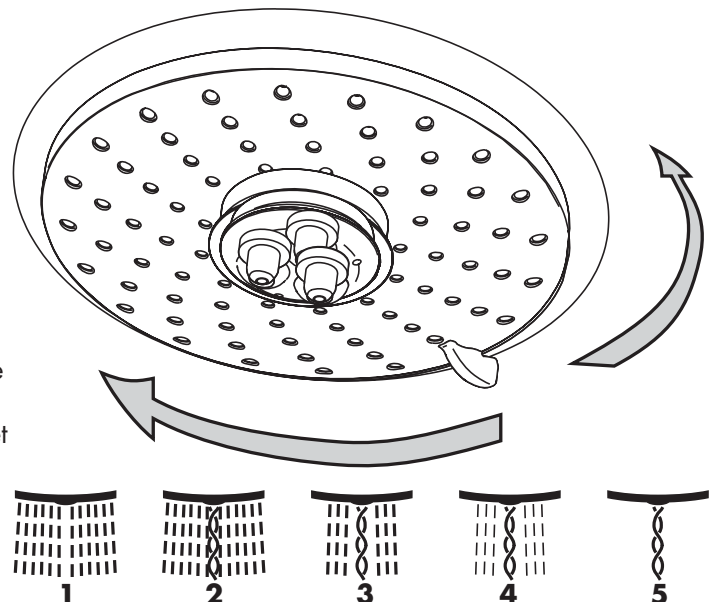
The non return valves must be checked regularly according with national or regional regulations (at least once a year)!



Shower Functions Setting

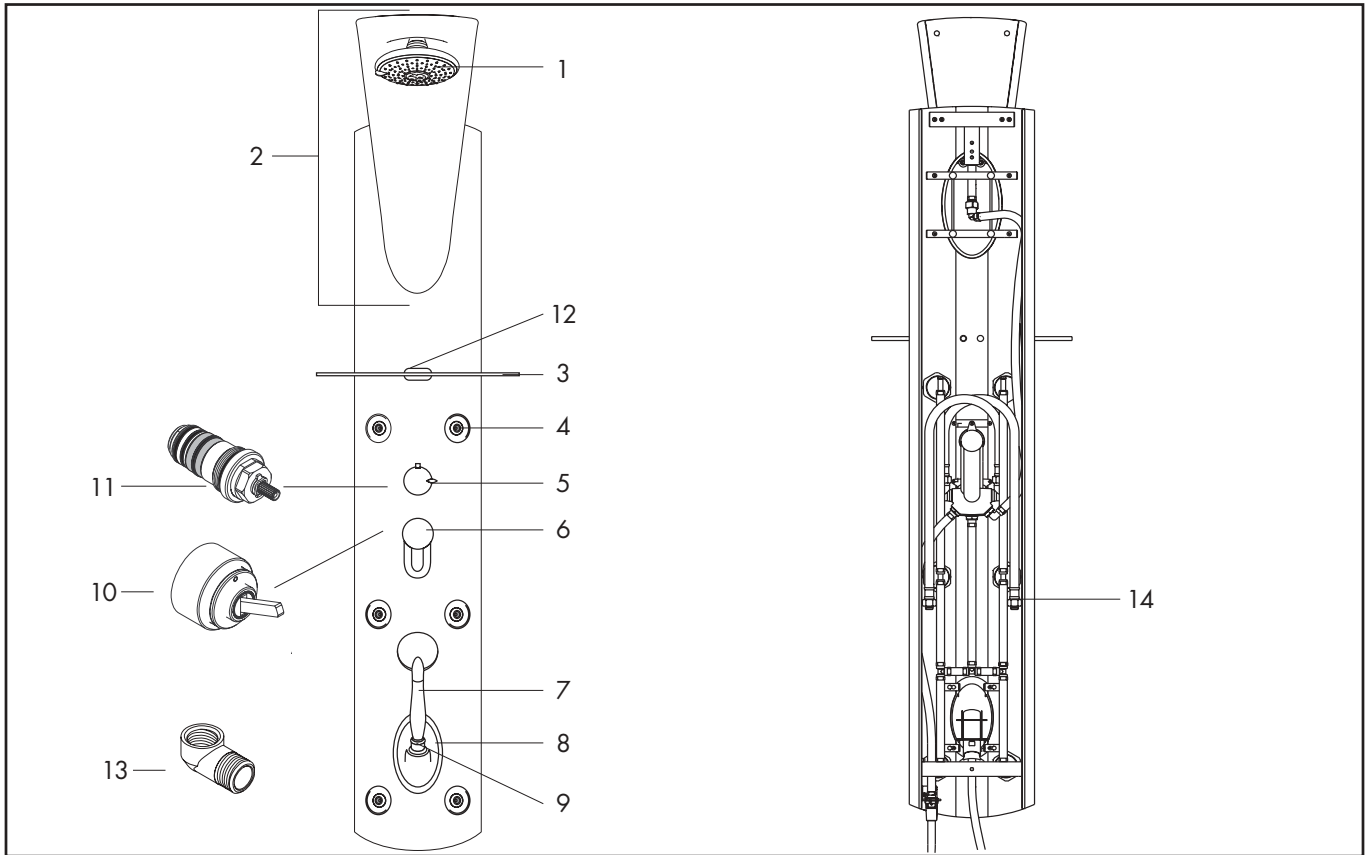


- 1 Normal spray
- 2 Massage jet
- 3 Normal spray +



- 1 Rain jet
- 2 Mix 1
- 3 Balance
- 4 Mix 2
- 5 Whirl jet

Spare Parts



Pos.	Description	No.	VE
1	head shower	97278XX1	1
2	canopy cpl.	25945XX1	1
3	shelf	25942000	1
4	body shower	25944001	1
5	handle for thermostat	36391XX1	1
	sleeve	95032XX0	1
6	handle	25936XX0	1
	flange	94130XX0	1
7	handshower	28590XX1	1
8	shower holder, assy	25943XX0	1
9	hose	25941XX0	1
10	cartridge on/off control	25937000	1
11	thermostat cartridge	94282000	1
	sealing set	95037000	1
12	support element	25961XXX	1
13	hose connection angel	25967001	2
14	connetion hose 31½"	25966000	1
	mounting kit DP M20	25949001	1

XX = Colors

- 00 chrome plated
- 09 chrome plated/gold plated
- 32 white (alpin)
- 41 pergamon
- 81 satinox
- 88 satin chrome

Cleaning Recommendation for Hansgrohe Products

Modern sanitary tapware, kitchen mixers and showers consist of very different materials to comply with the needs of the market with regard to design and functionality.

To avoid damage and reclamations, it is necessary to consider certain criteria when cleaning.

Cleaning Materials for Mixers and Showers

Acids are necessary ingredients of cleaning materials for removing lime, however please pay attention to the following points when cleaning mixers and showers:

- Only use cleaning material which is explicitly provided for this type of application, such as Hansgrohe's Decalcifying Agent **(A)**, which is available through the specialist sanitary trade.
- Never use cleaning materials, which contain hydrochloric, formic or acetic acid, as they cause considerable damage.
- Phosphoric acid is also restricted as it can cause damage.
- Never mix any cleaning material with another.
- Never use cleaning materials or appliances with an abrasive effect, such as unsuitable cleaning powders, sponge pads or micro fibre cloths.

Cleaning Instructions for Mixers and Showers

Please follow the cleaning material manufacturer's instructions. In addition pay attention to the following points:

- Clean the mixers and showers as and when required
- The cleaning dosage and time the cleaner needs to take effect should be adjusted according to the product and the cleaner should not be left longer than necessary.
- Regular cleaning can prevent calcification.
- When using spray cleaner, spray first into a cloth or sponge never directly onto the sanitary tapware, as drops could enter openings and gaps and cause damage.
- After cleaning rinse thoroughly with clean water to remove any cleaner residue.

Important

Residues of liquid soaps, shampoos and shower foams can also cause damage, so rinse with clean water after using.

If the surface is already damaged, the effect of cleaning materials will cause further damage.

Damage caused by improper treatment will not be covered by our guarantee.

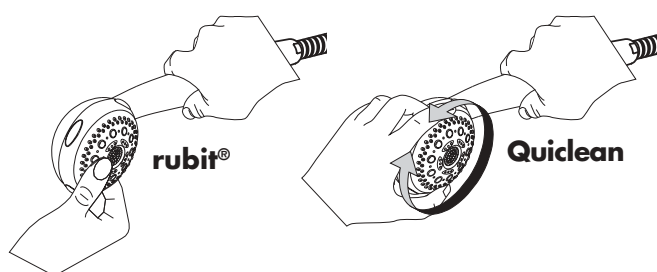
Lifetime Limited Consumer Warranty

Hansgrohe products are manufactured and tested to the highest quality standards. Hansgrohe, Inc. warrants to the original consumer that its products will be free from defects of workmanship and materials for as long as the original consumer owns the home in which the products are installed.

Accessories or parts of products manufactured by others are warranted only for the period and to the extent of the original manufacturer's warranty. This warranty applies only to products purchased for consumer use. Products purchased for commercial, industrial or business use are covered under a separate five-year warranty. This warranty does not cover installation or any other labor charges associated with the repair or reinstallation of Hansgrohe products. This express warranty does not apply to products that have been damaged due to misuse, abuse, negligence, accident, faulty installation, use of abrasive or caustic cleaners, poor maintenance practices or use in any manner contrary to the written instructions provided. Hansgrohe, Inc. will repair or replace, at its option, free of charge during the warranty period, any part which proves to be defective in material and/or workmanship under normal installation, use, service and maintenance.

If Hansgrohe, Inc. is unable to provide a replacement and repair is not practical or cannot be made in a timely manner, Hansgrohe, Inc. will refund the purchase price in exchange for return of the product. THIS REMEDY IS THE SOLE AND EXCLUSIVE REMEDY TO THE PURCHASER FOR THE BREACH OF ANY WARRANTIES OR NEGLIGENCE BY HANSGROHE, INC. For assistance, simply notify your Hansgrohe dealer or write to: Customer Service, Hansgrohe, Inc., 1490 Bluegrass Lakes Pkwy Alpharetta, GA 30004. Include the original receipt with a description of problem, model number and your name and address. Hansgrohe may at its option, require you to send the defective part of the product prepaid for inspection prior to replacement.

This warranty is limited to the above; and this warranty and any warranties implied by state law, including the implied warranty of merchantability apply only to products purchased after March 1, 1996. This warranty gives you specific legal rights; you may also have other rights which vary from state to state. Unless otherwise contrary to state law governing the purchase, Hansgrohe, Inc. liability will not exceed the contract price for the product claimed to be defective or unsuitable and is applicable only to products purchased through Hansgrohe, Inc. and installed in the United States or Canada.

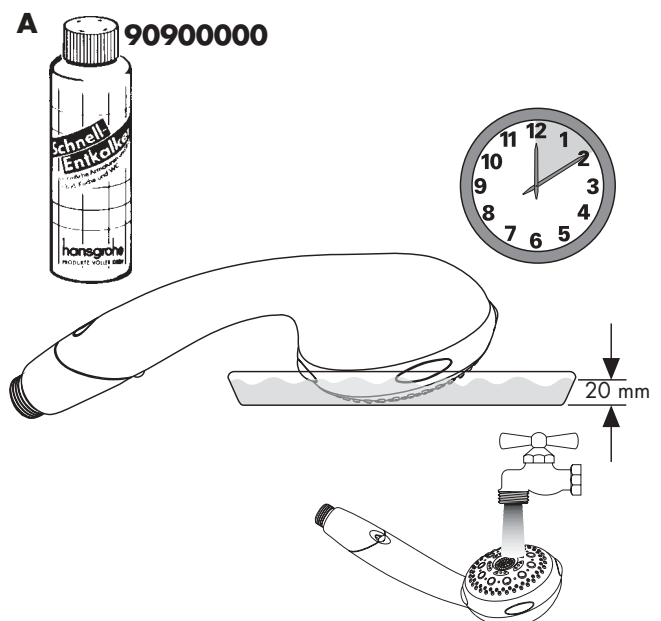


Cleaning the hand and head shower

With "Rubit®", the manual cleaning function, lime can be removed from the spray former by simple rubbing.

Cleaning the hand-shower

Hand shower with "Quiclean", the cleaning function against lime. When changing the jet types, small cleaning pins remove calcification.



Addresses

Would you like to know more about Pharo products? We would be delighted to help:

<p>A Hansgrohe Postfach 85 2355 Wr. Neudorf Telefon: 0 22 36 / 6 28 30 Telefax: 0 22 36 / 62 83 019</p>	<p>B L Hansgrohe Rue Vanderschrick Straat 91 1060 Bruxelles/Brussel Téléphone: 02 / 5 43 01 40 Telefax: 02 / 5 37 94 86</p>	<p>CH Hansgrohe Industriestr. 9 5432 Neuenhof Telefon: 056/416 26 26 Telefax: 056/416 26 27</p>	<p>CZ SK Hansgrohe Moravanská 85 CZ-619 00 Brno Telefon: +420/547 212 334 Telefax: +420/547 212 521</p>
<p>D Hansgrohe D-77757 Schiltach / Schwarzwald Telefon: 0 78 36 / 51-0 Telefax: 0 78 36 / 51 13 00</p>	<p>DK N Hansgrohe Jegstrupvej 6 8361 Hasselager Telefon: 86 28 74 00 Telefax: 86 28 74 01</p>	<p>E Hansgrohe Riera Can Pahissa 26 B 08750 Molins de Rei Telefon: 93 680 39 00 Telefax: 93 680 39 09</p>	<p>EE OÜ Dreesis Laki 16-407 10621 Tallinn Estonia Tel.: 00372 61 29 811 Fax: 00372 65 63 310</p>
<p>F Hansgrohe 6/8 rue Henri-Poincaré Z. A. 92167 Antony Cedex Téléphone: 01 40 96 40 00 Télécopie: 01 46 66 49 89</p>	<p>FIN Hansgrohe Juhani Niemi Oy Mäntytie 11 00270 Helsinki Puh: (09) 47 77 030 Telefax: (09) 24 17 554</p>	<p>GR Nikitas Vlachos Niveco SA Posidonos Ave 46 17561 P. Faliro Telefon: (01) 9880180 Telefax: (01) 9883847</p>	<p>H Hansgrohe Kft. Forgách utca 11-13 1139 Budapest Telefon: 0036 /1 236 9090 Telefax: 0036 /1 236 9098</p>
<p>HR BiH YU Hansgrohe Omega Nova-Sibenik D.O.O. K.Zvonimira BB 22000 Sibenik Telefon: 00 385/(0)22/310 450 Telefax: 00 385/(0)22/330 221</p>	<p>I Pharo Italia Glass Idromassaggio s.r.l Via Baite 12/E 31046 Oderzo (TV) Telefono: +39-0422-7146 Telefax: +39-0422-816839</p>	<p>LT Santoza Paš ilaičiu 1-28 LT-2022 Vilnius Tel.: +37(0) 5 2407666 Fax: +37(0) 5 2407666</p>	<p>NL Hansgrohe Pieter Goedkoopweg 44 2031 EL Haarlem Telefoon: 0 23 - 5319114 Telefax: 0 23 - 5320710</p>
<p>P José Ricardo Botas SA R. Antoine de Saint-Exupéry Alapraia 2765-043 Estoril Telefon: 21 466 71 10 Telefax: 21 466 71 19</p>	<p>PL Hansgrohe Ul. Sowia 12 PL-62-080 Tarnowo Podgórze Telefon: (061) 8168600 Telefax: (061) 8168609</p>	<p>PRC 上海市松江工业区俞塘路512号 天威工业城底层 邮编: 201600 电话: 0086-21-57741239 传真: 0086-21-57741233</p>	<p>RO Representative Office Apsa Sasori Bd.O.Goga nr.4(106),bl M26,sc.3,ap.68 7000 Bucuresti Romania Tel./Fax: (0040) 0 21 326 10 01</p>
<p>RUS Hansgrohe Усачева 33/1 119048 Россия Москва Tel.: 095 / 9333170 Fax: 095 / 9333171</p>	<p>S Hansgrohe Almviksvägen 41 23044 Bunkelöstrand Telefon: +46/(0)40/51 91 50 Telefon: +46/(0)40/13 05 92</p>	<p>SGP Hans Grohe Pte Ltd 60B Martin Road #11-03/04 Trade Mart Singapore SINGAPORE 239067 Tel.: 0065-7322002 Fax: 0065-7320030</p>	<p>SI Representative Office Hansgrohe Riharjeva 2 1000 Ljubljana Slovenia Tel.:00386 1 429 23 32 Fax:00386 1 429 23 33</p>
<p>TR Dizayn Ev Gerecleri San. ve Tic. Ltd. Sti. Ortaklar Cad. No. 1 Mecidiyekoy-Istanbul 80290 Tel.: 0090-212-266 50 80 Fax: 0090-212-275 75 12</p>	<p>UA Hansgrohe Ukrainian office Vasilkovskaya St., 1, office 301 03040 Kiev Ukraine Tel./Fax: 0038 (044) 56 85 012</p>	<p>UK Hansgrohe Units D1 & D2 Sandown Park Trading Estate Royal Mills Esher Surrey KT10 8BL Telephone: 0 13 72 46 56 55 Telefax: 0 13 72 47 06 70</p>	<p>USA Hansgrohe 1490 Bluegrass Lakes Parkway Alpharetta, GA 30004/USA Tel.: 770-360-9880 Fax: 770-360-9887</p>

hansgrohe

AXOR | PHARO

Hansgrohe · Postfach 1145 · D-77761 Schiltach · Telefon +49 (0) 78 36/51-1282 · Telefax +49 (0) 7836/511440
E-Mail: info@hansgrohe.com · Internet: www.hansgrohe.com