

Product Features

- Attractive waterfall spray
- Infrared sensor technology
- Built-in stop for cleaning
- Pre-set temperature
- 110 V
- 1.3 gpm
- Automatic shutoff after 1 minute
- Flexible supply hoses with 3/8" adapters

Code Compliance

This unit meets or exceeds the following:

- ADA compliant

Available Finishes

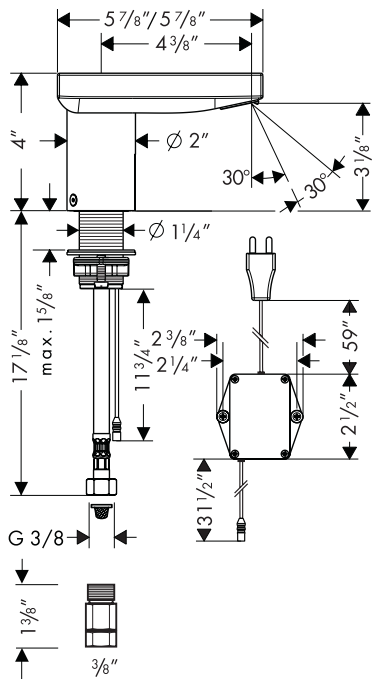
Chrome

10185001

Optional Accessories

Grid drain

06400000



The measurements shown are for reference only.

Products and specifications shown are subject to change without notice.

Specification sheet revised 1/2008