

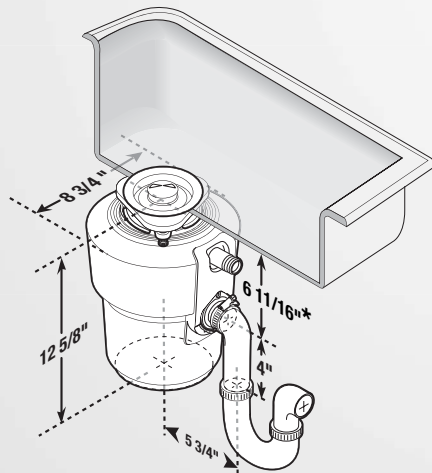
in **sink** erator®

Evolution Series™

Grind More. Hear Less.™

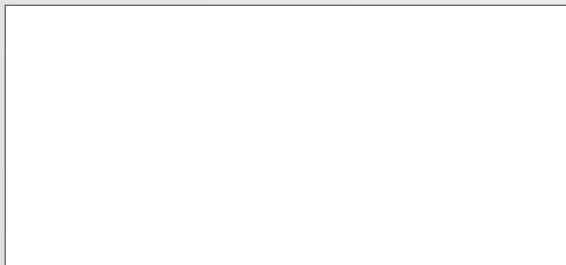


Dimensions



* Add 1/2" when stainless steel sinks are used.

Job Specifications



Food Waste Disposers

Evolution Essential™

The ideal choice for a wide range of applications.

Submittal Sheet

The ideal choice for a wide range of applications.

- **SoundSeal™** technology reduces disposer noise by at least 40% vs. standard disposers.
- **MultiGrind™** technology delivers 2 stages of grind vs. 1 stage in standard disposer.
- Includes Quiet Collar™ sound reducing sink baffle.

Specifications

Type of Feed	Continuous
On/Off Control	Wall Switch
Motor	Single Phase
HP	3/4
Volts	120
HZ	60
RPM	1725
Amp. (Avg. Load)	8.1
Time Rating	Intermittent
Lubrication	Permanently Lubricated Upper & Lower Bearings
Shipping Weight (Approx.)	20.8 lbs.
Unit Finish	Black Enamel Gray TEN-1706
Overall Height	12-5/8"
SoundSeal Technology	Anti-Vibration Mount™ Anti-Vibration Tailpipe Mount™ Quiet Collar™ Sink Baffle SoundLimiter™ Insulation
MultiGrind Technology	GrindShear Ring™
Grind Chamber Capacity	40 oz.
Motor Protection	Manual Reset Overload
Average Water Usage	1/4 Gallon Per Person Per Day
Average Electrical Usage	1/2 KWH Per Month
Drain Connection	1-1/2" Anti-Vibration (Hose Clamp)
Dishwasher Drain Connection	Yes

Sample Specification

Food Waste Disposer(s) shall be InSinkEerator Model Evolution Essential™ with MultiGrind and SoundSeal technologies, 3/4 HP motor, Stainless Steel Grind Chamber and components.

Warranty:

6-Year parts and in-home service.

* The complete InSinkEerator warranty is included in the Care & Use Booklet packed with each unit.



EMERSON
Appliance Solutions

The Emerson logo is a trademark and service mark of Emerson Electric Co.
InSinkEerator is a division of Emerson Electric Co.

1-800-558-5700
www.insinkerator.com

Printed in USA

© 2006 InSinkEerator

H605-06C-64-02