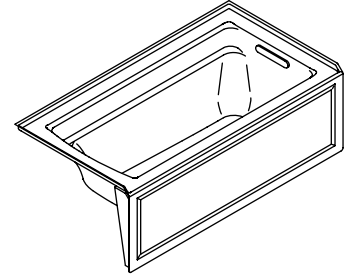


Features

- Acrylic
- Left or right drain
- Integral apron
- Integral tile flange
- Slotted overflow for maximum bathing depth
- Low threshold height
- Integral lumbar support
- Armrests
- 60" (152.4 cm) x 32" (81.3 cm) x 19" (48.3 cm)

5' (1.5 m) BATH WITH INTEGRAL APRON

K-1123-LA
ALSO K-1123-RA



Codes/Standards Applicable

Specified model meets or exceeds the following:

- ANSI Z124.1.2
- IAPMO/UPC
- Underwriters Laboratories (UL)
- CSA B45
- CSA International

Colors/Finishes

- 0: White
- Other: Refer to Price Book for additional colors/finishes

Accessories:

- CP: Polished Chrome
- Other: Refer to Price Book for additional colors/finishes

Specified Model

Model	Description	Colors/Finishes	
K-1123-LA	Bath with integral apron, left drain	<input type="checkbox"/> 0	<input type="checkbox"/> Other _____
K-1123-RA	Bath with integral apron, right drain	<input type="checkbox"/> 0	<input type="checkbox"/> Other _____
Required Accessories			
K-7272	Bath drain – above or through-the-floor installation	<input type="checkbox"/> CP	<input type="checkbox"/> Other _____

Product Specification:

The acrylic bath shall be 60" (152.4 cm) in length, 32" (81.3 cm) in width, and 19" (48.3 cm) in height. Bath shall have left or right drain. Bath shall have slotted overflow for maximum bathing depth, low threshold height, and integral lumbar support. Bath shall have integral apron and integral tile flange. Bath shall have armrests. Bath shall be Kohler Model K-1123-_____-_____-_____.

ARCHER™

Technical Information

Fixture*:	
Bathing well	
Basin area bottom	45-1/8" (114.6 cm) x 19-11/16" (50 cm)
Basin area top	52-3/4" (134 cm) x 25-5/16" (64.3 cm)
Weight	80 lbs (36.3 kg)
To overflow	
Water depth	15" (38.1 cm)
Capacity	58 gal (219.5 L)
* Approximate measurements for comparison only.	

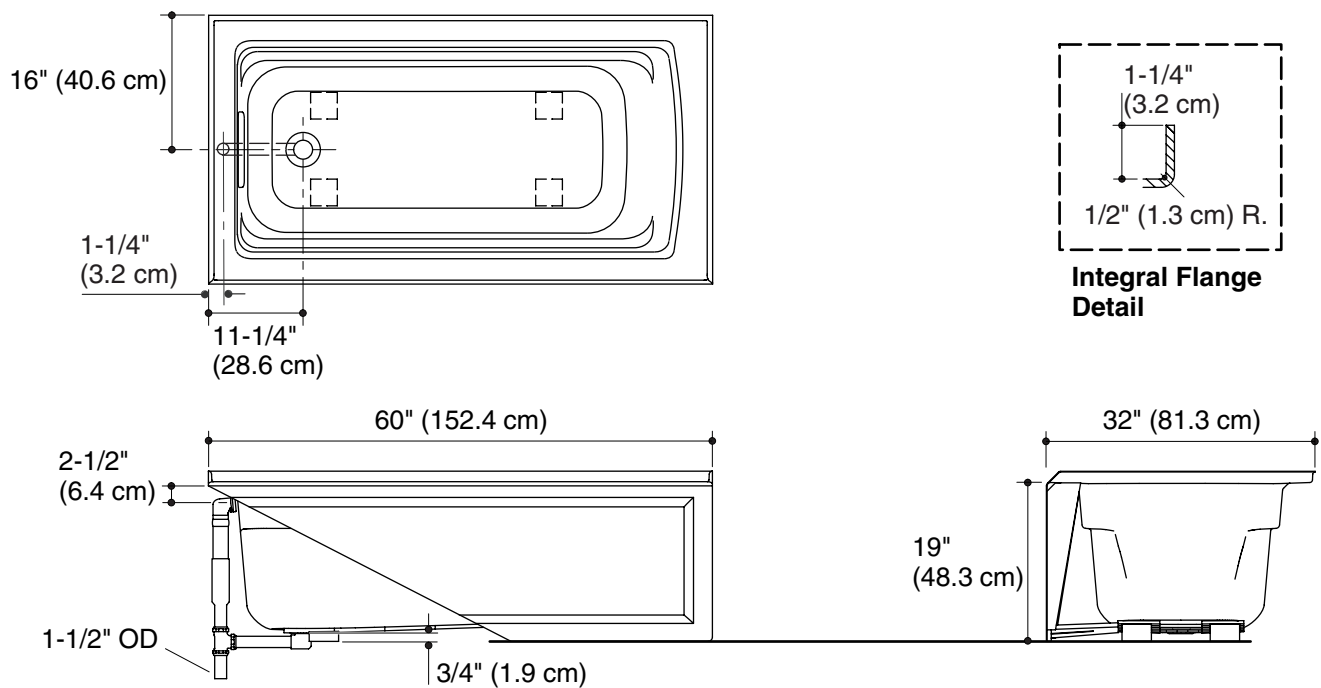
Installation Notes

Install this product according to the installation guide.

Floor support under this product must provide for a minimum of 45 lbs/square foot (216 kg/square meter) loading.

The hot water supply should be 70% of the capacity of the bath or greater. Installations will vary.

No change in measurements if connected with drain illustrated. (K-7272)



Product Diagram