

### Product Information

Applicable product:	
Undercounter lavatory	K-2355
Lavatory is ADA compliant when installed per the requirements of the Accessibility Guidelines, Section 606 Lavatories and Mirrors, of the Act.	<b>ADA</b>
Recommended accessory:	
Adjustable P-Trap	K-8998
Included components:	
Basin clamp assembly	52047
Cut-out template	1051937-7
Fixture*:	
Basin area	17-5/16" (44 cm) x 13" (33 cm)
Water depth	3-3/4" (9.5 cm)
Drain hole	1-3/4" (4.4 cm) D.
* Approximate measurements for comparison only.	

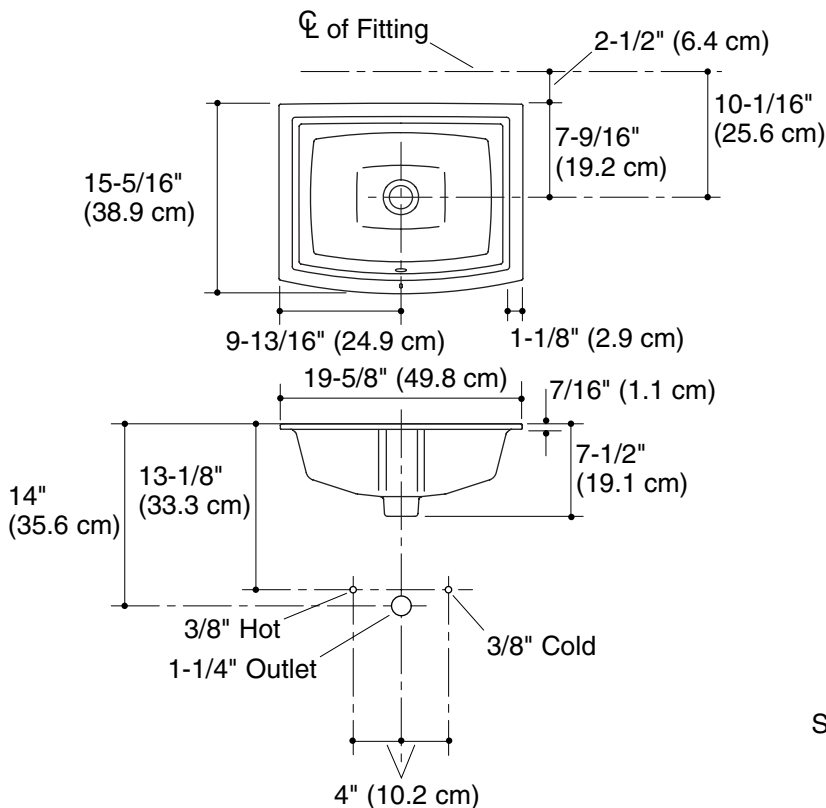
### Installation Notes

Install this product according to the installation guide.

Supplied basin clamp assemblies require 1" (2.5 cm) minimum countertop thickness. Installer must supply anchors for thinner countertops.

**NOTICE:** Countertop manufacturer or cutter must use the cut-out template provided with the product, or a current one provided by Kohler (call 1-800-4-KOHLER). Kohler is not responsible for cut-out errors when incorrect cut-out template is used.

Fixture dimensions are nominal and conform to tolerances in ASME Standard A112.19.2.



**Standard Installation**

