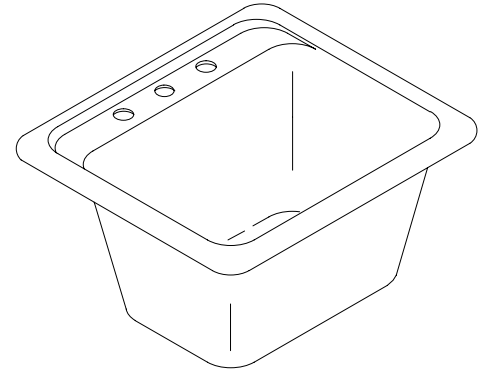


FEATURES

- 24" x 21"
- Cast iron
- Acid resistant enamel finish
- Metal frame mounting
- Single compartment
- 3-hole drilling



CODES/STANDARDS APPLICABLE

Specified model meets or exceeds the following:

- ASME/ANSI A112.19.1M
- IAPMO/UPC
- Canadian Standards Association (CSA)
- State of Massachusetts

COLORS/FINISHES

- 0 White
- Other Refer to Fixtures Price Book for additional colors

Accessories:

- CP Polished Chrome
- NA None Applicable
- Other Refer to Price Book for additional finishes

SPECIFIED MODEL:

Model	Description	Colors/Finishes	
		<input type="checkbox"/> 0 White	<input type="checkbox"/> Other _____
K-6757-3	3-hole sink	<input type="checkbox"/> 0 White	<input type="checkbox"/> Other _____

Recommended Accessories			
K-9000	Trap	<input type="checkbox"/> CP	
Optional Accessories			
K-6596	Metal frame	<input type="checkbox"/> NA	
K-8820	Sink strainer with tailpiece OR	<input type="checkbox"/> CP	
K-8821	Sink strainer with rubber stopper and tailpiece	<input type="checkbox"/> CP	
K-8801	Duostrainer sink strainer	<input type="checkbox"/> CP	<input type="checkbox"/> Other _____

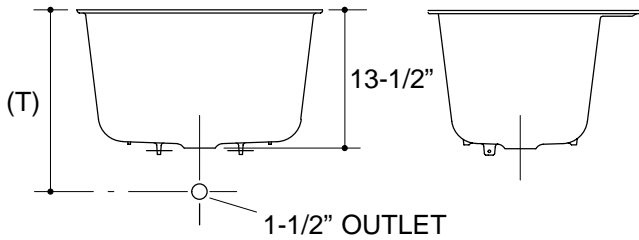
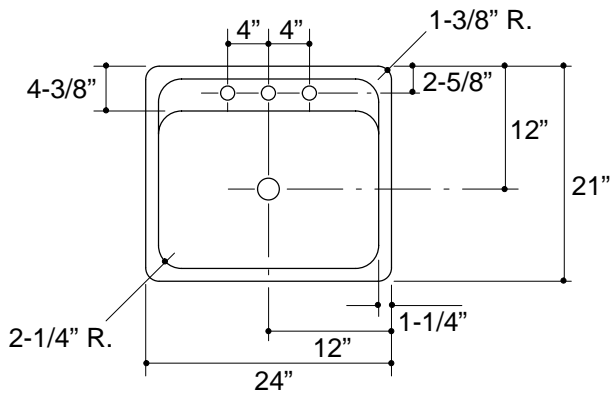
PRODUCT SPECIFICATION:

The utility sink shall be 24" in length, and 21" in width. Sink shall be made of cast iron with acid resistant enamel finish. Sink shall be for metal frame installation. Sink shall be single compartment. Sink shall be 3-hole drilled. Sink shall be Kohler Model K-6757-3-_____.

GLEN FALLS™

PRODUCT INFORMATION

Fixture*:		basin area	water depth
Sink		22" x 15"	12-1/2"
Water capacity	14 gallons		
Outlets	2-1/8" D.		
Faucet holes	1-3/8" D.		
* Approximate measurements for comparison only.			



Roughing-In Notes

(T) Drain typically 17-3/4".

Cutout	Metal frame required.
--------	-----------------------

.85<116

PRODUCT DIAGRAM