

Features

- Brass construction
- Deck-mount
- Variety of handle style options
- 7-1/16" (17.9 cm) non-diverter spout with slip-fit connection

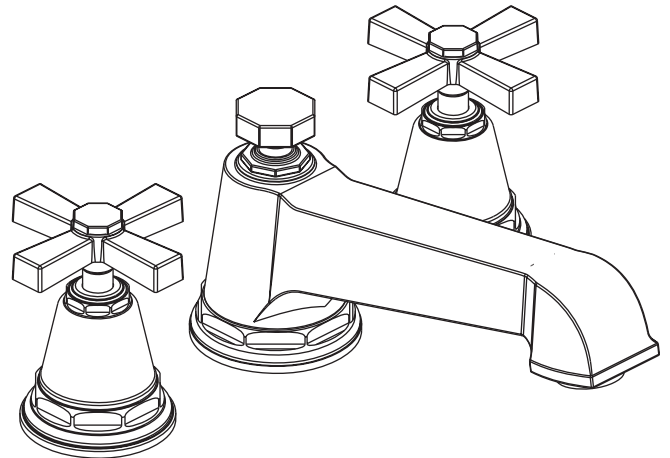
**DECK-MOUNTED BATH FAUCET TRIM
K-T13140**

ADA

Codes/Standards Applicable

Specified model meets or exceeds the following:



- ASME A112.18.1
- CSA B125
- IAPMO/UPC
- ADA

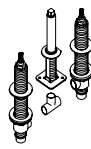
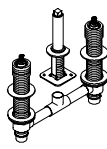
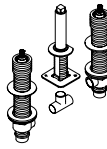


Colors/Finishes

- CP: Polished Chrome
- Other: Refer to Price Book for additional colors/finishes

Specified Model

Model	Description	 ADA	 ADA
K-T13140-3A	Bath faucet trim, with plain cross handles	<input type="checkbox"/> CP <input type="checkbox"/> Other ____	
K-T13140-3B	Bath faucet trim, with grooved cross handles		<input type="checkbox"/> CP <input type="checkbox"/> Other ____

Required Accessory				
K-300-K	1/2" High-flow ceramic disc valve system	<input type="checkbox"/> NA		
K-300-KR	1/2" High-flow ceramic disc valve system, rigid connections		<input type="checkbox"/> NA	
K-301-K	3/4" High-flow ceramic disc valve system			<input type="checkbox"/> NA

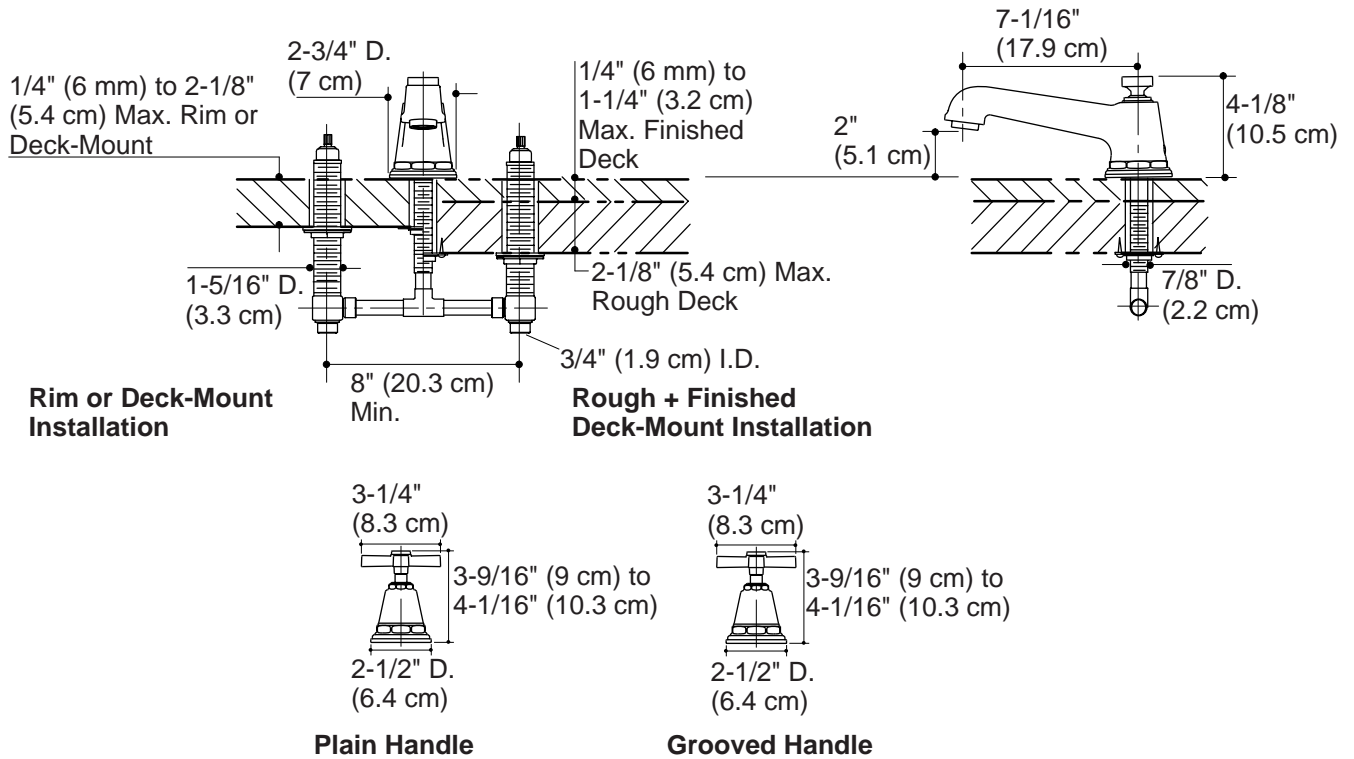
Product Specification

Two-handle deck-mount high-flow bath faucet trim shall be of brass construction. Product shall include 7-1/16" (17.9 cm) non-diverter spout with slip-fit connection, and handles. Faucet trim shall be Kohler Model K-T13140-____-____ and valve system shall be Kohler Model K-____-K__-NA.

PINSTRIBE™

Installation Notes

Install this product according to the installation guide.



Product Diagram