

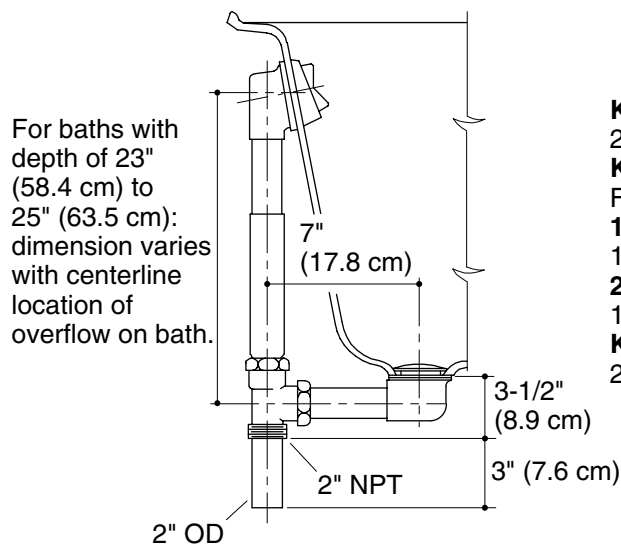
Product Information

Applicable product:	
Bath drain – for Tea-For-Two 5.5' (1.7 m) baths/bath whirlpools with 24" (61 cm) depth*, 1-1/2" NPT connection	K-7147-AF
Bath drain – for Tea-For-Two 5.5' (1.7 m) bath whirlpools K-856-M and K-856-V with 23" (58.4 cm) depth*, 1-1/2" NPT connection	K-7148-AF
Bath drain – for bath whirlpools with 23" (58.4 cm) to 25" (63.5 cm) depth*, 2" NPT connection	K-7167
Bath drain – for Tea-For-Two 5' (1.5 m) with 18-1/4" (46.4 cm) depth* and 6' (1.8 m) baths/bath whirlpools with 20-7/8" (53 cm) depth, 1-1/2" NPT connection	K-7169-AF
*The depth dimension referenced is from the top of the bath rim to the base of the bath.	

Installation Notes

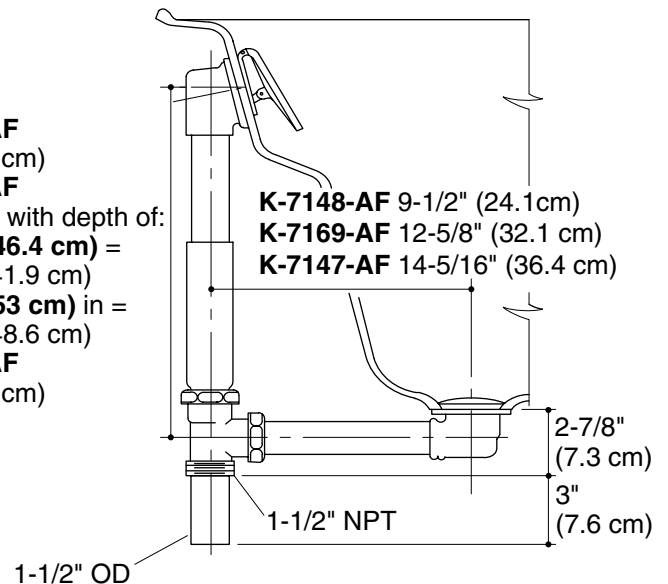
Install this product according to the installation guide.

NOTICE: The dimension from the centerline of the overflow to the centerline of the tee shown in the product diagram is for reference only. Dry fit the drain to the bath/bath whirlpool to obtain the exact dimension of the overflow ell.



K-7167

K-7148-AF
 21" (53.3 cm)
K-7169-AF
 For baths with depth of:
18-1/4" (46.4 cm) =
 16-1/2" (41.9 cm)
20-7/8" (53 cm) in =
 19-1/8" (48.6 cm)
K-7147-AF
 22" (55.9 cm)



K-7147-AF
K-7148-AF
K-7169-AF