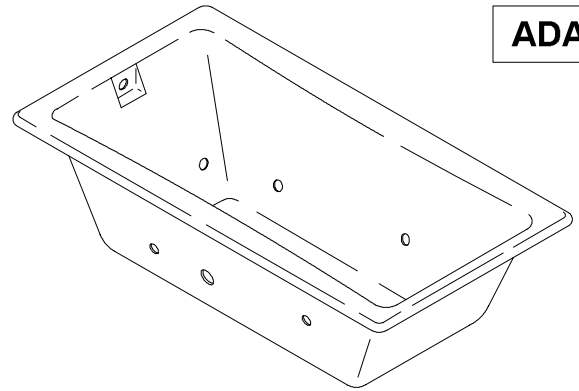


# K-852-H2

ADA



## FEATURES

- 60" (152.4cm) x 32" (81.3cm) x 18-1/4" (46.4cm)
- Cast iron with Safeguard® slip-resistant finish
- 1.5 hp variable speed pump with 1.5 kW heater, and back-lit user control
- 6 Flexjets
- UL Listed
- ADA compliant when installed with seat at head end
- LESS ALL TRIM

## CODES/STANDARDS APPLICABLE

Specified model meets or exceeds the following:

- ADA
- ASME/ANSI A112.19.1M
- ASME/ANSI A112.19.7M
- IAPMO/UPC
- Underwriters Laboratories (UL)

## COLORS/FINISHES

- 0 White
- Other Refer to Price Book for additional colors

### Accessories:

- CP Polished Chrome
- PB Polished Brass
- Other Refer to Price Book for additional finishes
- NA None Applicable

## SPECIFIED MODEL:

Model	Description	Colors/Finishes		
K-852-H2	Bath whirlpool	<input type="checkbox"/> 0 White	<input type="checkbox"/> Other_____	
<b>Required Accessories</b>				
K-9696	Jet trim kit	<input type="checkbox"/> CP	<input type="checkbox"/> PB	<input type="checkbox"/> Other_____
K-7169-AF	Drain	<input type="checkbox"/> CP	<input type="checkbox"/> PB	<input type="checkbox"/> Other_____
<b>Optional Accessories</b>				
K-586	Undermount installation kit (template and installation instructions)	<input type="checkbox"/> NA		
K-1179	Vinyl tiling-in bead (use when wall material contacts any top surface of bath)	<input type="checkbox"/> NA		
K-1491	Pillow	<input type="checkbox"/> 0 White	<input type="checkbox"/> Other_____	
K-1601	Footstop	<input type="checkbox"/> 0 White	<input type="checkbox"/> Other_____	
K-1172	Adjustable feet	<input type="checkbox"/> NA		
K-1703	Remote control	<input type="checkbox"/> NA		

## PRODUCT SPECIFICATION:

The bath whirlpool shall be 60" (152.4cm) in length, 32" (81.3cm) in width, and 18-1/4" (46.4cm) in height. Bath whirlpool shall be made of cast iron with Safeguard® finish. Bath whirlpool shall have 6 Flexjets, 1.5 hp variable speed pump, 1.5 kW heater, and back-lit user control. Bath whirlpool shall be UL listed. Bath whirlpool shall be less all trim. Bath whirlpool shall be Kohler Model K-852-\_\_\_\_\_-\_\_\_\_\_-\_\_\_\_\_.

# TEA-FOR-TWO™

## PRODUCT INFORMATION

Fixture*:	basin area	top area	weight	
Bathing well	40-1/2" (102.9cm) x 20" (50.8cm)	52-3/4" (134cm) x 24" (61cm)	290 lbs. (131.5kg)	
	water depth	capacity		
To overflow	13-5/8" (34.6cm)	60 gal. (227.1L)		
* Approximate measurements for comparison only.				
Pump	Heater	Voltage	Frequency	Amperage
1.5 HP	1.5 kW	240 V	50/60 Hz	11 A

## REQUIRED ELECTRICAL SERVICE

Dedicated circuit required, protected with Class A Ground-Fault Circuit-Interrupter (GFCI) or Earth-Leakage Circuit-Breaker (ELCB):	
Pump/control	220/240 V, 20 A, 50/60 Hz

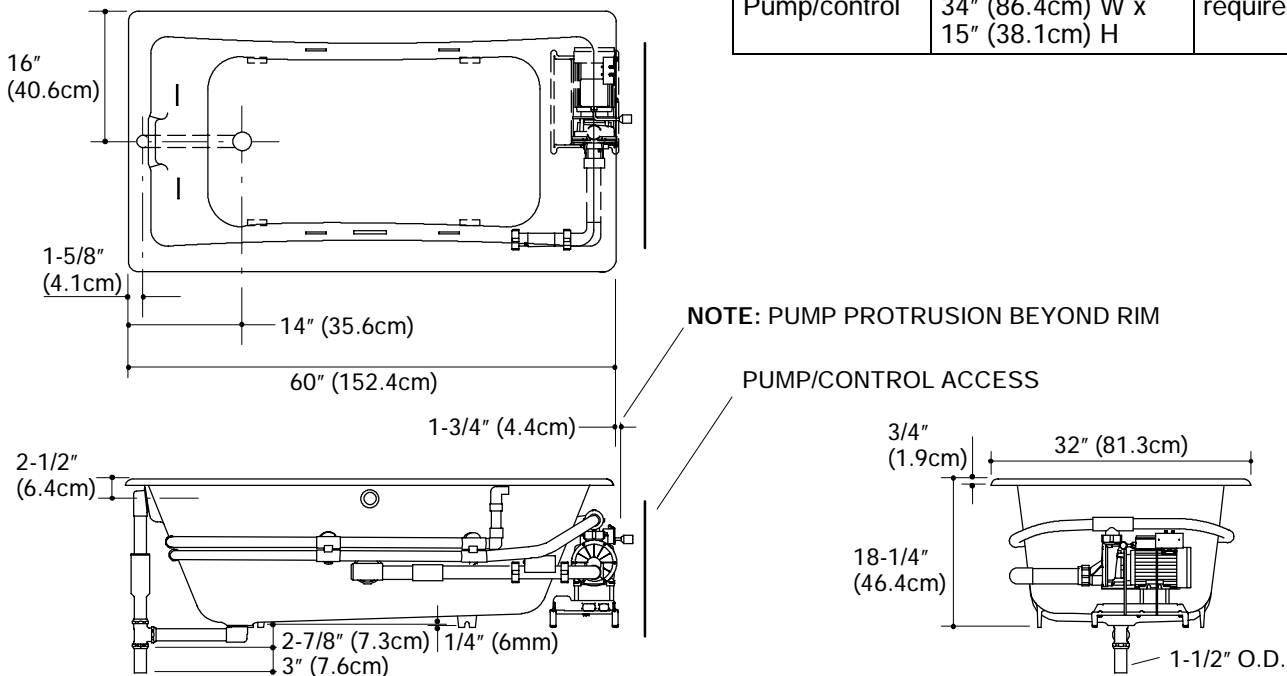
## INSTALLATION NOTES

**Note:** Pump protrusion beyond rim.

Install this product according to the installation guide.

Floor support under whirlpool must provide for a minimum of 1200 lbs. (544.3kg)

No change in measurements if connected with drain illustrated. (K-7169-AF or K-7169M-AF)		
Drop-in cut-out	58-1/2" (148.6cm) x 30-1/2" (77.5cm)	
Cut-out for undermount	K-586 template	
Minimum access panel:		
Pump/control	34" (86.4cm) W x 15" (38.1cm) H	required



## PRODUCT DIAGRAM