

SINK DESCRIPTION

- Manufactured of 18 gauge, type 301 nickel-bearing stainless steel
- The large bowl is a minimum of 21" wide by 16" and is 10" deep
- The sink ledge has four fixture mounting holes, 1-1/2" in diameter and 4" on center
- Has one 3-1/2" diameter recessed drain opening
- Is fully undercoated with sound and temperature insulating material and sound deadening pads
- The exposed surfaces are polished to a lustrous satin tone finish
- Includes all necessary mounting hardware

CUT OUT DIMENSIONS

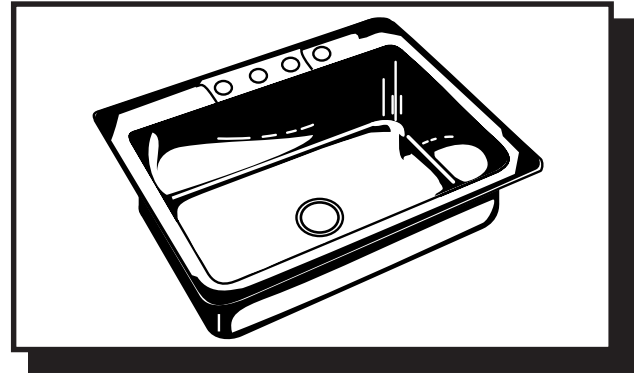
- Cut out dimensions are 24-3/8" x 21-3/8", with a 3/8" corner radius. A tolerance of plus or minus 1/16" is acceptable

STANDARDS

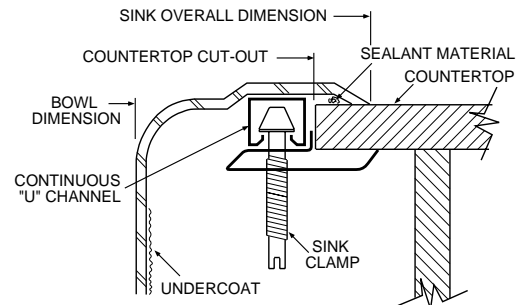
- Designed and manufactured to comply with the requirements of: ASME A112.19.3M and all requirements referenced therein

WARRANTY

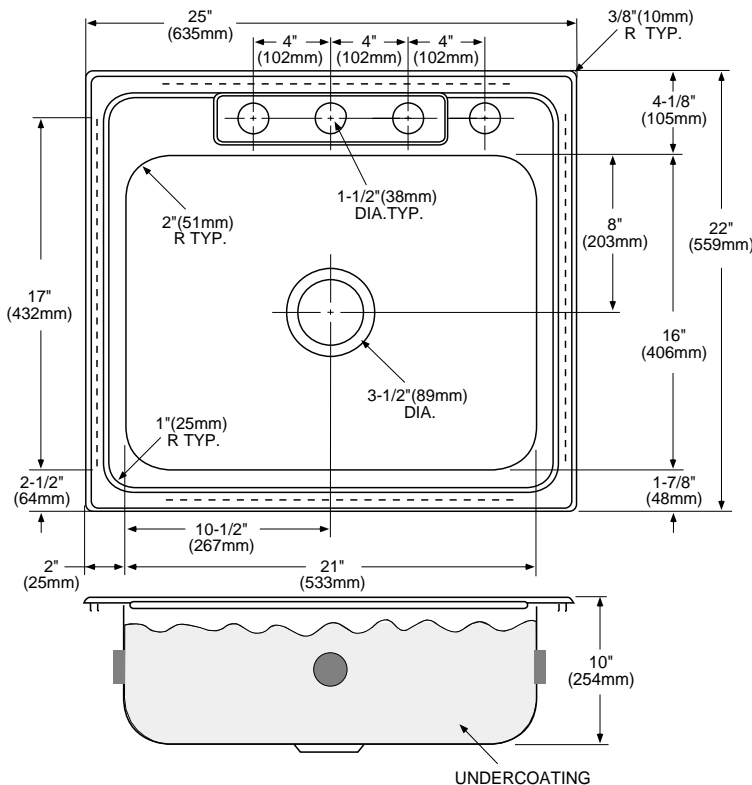
- Warranted for fifteen years against material or manufacturing defects



Lancelot®
Single Bowl Kitchen Sink
Model: 22337
(LD-2522-4-10)



Installation Detail



CRITICAL DIMENSIONS

(DO NOT SCALE)