



Buy it for looks. Buy it for life.®

FAUCET DESCRIPTION

- Metal construction with chrome plated, LifeShine® brushed nickel or oil rubbed bronze finish
- Includes 7" rainshower showerhead, arm and flange
- Includes four function hand shower with 69" hose assembly, drop ell and slide bar

OPERATION

- Flow lever operates counterclockwise through a 90° arc with off at 6 o'clock and maximum flow at the 3 o'clock position. Shut off in clockwise direction
- Temperature lever operates through a 340° arc with maximum cold at full clockwise rotation and maximum hot at full counterclockwise rotation
- Safety stop preset temperature at 105°F (4°C)
- Safety stop override allows maximum temperature at 120°F (49°C)
- Factory established temperature range from 70°F (21°C) to 120°F (49°C)

FLOW

- Showerhead and handshower are limited to 2.5 gpm (9.5 L/min)

CARTRIDGE

- 30156 thermostatic cartridge design with non metallic/nonferrous materials
- 130157 volume ceramic disc cartridge design

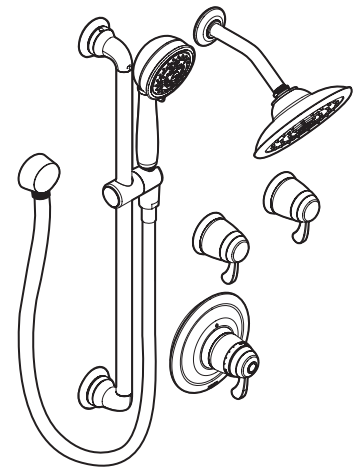
STANDARDS

- Third party certified to meet CSA B-125, ASME A112.18.1M and all applicable requirements referenced therein including ASSE1016

WARRANTY

- Lifetime limited warranty against leaks, drips and finish defects to the original consumer purchaser
- 5 year warranty if used in commercial installations

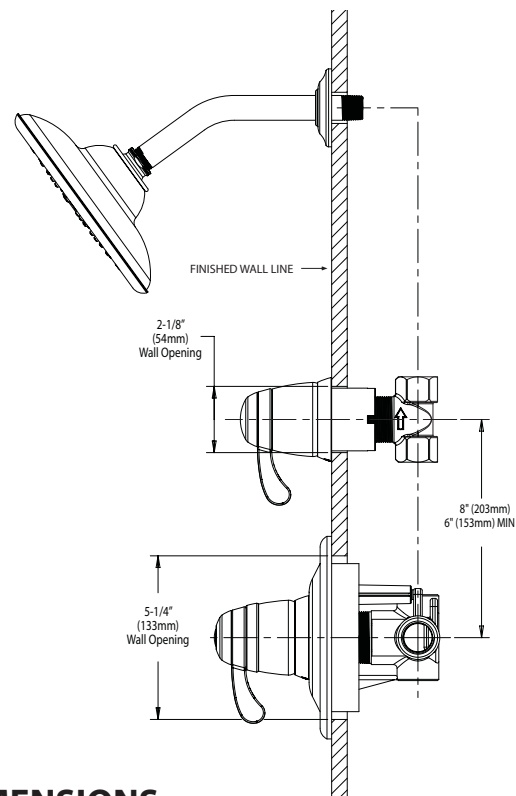
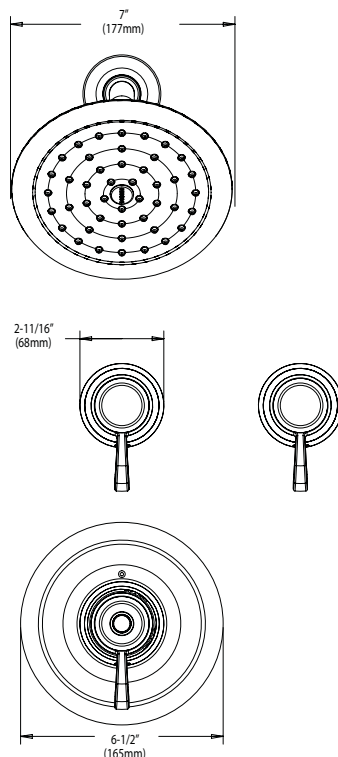
Specifications



MOEN® 3/4" Thermostatic Vertical Spa

Models: 270, 270BN, 270ORB

Valve Models: 3371, 3600
(Sold separately)



CRITICAL DIMENSIONS

(DO NOT SCALE)

FOR MORE INFORMATION CALL: 1-800-BUY-MOEN
www.moen.com



Buy it for looks. Buy it for life.®

DESCRIPTION

- Metal construction with a chrome plated, LifeShine® Brushed Nickel, Antique Nickel, Wrought Iron, Pewter or Oil Rubbed Bronze finish

OPERATION

- Lever style handle operation

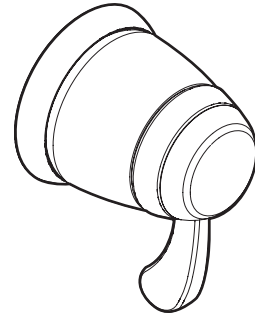
STANDARDS

- Third party certified by CSA to meet CSA B-125, ASME A112.18.1M and all applicable requirements referenced therein

WARRANTY

- Lifetime limited warranty against leaks, drips and finish defects to the original consumer purchaser
- 5 year warranty if used in commercial installations

Specifications

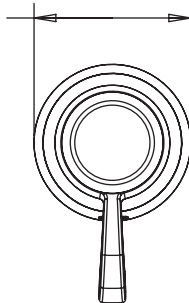


MOEN® Single Function Flow Valve Trim

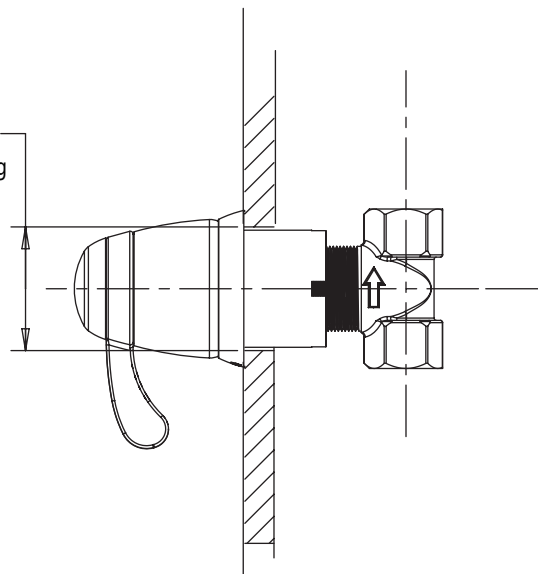
Models: TL3600, TL3600BN, TL3600AN,
TL3600WR, TL3600PW, TL3600ORB

Valve: 3600

2-11/16"
(68mm)



2-1/8"
(54mm)
Wall Opening



CRITICAL DIMENSIONS

(DO NOT SCALE)

FOR MORE INFORMATION CALL: 1-800-BUY-MOEN
www.moen.com



Buy it for looks. Buy it for life.®

Specifications

DESCRIPTION

- Handheld shower (non-metallic)
- 69" double interlock spiral hose (metal)
- Vacuum breaker
- 30" slide bar with push button height selection
- Available in chrome, Lifeshine® brushed nickel or oil rubbed bronze finish

OPERATION

- 4-Function massage, vigorous, full and combination: rotate outer ring to select
- Wall bracket rotates to adjust angle of hand shower

FLOW

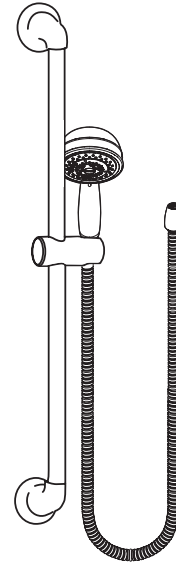
- Designed to deliver 2.5 gpm (9.5 L/min) at 60 psi

STANDARDS

- Designed and manufactured to comply with the requirements of: CSA B125, ASME A112.18.1M and ASSE 1014 and all applicable specifications referenced therein

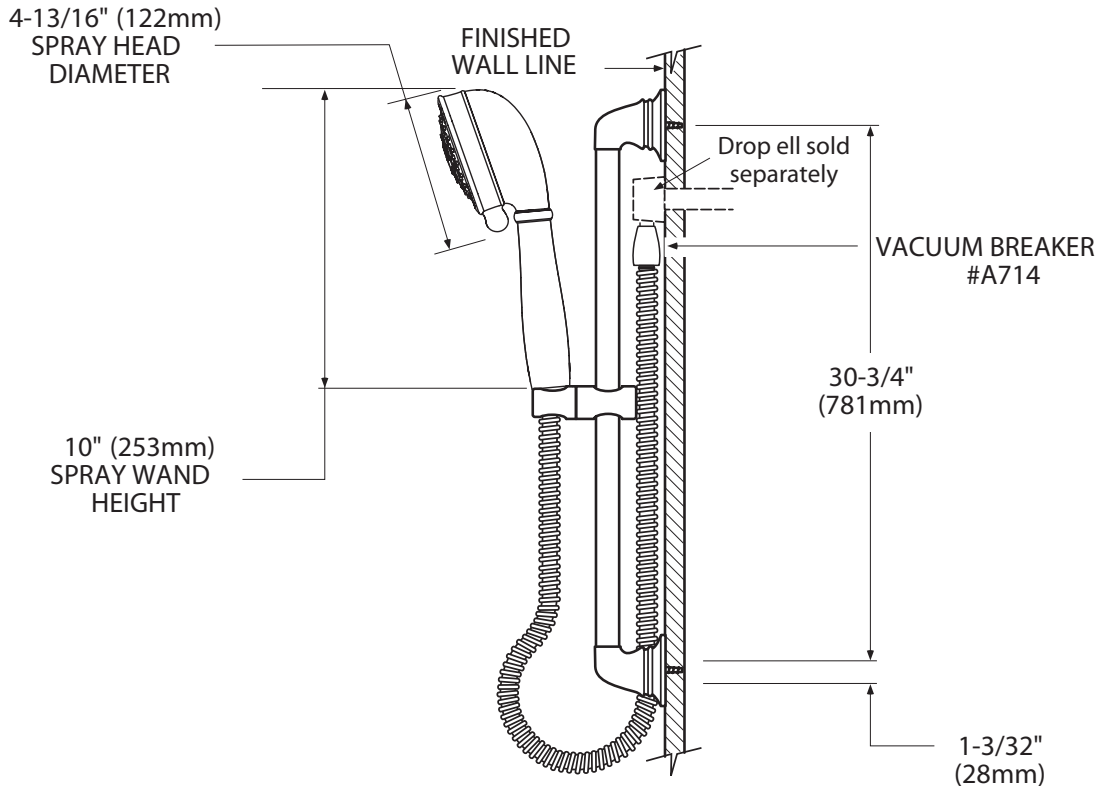
WARRANTY

- Warranted for one year against material or manufacturing defects



4-Function Massaging Handshower w/Slide Bar & Bracket

Models: 3844, 3844BN, 3844ORB



CRITICAL DIMENSIONS

(DO NOT SCALE)

FOR MORE INFORMATION CALL: 1-800-BUY-MOEN

www.moen.com



Buy it for looks. Buy it for life.®

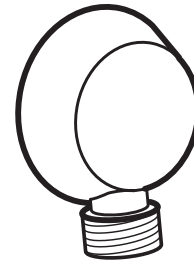
Specifications

DESCRIPTION

- Metal construction with a chrome plated, antique nickel, brushed nickel, classic gold, platinum, satine, wrought iron, polished brass, nickel brushed bronze, pewter or glacier finish

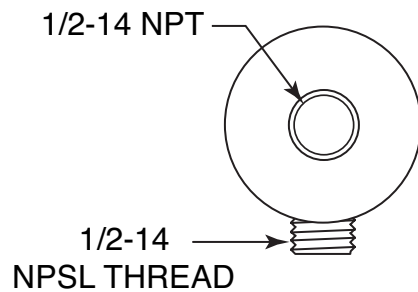
WARRANTY

- Warranted for one year against material or manufacturing defects

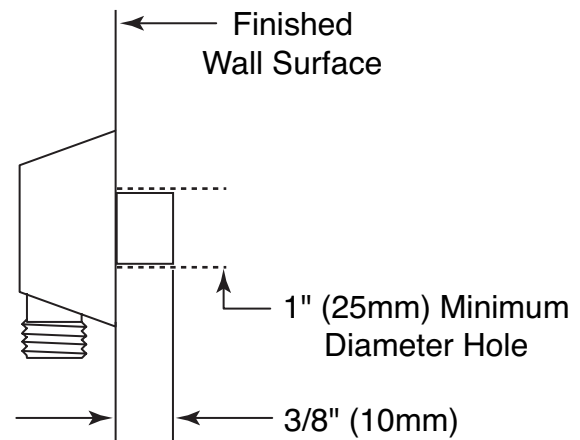


DROP ELL

Models: A725, A725P, A725W, A725ORB, A725WR, A725AN, A725BB, A725BN, A725CG, A725PM, A725ST, A725NL, A725PW



BACK VIEW



SIDE VIEW

CRITICAL DIMENSIONS

(DO NOT SCALE)