



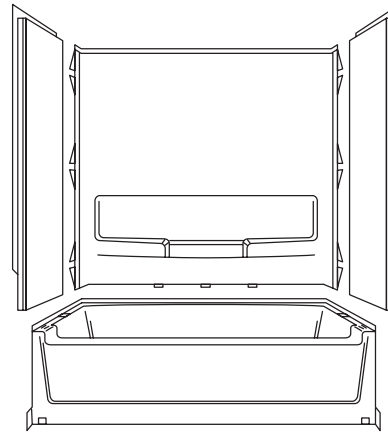
A KOHLER COMPANY

ADVANTAGE™

Features

- Bath and integral apron eliminates installation step
- Compression molded from Sterling's exclusive solid Vikrell® material
- Modular 4-piece design
- Lightly pebbled bottom surface for sure footing
- Tongue-and-groove "snap together" design
- Durable high gloss finish
- 10 year consumer/3 year commercial limited warranty
- Wall surround allows for attachment of grab bars
- 60" (152.4 cm) x 31-1/4" (79.4 cm) x 73-1/4" (186.1 cm) complete unit rough-in dimensions includes flange
- 60" (152.4 cm) x 30" (76.2 cm) x 72" (182.9 cm) complete unit finished dimensions

60" (152.4 cm) BATH/SHOWER SYSTEM WITH BACKER BOARDS 61030116



Codes/Standards Applicable

Specified model meets or exceeds the following:

- ASTM E84
- ANSI Z124.1.2
- HUD, UM Bulletin 73A
- NAHB Research Foundation, Inc.

Colors/Finishes

- 0: White
- Other: Refer to Price Book for additional colors/finishes

Specified Model

Model	Complete Unit Description	Colors/Finishes	
61030116	Bath/shower and wall surround with backer boards, left drain	<input type="checkbox"/> 0	<input type="checkbox"/> Other_____
61030126	Bath/shower and wall surround with backer boards, right drain	<input type="checkbox"/> 0	<input type="checkbox"/> Other_____
Model	Wall Component Description	Colors/Finishes	
61034106	Complete wall set with backer boards	<input type="checkbox"/> 0	<input type="checkbox"/> Other_____

SterlingPlumbing.com

Visit us online for fixture color choices, detailed product information, color photos, installation instructions, care guides, and warranties. Sterling offers additional lines of plumbing products to complement the Sterling product you've chosen. Sign up for the Sterling monthly e-newsletter which showcases our latest product innovations. You may also call our Sterling Plumbing Answer Center from within the USA at 1-888-STERLING in addition to consulting with your local dealer. Sterling. Strong. Professional. Design.

ADVANTAGE™

Technical Information

Fixture:*	basin area	top area
Bathing well	56-3/4" (144.1 cm) x 25-1/4" (64.1 cm)	60" (152.4 cm) x 30-5/8" (77.8 cm)
	water depth	capacity
To overflow	9-3/8" (23.8 cm)	42 gal (159 L)

* Approximate measurements for comparison only.

Model	door maximum width	door maximum height
61030116 61030126 61030416 61030426	56-3/4" (144.1 cm)	57" (144.8 cm)

Installation Notes

Install this product according to the installation guide.

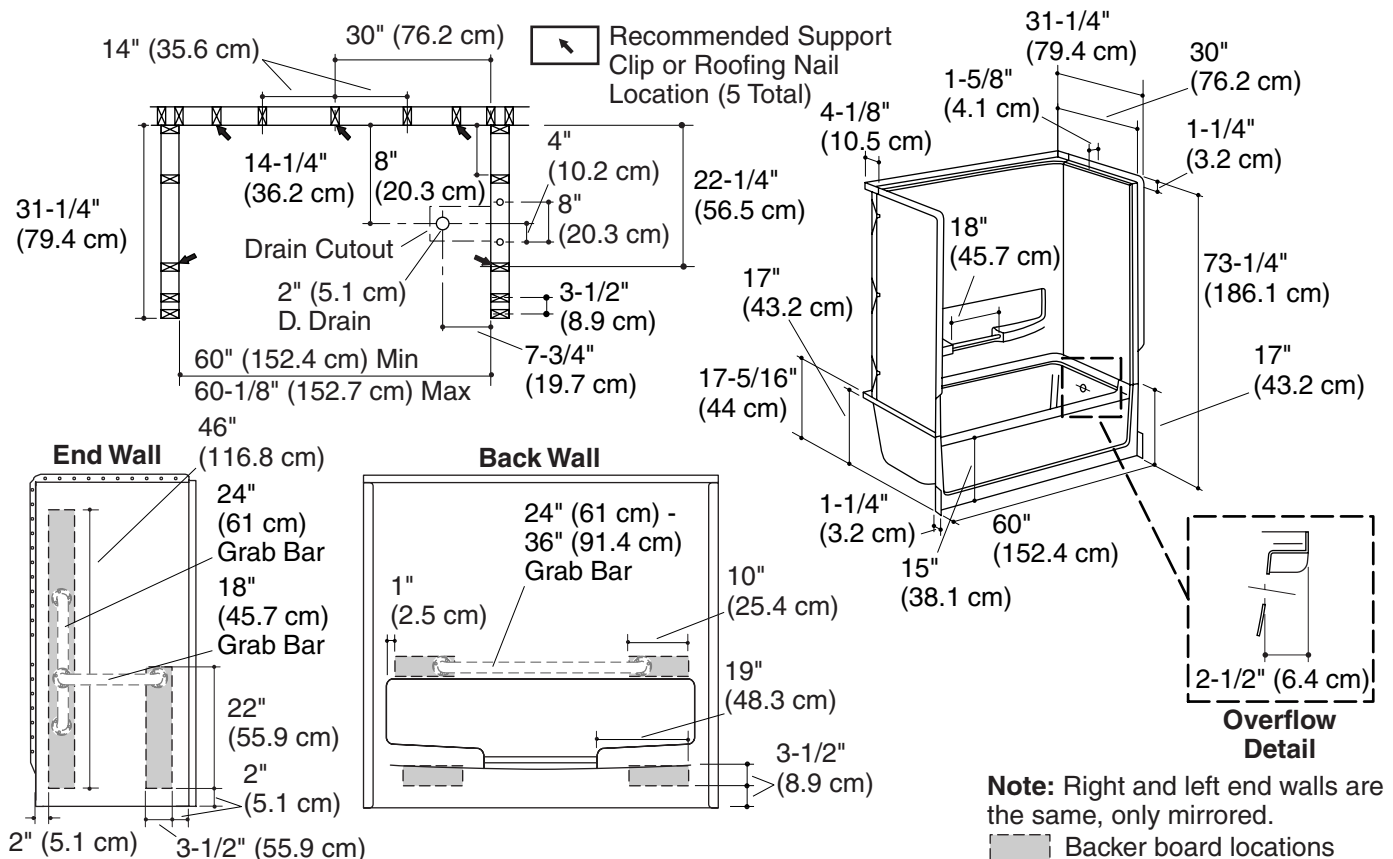
Size the drain cutout to fit the drain assembly that will be used.

End stud positioning is critical if nailing-in flanges are to be used.

Double studding is recommended for pivot shower door installations.

Studs should be positioned roughly as shown for support clip or roofing nail installation.

Attach grab bars at the specified backer board locations only.



Product Diagram

ADVANTAGE™ 60" (152.4 cm) BATH/SHOWER SYSTEM WITH BACKER BOARDS