



A KOHLER COMPANY

# Advantage™

## 32" Shower 62010100



### Features

- Modular design allows it to be moved around corners and through doorways with ease.
- Durable swirl gloss finish.
- Convenient shelving on back wall.
- 32" (813 mm) x 34" (864 mm) x 72" (1829 mm) complete unit finished dimensions.

### Material

- Compression molded from our exclusive Vikrell® material.

### Installation

- Tongue-and-groove four piece modular design allows for easy snap together installation.
- Some caulk required for proper installation.

### Components

Product includes:

- 62012100 32" Shower Back Wall
- 62011100 32" Shower Base
- 62015100 32" Shower End Wall



### Codes/Standards

- CSA B45.5/IAPMO Z124
- ASTM E162
- ASTM E662
- Greenguard UL 2818 - Gold
- HUD, UM Bulletin 73



### STERLING® Warranty - Fixtures Made of Solid Vikrell Material

See website for detailed warranty information.

### Available Color/Finishes

*Color tiles intended for reference only.*

#### Color Code Description

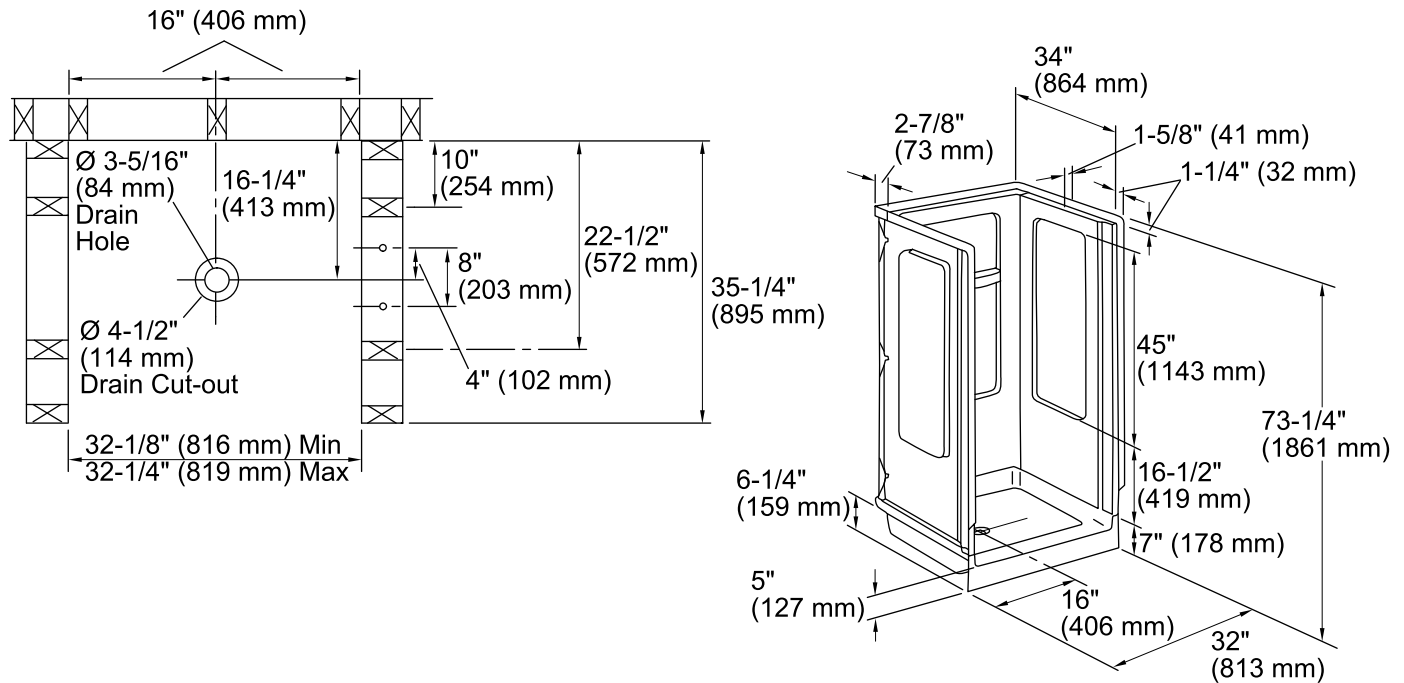
-  0 White
-  96 Biscuit

USA/Canada: 1-800-STERLING (1-800-783-7546)

Kohler Co. reserves the right to make revisions without notice to product specifications.

For the most current Specification Sheet, go to [www.sterlingplumbing.com](http://www.sterlingplumbing.com).

8-2-2015 00:54



**Technical Information**

All product dimensions are nominal.

- Installation: 3-Wall Alcove
- Drain location: Center
- Door height required: 67" (1702 mm)
- Door width required: 29-1/2" (749 mm)

**Notes**

- Install this product according to the installation guide.
- Double studing is recommended for pivot shower door installations.
- Studs should be positioned roughly as shown.