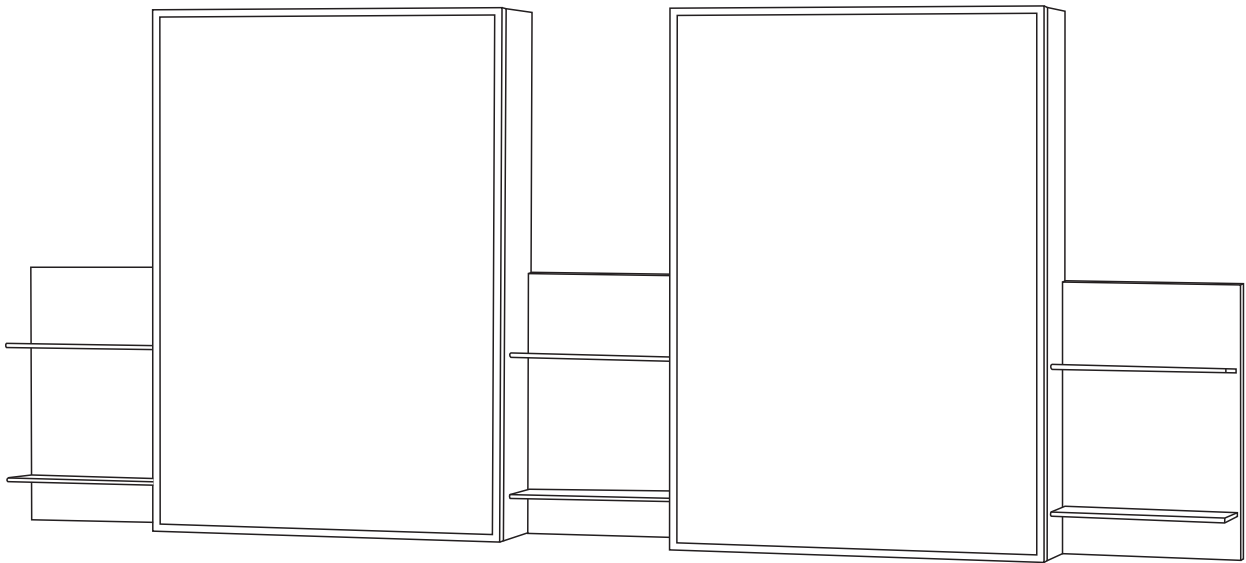


# WYNDHAM COLLECTION

- Prior to installation please check received items against the "Packing List". Please report any missing items to your retailer immediately.
- Protect all surfaces from sharp objects, high heat sources, direct prolonged sunlight and chemical hazards.
- Professional installation recommended.



## REQUIRED TOOLS NOT IN BOX



Electric drill



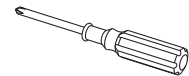
Tape measure



Drill bit (φ8)



Pencil



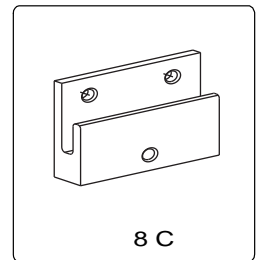
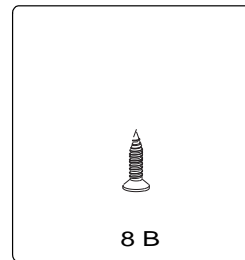
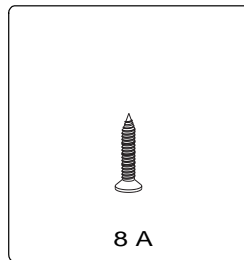
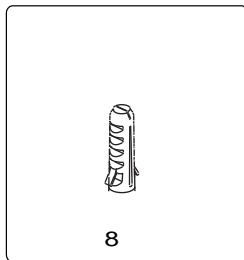
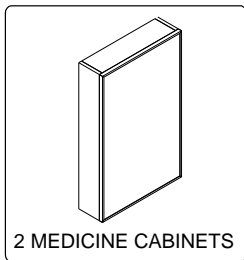
Screwdriver

WC-R4100-MIRCAB-SET-60  
INSTALLATION

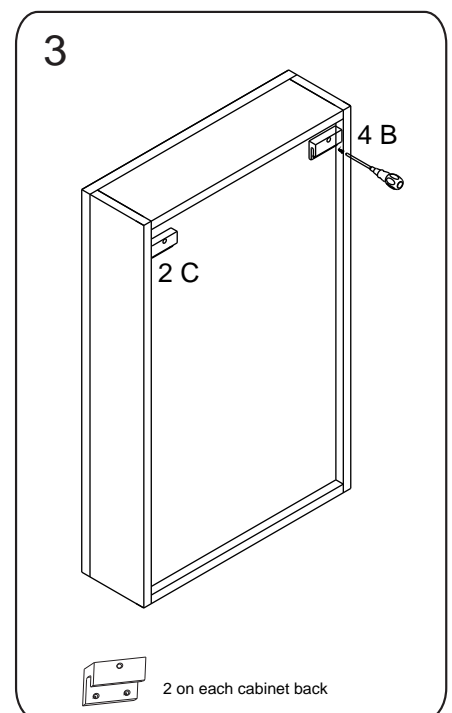
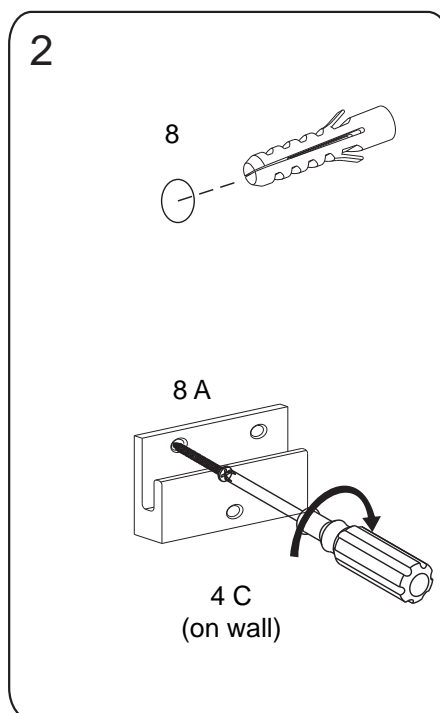
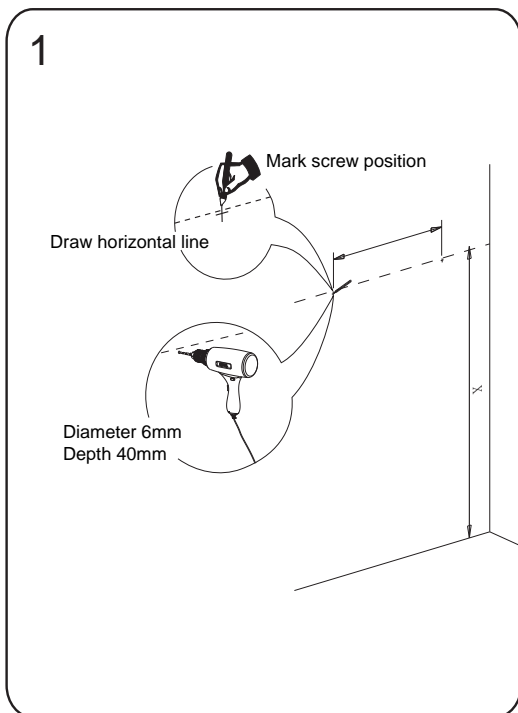
# WYNDHAM COLLECTION

- Prior to installation please check received items against the "Packing List". Please report any missing items to your retailer immediately.
- Protect all surfaces from sharp objects, high heat sources, direct prolonged sunlight and chemical hazards.
- Professional installation recommended.

## PACKING LIST FOR CABINETS



## INSTALLATION INSTRUCTIONS

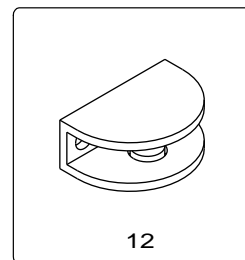
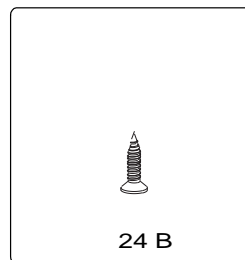
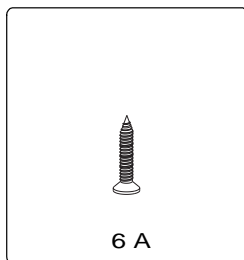
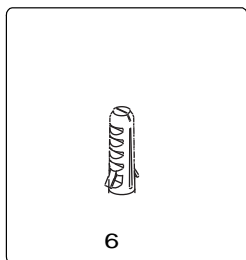
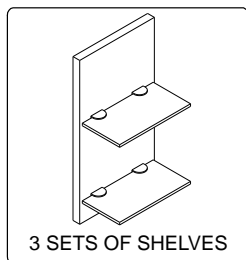


WC-R4100-MIRCAB-SET-60  
CABINETS INSTALLATION

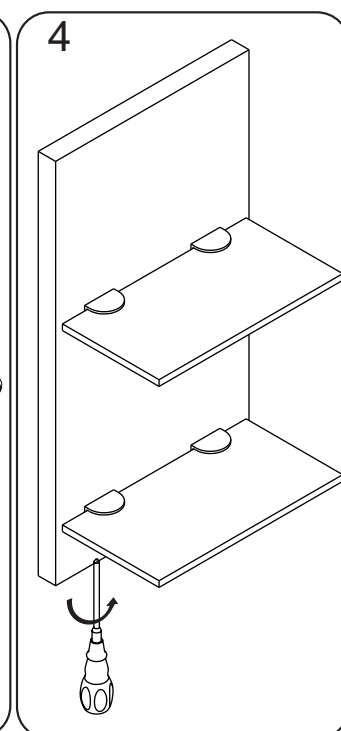
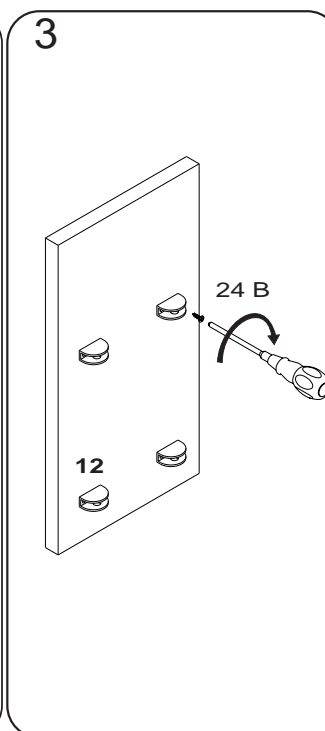
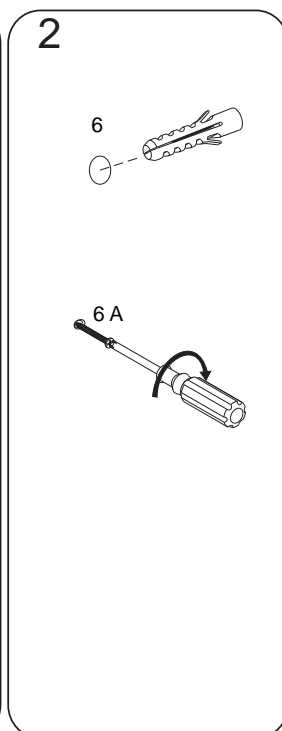
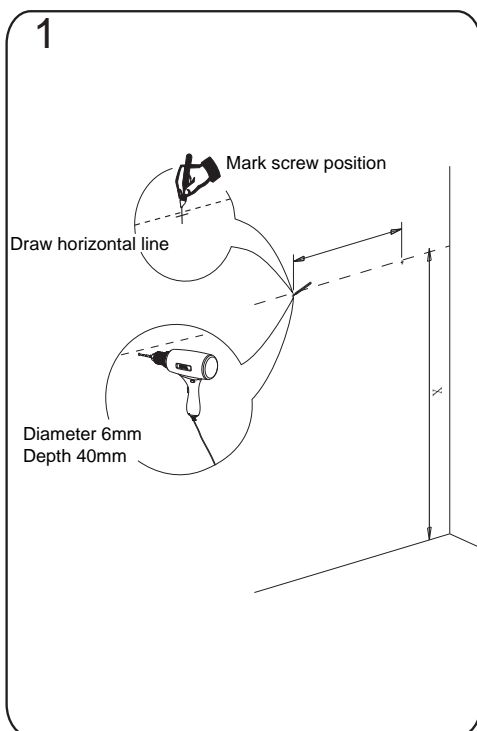
# WYNDHAM COLLECTION

- Prior to installation please check received items against the "Packing List". Please report any missing items to your retailer immediately.
- Protect all surfaces from sharp objects, high heat sources, direct prolonged sunlight and chemical hazards.
- Professional installation recommended.

## PACKING LIST FOR 3 SETS OF SHELVES



## INSTALLATION INSTRUCTIONS



WC-R4100-MIRCAB-SET-60  
SHELVES INSTALLATION