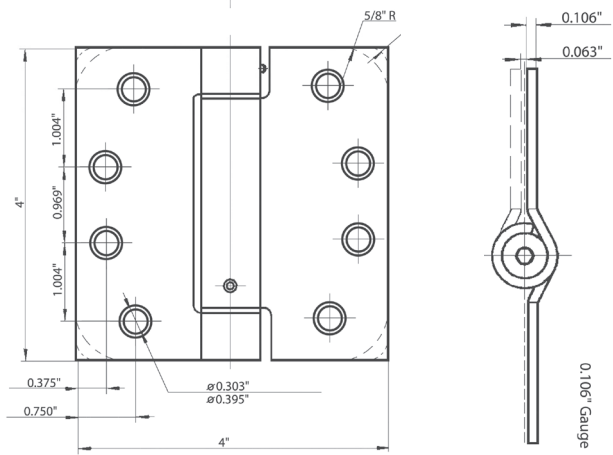


SPRING HINGE 4" X 4"



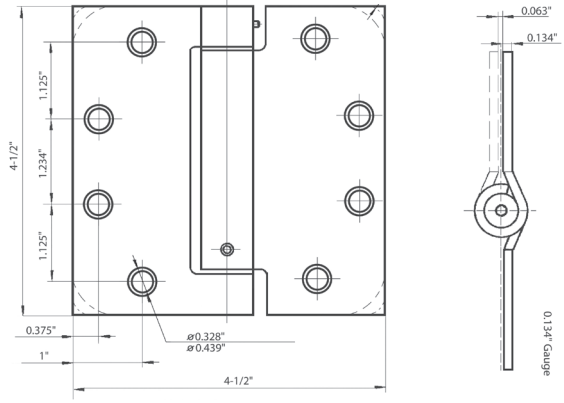
UL LISTED

SPECIFICATIONS

- #10 X 1/2" Machine screws (12-24NC) standard.
- #10 x 1" Wood screws standard.
- Gauge 0.106" Steel
- Box packed 1 Pair (2 pcs) per box. 20 Pair / CTN, 32 Lbs

Description	Radius		US26D	US10B
4" x 4" Spring Hinge	Sq.	Item No.	SP4106	SP4110
		List Price		
4" x 4" Spring Hinge	5/8"	Item No.	SP4506	SP4510
		List Price		

SPRING HINGE 4 1/2" X 4 1/2"



UL LISTED

SPECIFICATIONS

- #12 X 1/2" Machine screws (12-24NC) standard.
- #10 x 1 1/4" Wood screws standard.
- Gauge 0.134" Steel
- Box packed 1 pair (2 pcs) per box. 20 Pair / CTN, 47 Lbs

Description	Radius		US26D	US10B
4 1/2" x 4 1/2" Spring Hinge	Sq.	Item No.	SP5506	SP5510
		List Price		

SPRING HINGE SIZING GUIDE

MAXIMUM DOOR SIZE RECOMMENDED 3'-0" WIDE X 7'-0" HIGH				
RECOMMENDED MAXIMUM DOOR WEIGHT (LBS.)			HINGE SELECTION	
3.5 X 3.5	4 X 4	4.5 X 4.5	SPRING HINGES	BUTT HINGES
50	60	70	1 EACH	2 EACH
70	85	115	2 EACH	1 EACH
90	110	150	3 EACH	NONE

-Wind Conditions, excessive air pressure on one side of an opening, weather stripping, or other adverse job conditions may require the use of all spring hinges.
 -For maximum versatility use all spring hinges.



THE DELANEY CO.

Copyright © THE DELANEY CO. All rights reserved.