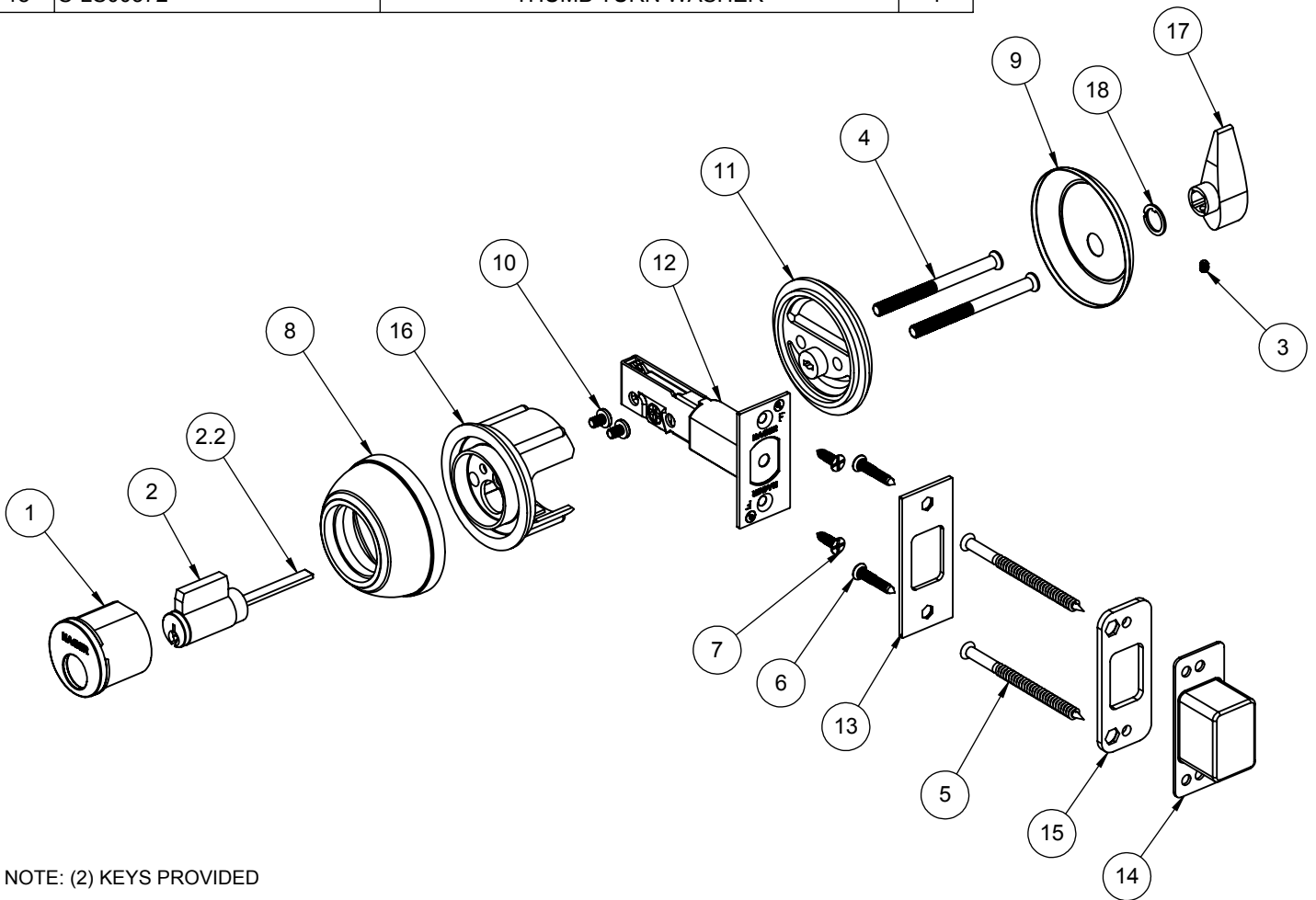


ITEM NO.	FILE NAME	DESCRIPTION	QTY.
1	S-LS00718	EXTERIOR DOUBLE CYLINDER HOUSING	1
2	S-LS00617	6-PIN DRILLED CYLINDER	1
2.2	S-LS00219	TAILPIECE (2-639-7007)	1
3	Socket Set Screw Flat Point_AI	FLAT POINT SOCKET SET SCREW #6-32 X 3/16"	1
4	S-LS00883	CUSTOM #12-24 X 2-5/8" FPHMS	2
5	S-LS00885	CUSTOM #10 X 3" FPHWS	2
6	S-LS00882	#8 X 1-1/4" FPH COMBO SCREW	2
7	S-LS00882	#8 X 3/4" FPH COMBO SCREW	2
8	S-LS00367	ROSE	1
9	S-LS00371	THUMB TURN ROSE	1
10	Pan Cross Head_AI	#8-32 X 1/4" PHMS	2
11	S-LS00876	THUMBTURN ROSE LINER ASSEMBLY	1
12	S-LS00007	3940 DEADBOLT LATCH (2-3/4" BACKSET)	1
13	S-LS00723	DEADBOLT STRIKE	1
14	S-LS00725	DEADBOLT DUST BOX	1
15	S-LS00724	DEADBOLT WOOD REINFORCER	1
16	S-LS00379	STANDARD CYLINDER FIRE SHIELD	1
17	S-LS00373	THUMB TURN	1
18	S-LS00372	THUMB TURN WASHER	1



NOTE: (2) KEYS PROVIDED



PROPRIETARY & CONFIDENTIAL
 THE INFORMATION CONTAINED IN THIS DRAWING IS THE SOLE PROPERTY OF HAGER COMPANIES. ANY REPRODUCTION IN PART OR AS A WHOLE WITHOUT THE WRITTEN PERMISSION OF HAGER COMPANIES IS PROHIBITED.

HAGER RESERVES THE RIGHT TO MAKE DESIGN CHANGES WITHOUT NOTICE. CALL HAGER ENGINEERING AT 1-800-325-9995 FOR THE LATEST REVISION DATE OF TEMPLATE.

MATERIAL	Material <not specified>
FINISH	-
DO NOT SCALE DRAWING	

DRAWN	MRJ	1/9/2010
ENG. APPR.	-	-
TOLERANCES: FRACTIONAL: ±0.015" ANGULAR: MACH: ±1° BEND: ±1° TWO PLACE DECIMAL: ±0.01" THREE PLACE DECIMAL: ±0.004"		

3115		REV. 02	
GRADE 1 - CYLINDER X THUMBTURN DEADBOLT			
SIZE	DWG. NO.	REV.	
A	S-LS00881	02	
SCALE: 1:12	WEIGHT: 1.24	SHEET 1 OF 1	