



## **Ice Machine Parts List for Series S 22" Dispensers Models**

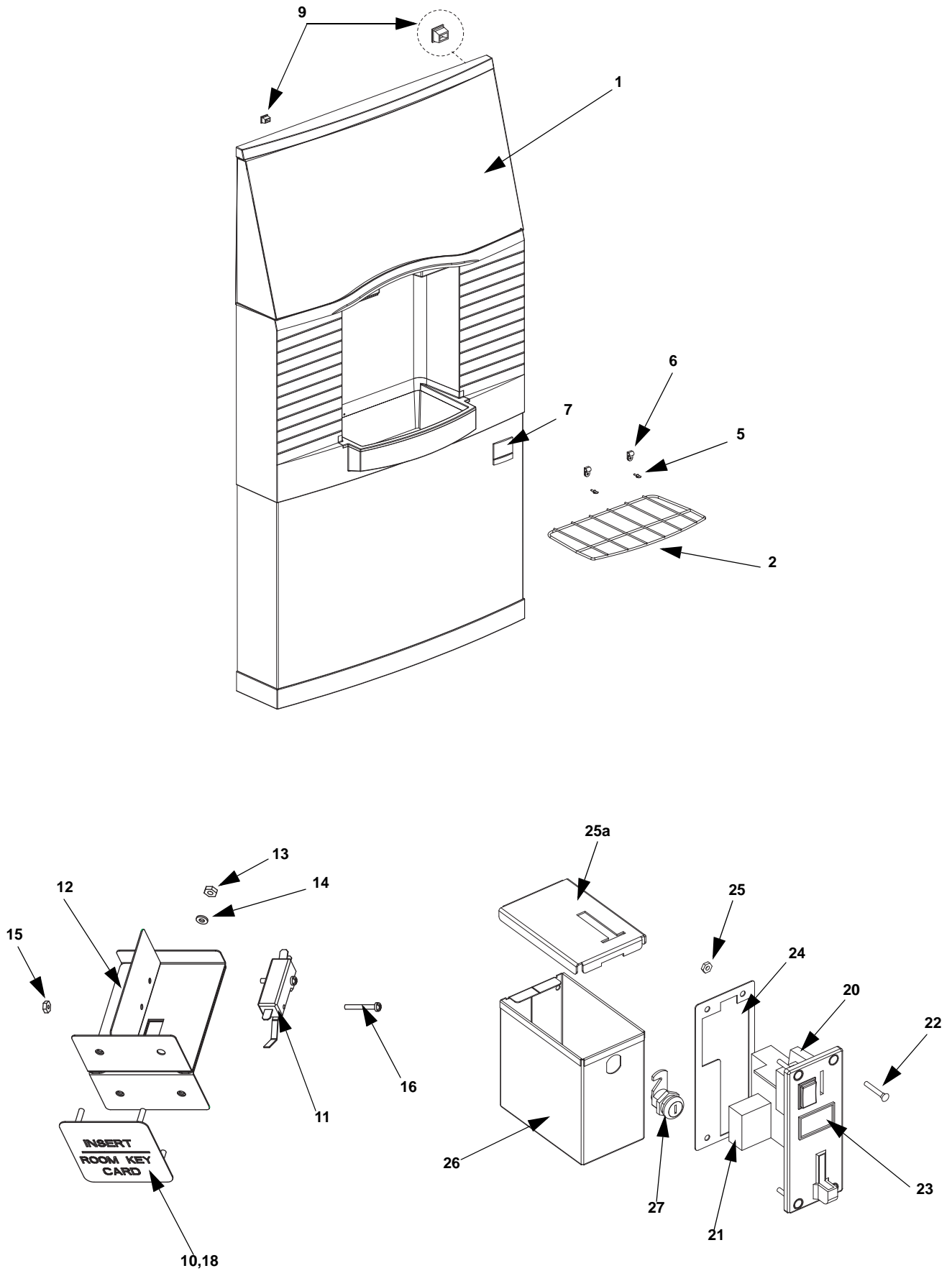
**SPA-160**

**SRA-164**

**SCA-163**

**SFA-191**

# SPA-160, SRA-164, SCA-163, SFA-191 DOOR ASSEMBLY

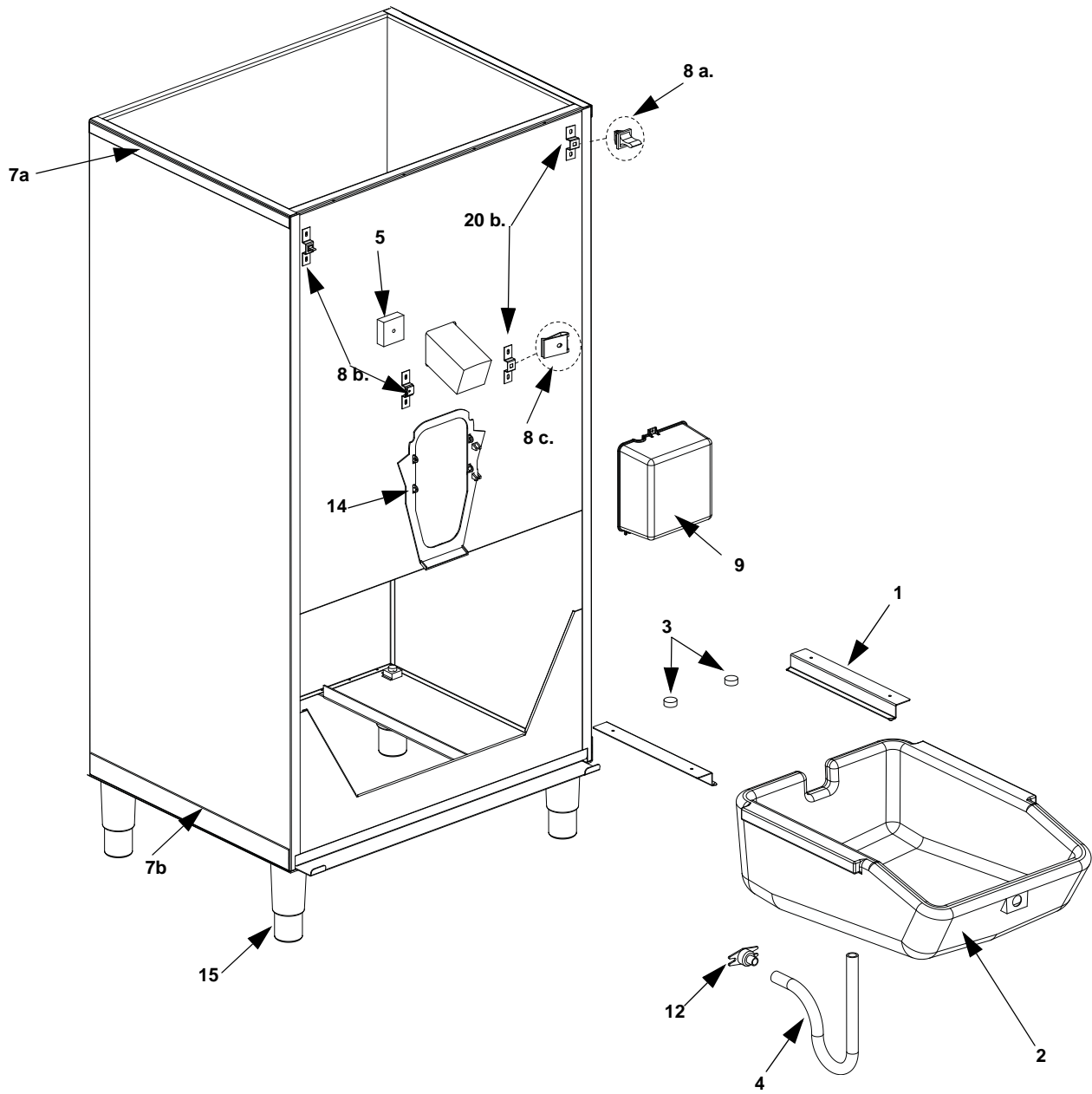


**SPA-160, SRA-164, SCA-163, SFA-191 DOOR ASSEMBLY, CONTINUED**

DESCRIPTION			PART NO.
		New Part	Old Part
1	<b>Main Door Assembly</b>		
	a. SPA-160 Rocking Chute . . . . .	5030394	000000202
	b. SCA-163 Coin Chute . . . . .	5030875	000000204
	c. SRA-164 Room Card . . . . .	5030876	000000205
	d. SFA-191 Push Button Glass Fill . . . . .	5030877	000000203
	e. Upper Door Panel . . . . .	5030238	000000241
	f. Lower Door Panel . . . . .	5030237	000000242
2	Wire Grill . . . . .	5029519	000000208
3	<b>Water Fill Valve</b> (not shown) . . . . .	202-FN-SLB-B	000000209
	a. Bracket Water Fill Valve . . . . .	5011281	000000210
	b. Arm . . . . .	51606	000000558
	c. Lever Retainer Clip . . . . .	51700	000001024
	d. Water Inlet Fitting . . . . .	1360961	
	e. Water Inlet Wing Adapter . . . . .	8706093	
	f. Elbow w/Nut . . . . .	1701150	
	g. Nylon Washer (inside elbow) . . . . .	1701113	
	h. Hose (6 feet) . . . . .	5008816	
4	Wiring Harness		
	a. 115V . . . . .	5029448	000000213
	b. 220V . . . . .	5029447	000000214
<b>SPA-160, SRA-164, SFA-191, Miscellaneous – Brackets, Screws, etc.</b>			
5	Thumbscrew 8 x 1/2" type A . . . . .	5008075	9750083
6	Clamp 1/4" Grid Black . . . . .	5007667	9750093
7	Label Manitowoc Logo . . . . .	same	8130013
	a. Snowflake Logo . . . . .	same	8130003
8	Carton Assembly (without pallet) . . . . .	5008131	9750643
	a. Carton Pallet . . . . .	5008132	
9	Door Attachment Fastener Latch . . . . .	00217721	000000211
<b>SRA-164</b>			
10	Plate Front . . . . .	5008217	9750803
11	Switch. . . . .	020003076	9750813
12	Bracket . . . . .	5008270	9750823
13	Nut 8-32 Hex SS . . . . .	0902103	9750833
14	Washer Star #8 SS . . . . .	0901915	9750843
15	Nut 6-32 Kept HH SS . . . . .	88000087	9750853
16	Screw 6-32 x 1" SS PH RH MS . . . . .	0900901	9750863
17	Wiring Harness (not shown) . . . . .	5008594	000000212
18	Insert Card Label . . . . .	5008455	9750883
19	Wiring Diagram Label (SRA-164) (not shown)		
	a. 115V . . . . .	5029412	000000228
	b. 220/240V. . . . .	5029428	000000255
<b>SCA-163</b>			
20	Coin Mechanism with Microswitch . . . . .	5008313	9750563
21	Timer, Coin Mechanism 115V . . . . .	5008325	9750573
	Timer, Coin Mechanism 230V . . . . .	5009453	9750603
22	Bolt Carriage 8-32 x 1" Black . . . . .	5008370	9750783
23	Coin Mechanism Label. . . . .	5009899	9750763
24	Plate . . . . .	5008379	9750773
25	Nut Kept 42 . . . . .	00201803	9750743
26	Coin Box. . . . .	5030562	000000215
	a. Coin Box Cover. . . . .	5030561	000000216
27	Box Lock . . . . .	same	9750733

† Refer to Cross Reference Guide

# SPA-160, SRA-164, SFA-291, SCA-163, SFA-191 CABINET ASSEMBLY

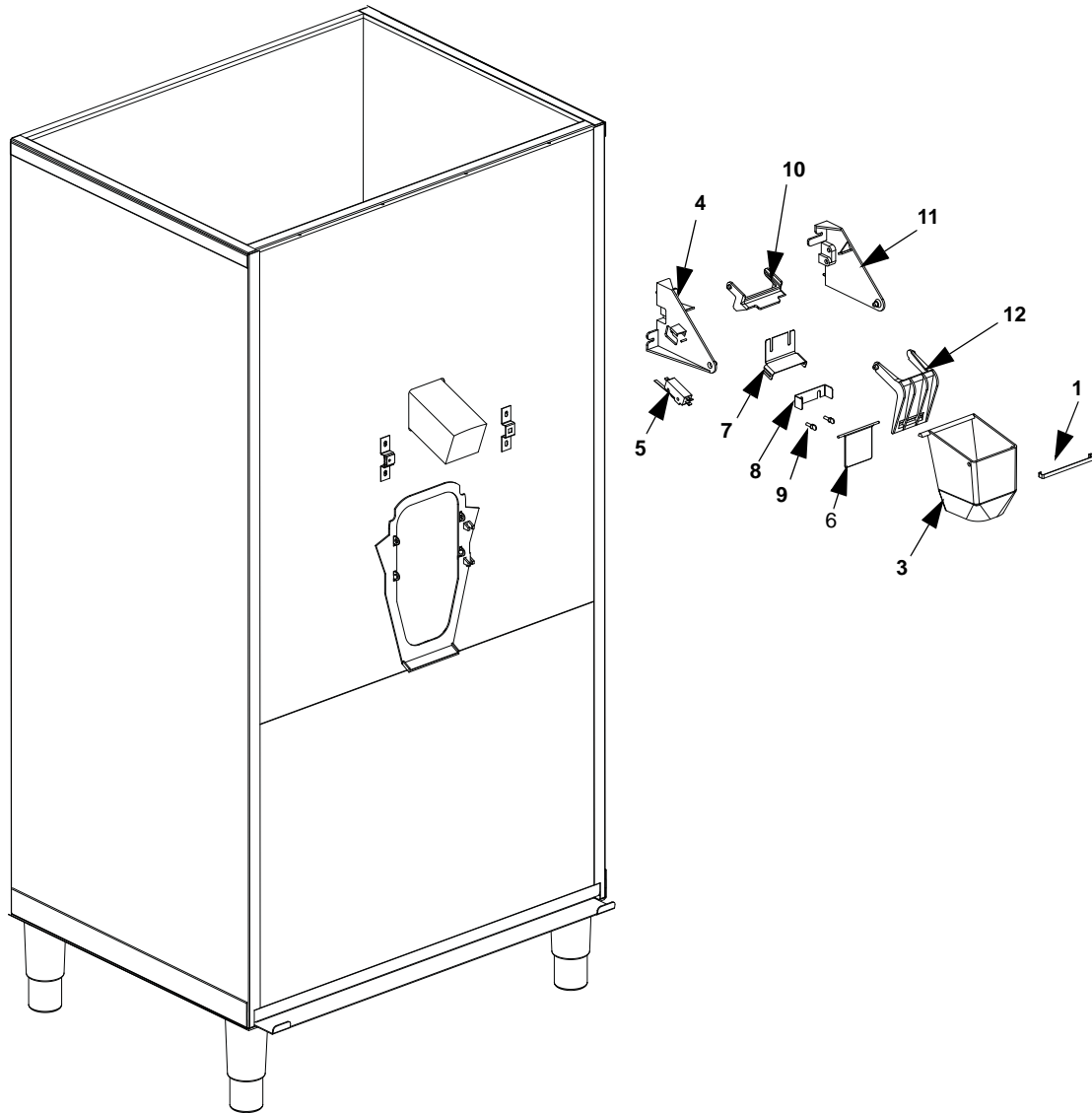


**SPA-160, SRA-164, SCA-163, SFA-191 CABINET ASSEMBLY, CONTINUED**

DESCRIPTION		PART NO.
	New Part	Old Part
<b>SPA-160, SRA-164, SFA-191, SCA-163 Drain Pan Assembly</b>		
1 Bracket Drainpan Support .....	5029691	000000223
2 Drain Pan Assembly.....	5029307	000000225
3 Drain Pan Stops .....	5014120	NA
4 Tubing Drain w/Insulation.....	5010341	000000226
a. Drain Strainer .....	5013878	NA
<b>SPA-160, SRA-164, SFA-191, SCA-163 Electrical</b>		
5 Timer Agitation .....	020000222	020000222
6 Label Wiring Diagram.....	5029412	000000228
<b>SPA-160, SRA-164, SFA-191, SCA-163 Miscellaneous – Brackets, Screws, etc.</b>		
7 Trim Decorative		
a. Top .....	020004140	000000229
b. Bottom.....	020004139	000000256
8 Front Door Attachment		
a. Fastener Strike .....	00217722	000000230
b. Bracket Strike .....	5029694	000000231
c. Clip .....	0900240	000000232
9 Cover Electrical Box.....	5008116	9750523
10 Box RC Electrical .....	5008115	9750533
11 Cord Electrical (not shown) .....	5008642	000000244
12 Fitting 1/2" Brass .....	same	8706083
13 Baffle (not shown) .....	same	K00348
14 Motor Pin Retaining Bracket .....	5010220	† 9750659
15 Legs .....	5030236	000000236

† Refer to Cross Reference Guide

**SPA-160, SRA-164, SFA-291, SCA-163, SFA-191 ROCKING CHUTE ASSEMBLY  
BEFORE SERIAL NUMBER 610065166**



**DESCRIPTION**

**PART NO.**

**New Part**

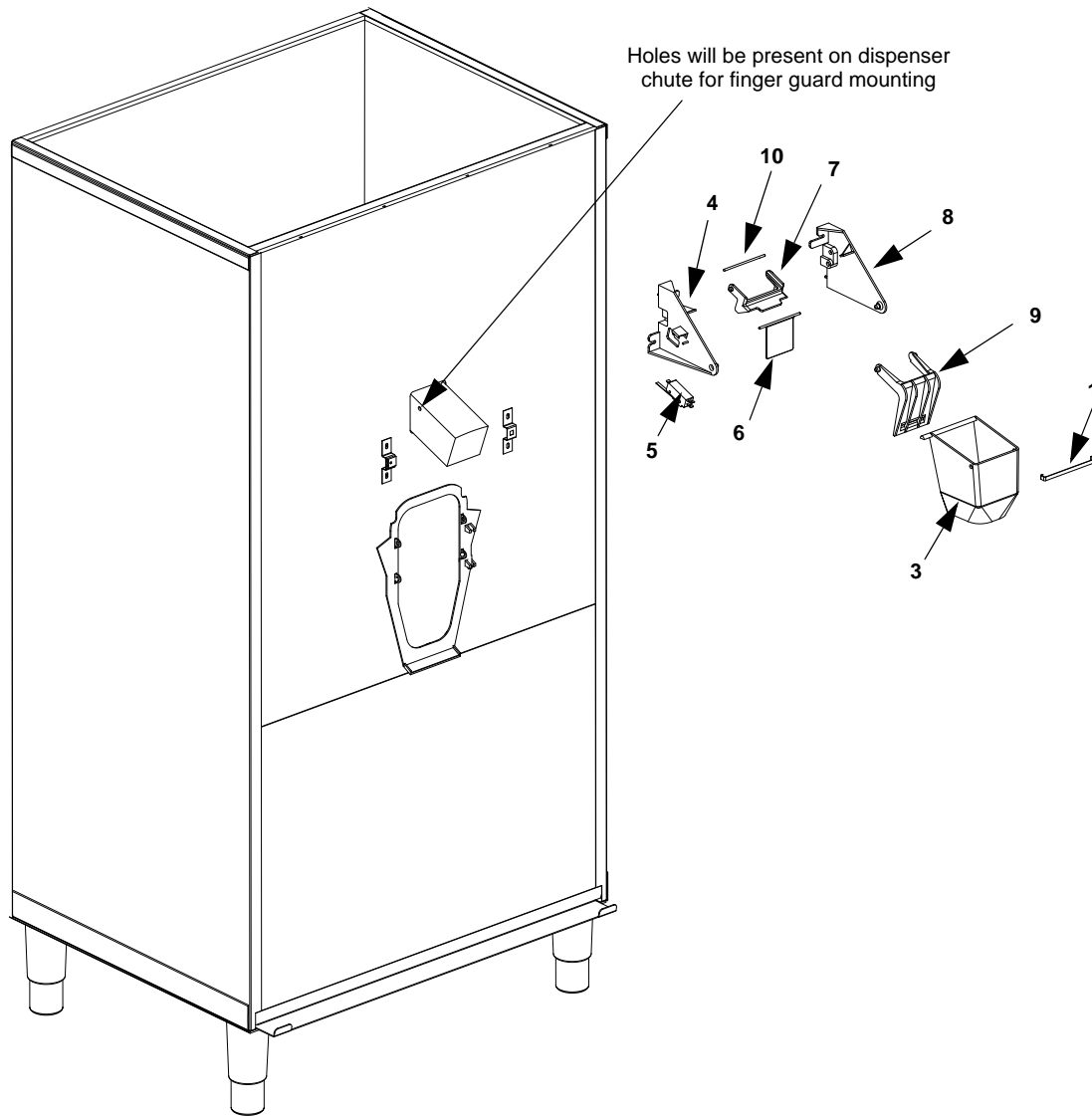
**Old Part**

**ROCKING CHUTE ASSEMBLY**

1	Bracket Rocking Chute Outer . . . . .	5031384	9550113
2	Label "Push For Ice" . . . . .	5008636	00000243
3	Rocking Chute . . . . .	5007355	9750133
4	Bracket Rocking Chute Door Left Hand - Kit includes both sides	020002673	9750143
5	Microswitch . . . . .	1000703	9750153
6	Door Finger Guard . . . . .	5011788	00000220
7	Retainer Guard . . . . .	5007662	9750173
8	Retainer Door . . . . .	5008112	9750183
9	Screw #8-32 x 1/2" Knurl w/o Slot . . . . .	5008402	00000222
10	Lock Rocking Chute Door . . . . .	5002509	9750203
11	Bracket Rocking Chute Door Right Hand - Kit includes both sides	020002673	9750213
12	Door Rocking Chute . . . . .	5002508	9750223

† Refer to Cross Reference Guide

**SPA-160, SRA-164, SFA-291, SCA-163, SFA-191 ROCKING CHUTE ASSEMBLY  
AFTER SERIAL NUMBER 610065166**



**DESCRIPTION**

**PART NO.**

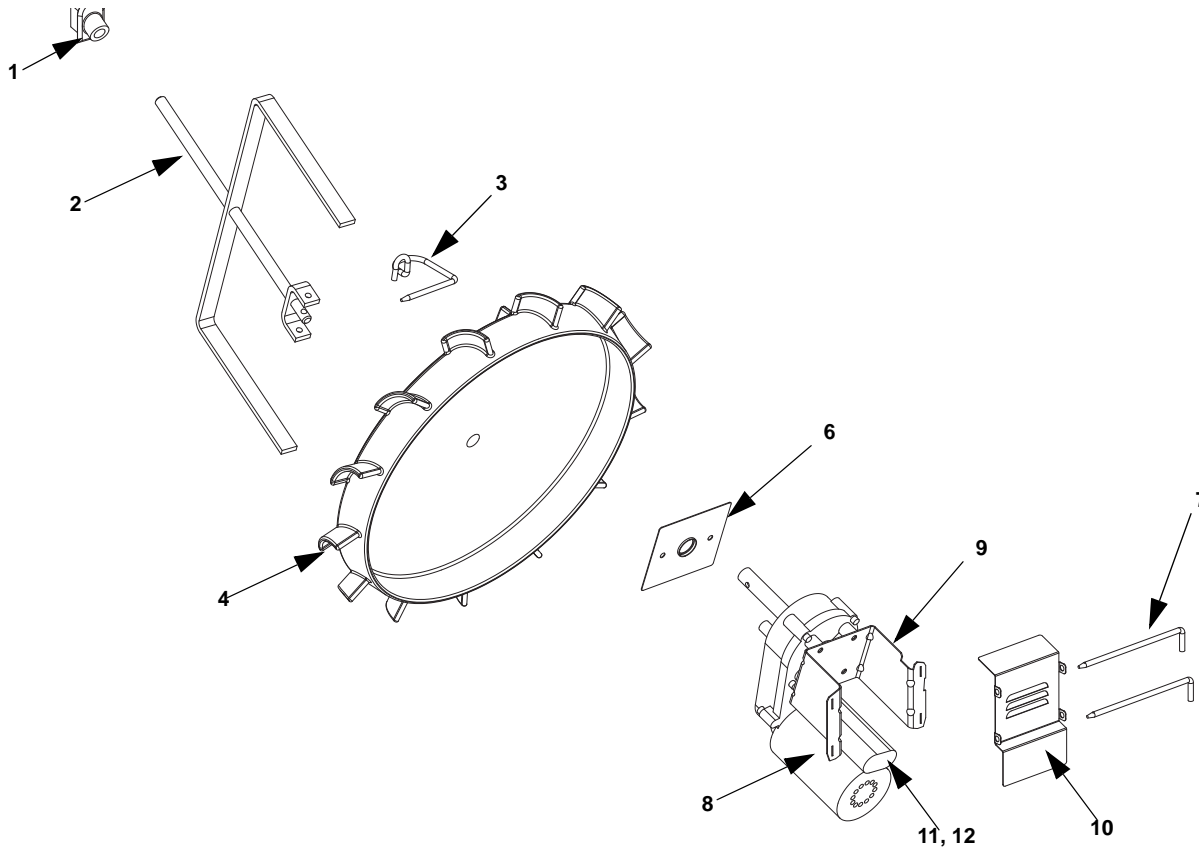
**ROCKING CHUTE ASSEMBLY**

	<b>New Part</b>	<b>Old Part</b>
1 Bracket Rocking Chute Outer . . . . .	5031384	9550113
2 Label "Push For Ice". . . . .	5008636	00000243
3 Rocking Chute . . . . .	5007355	9750133
4 Bracket Rocking Chute Door Left Hand - Kit includes both sides	020002673	9750143
5 Microswitch . . . . .	1000703	9750153
6 Door Finger Guard . . . . .	020002334	NA
7 Lock Rocking Chute Door . . . . .	5002509	9750203
8 Bracket Rocking Chute Door Right Hand - Kit includes both sides	020002673	9750213
9 Door Rocking Chute. . . . .	5002508	9750223
10 Door Rod . . . . .	020002389	NA

† Refer to Cross Reference Guide

# SPA-160, SRA-164, SFA-291, SCA-163, SFA-191 PADDLE WHEEL ASSEMBLY

Before Serial Number 610050366



## DESCRIPTION

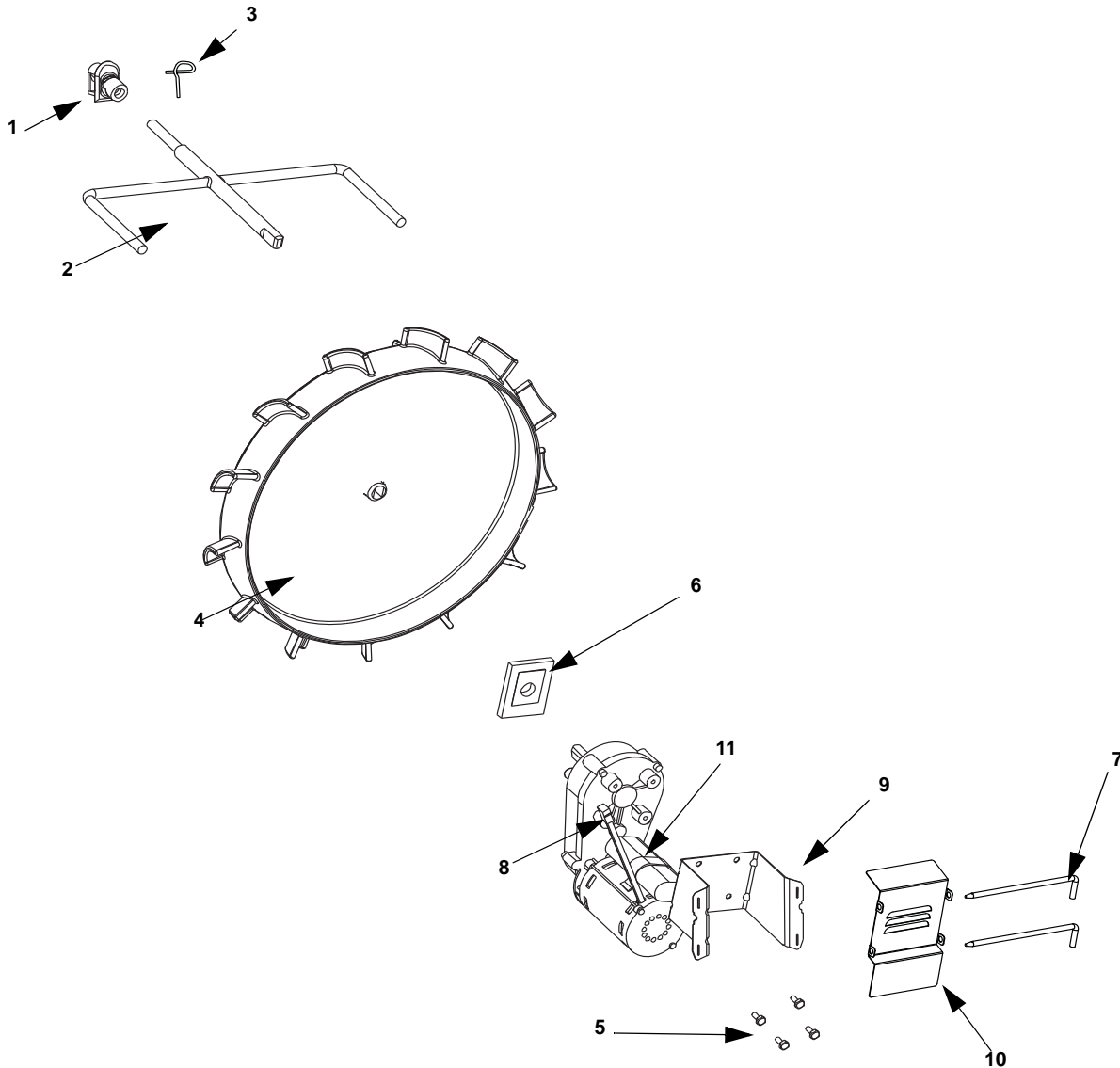
## PART NO.

		New Part	Old Part
1	Mushroom Bushing . . . . .	0101702	9750363
2	Agitator . . . . .	5009529	9750549
3	Pin 9.75 SS Agitator Removal . . . . .	5010452	00000237
4	Paddle Wheel . . . . .	2601415	00000238
5	Bolt 1/4 -20 x 5/8" SS HHCS . . . . .	0900601	9750403
6	Motor Insulator . . . . .	5030254	00000239
7	Pin Retaining . . . . .	4140023	9750433
8	Motor/Reducer AO-62		
	a. 115V/60 Hz . . . . .	020003650	9750443
	b. 220-240V/50-60 Hz . . . . .	5000869	9750553
9	Motor Mount . . . . .	5001776	9750453
10	Gearbox Shield . . . . .	No Longer Available	
11	Capacitor - Von Weise Motor		
	a. 115V/60Hz . . . . .	5008877	9750613
	b. 220/240V 50-60Hz . . . . .	5008398	9750583
12	Capacitor - Bison Motor		
	a. 115V/60Hz . . . . .	020002950	
	b. 220/240V 50-60Hz . . . . .	020002951	
13	Oil Seal Kit . . . . .	020003438	



# SPA-160, SRA-164, SFA-291, SCA-163, SFA-191 PADDLE WHEEL ASSEMBLY

After Serial Number 610050366



## DESCRIPTION

## PART NO.

1	Mushroom Bushing . . . . .	020001418
2	Agitator . . . . .	020002113
3	Pin 9.75 SS Agitator Removal . . . . .	020002668
4	Paddle Wheel . . . . .	020001423
5	Bolt 1/4 -20 x 5/8" SS HHCS . . . . .	0900601
6	Motor Insulator . . . . .	020001424
7	Pin Retaining . . . . .	4140023
8	Motor/Reducer AO-62	
	a. 115V/60 Hz . . . . .	020003596
	b. 220-240V/50-60 Hz. . . . .	020001517
9	Motor Mount . . . . .	5001776
10	Gearbox Shield . . . . .	No Longer Available
11	Capacitor	
	a. 115v . . . . .	020002950
	b. 230v . . . . .	020002951
12	Oil Seal Kit . . . . .	020003438