

## Fresh Living Tip

Refrigerated drawers are sturdy, easy-to-organize solutions for tall drinks, stacked cans and even food.

## FINISH OPTIONS



## 24" Marvel Outdoor Refrigerated Drawers

MODR224

### Storage Adaptability

- 5.0 cu. ft. capacity stores (108) 12-oz cans in two large-capacity roller-glide drawers
- Adjustable grip divider included in top drawer to organize and secure contents

### Cooling Performance

- Designed for outdoor use
- Dynamic cooling technology delivers rapid cool down, frost-free operation and precise temperature stability
- Thermal-efficient cabinet insulates cooling environment and conserves energy while maximizing capacity
- Sound-buffering design

### Convenient Controls

- Multifunction controls allow you to select a precise temperature from 34° F to 60° F
- Features easy-to-use settings and options

### Fit & Finish

- Drawer interior durably constructed from stainless steel, the most hygienic, easy-to-clean and stain-resistant of materials
- Efficient arctic white LED lighting brightly illuminates interior for better viewing of contents
- Corrosion-resistant stainless steel exterior, sturdy pro-style handle and rugged stainless steel toe kick
- Stainless steel toe kick adjustable to 4" with leveling legs
- Door lock provides added safety and security

### Warranty

- 1-year parts and labor warranty and 5-year sealed system parts warranty



*Store as many as 108 cans in two large-capacity roller-glide drawers. Marvel Refrigerated Drawers offer maximum storage capacity within easy reach and include a convenient quick-grip divider to organize contents.*

#### DOOR STYLE

Solid Stainless Steel

#### MODEL NUMBER

MODR224-SS71A



Precise temp control

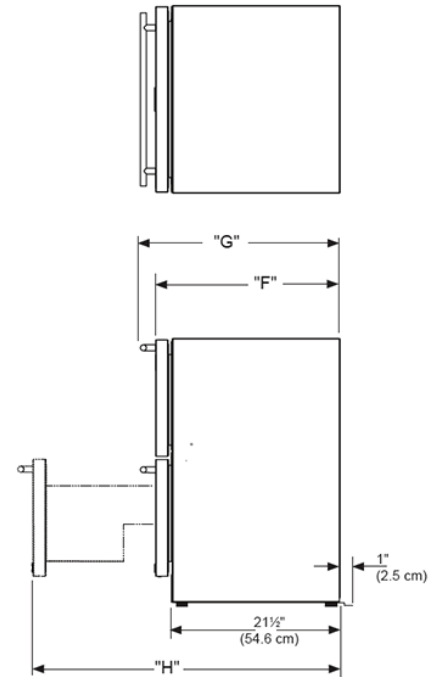
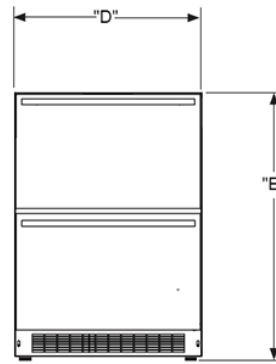
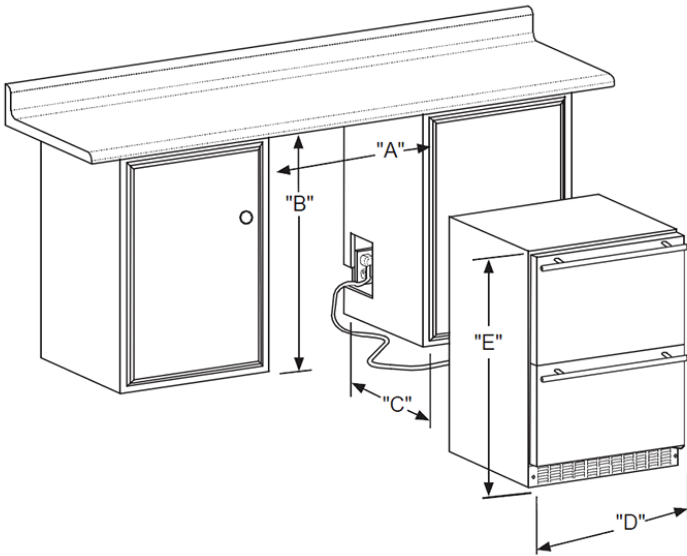
Adjustable drawer dividers

Arctic white lighting

Corrosion resistant, thermal-efficient cabinet



H: 33 3/4" W: 23 7/8" D: 26 7/32" (with handle)



**Rough In Dimensions**

"A"	"B"	"C"
24"	34-1/4" to 35-1/4"	24"
(61 CM)	(87 CM to 89.5 CM)	(61 CM)

**Cabinet Dimensions**

"D"	"E"	"F"	"G"	"H"	"J"
23-7/8"	33-5/8" TO 34-5/8"	23-5/8"	26-1/8"	47-3/4"	26-1/2"
(60.7 CM)	(85.4 CM TO 87.9 CM)	(60 CM)	(66.3 CM)	(146.6 CM)	(67.3 CM)

<b>Capacity</b>	5.0 CU. FT.
<b>Control Type</b>	Electronic
<b>Sabbath Mode</b>	Yes
<b>Temperature Range</b>	34° F to 60° F
<b>Handle Style</b>	Professional
<b>Door Swing</b>	N/A
<b>Interior Lighting</b>	White LED
<b>Shelving System</b>	Roller-Glide Drawers
<b>Toe Grille Finish</b>	Stainless Steel

<b>Lock</b>	Yes
<b>Electrical Requirements</b>	115V / 60 Hz / 15A
<b>Cord Length</b>	6 FT.
<b>Shipping Dimensions</b>	28" W x 31" D x 37" H
<b>Shipping Weight</b>	160 LBS
<b>Agency Approval</b>	UL
<b>Refrigerant Type</b>	R600a

For comprehensive installation instructions, please visit [marvelrefrigeration.com](http://marvelrefrigeration.com) to access the owner's guide.

